

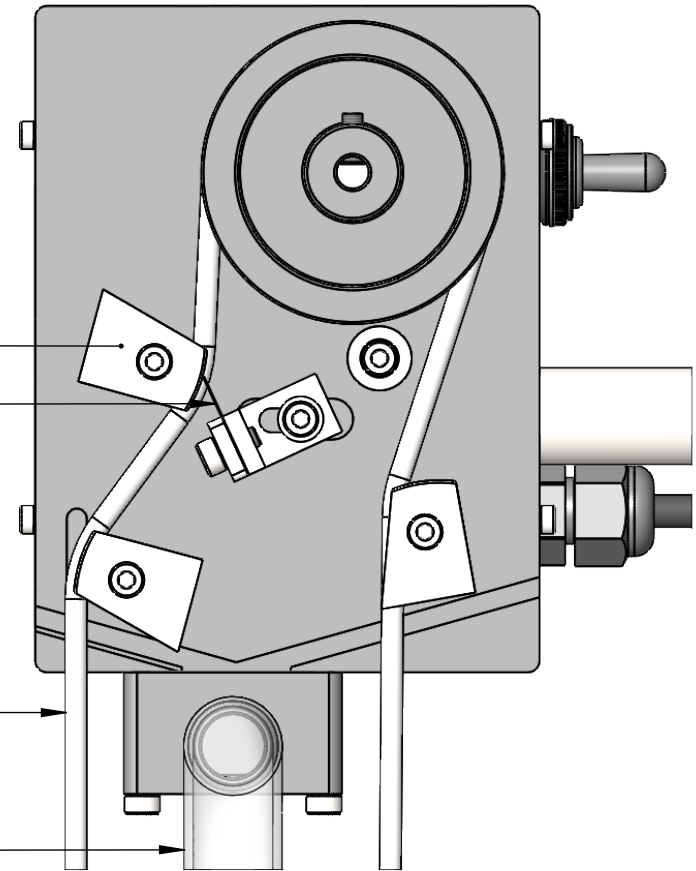
OS-15 Guide (QTY 3)

OS-18 Wiper

Keep wipers and guides
free of fines and debris.

OS-40-40 Loop Conveyor
40" Standard Length
Custom lengths are available.

OS-33-23.5 Discharge Tube
23.5" Standard Length
Custom lengths are available.



DESCRIPTION:
OIL SKIMMER REPAIR INSTRUCTIONS

EDCO USA
270 SEEBOLD SPUR
FENTON, MO 63026
PH: +1 (636) 349-2632
www.EDCOUSA.net

SIZE A	PART NO. OS-110V - REPAIR	REV
SCALE 1:1.5	DO NOT SCALE	SHEET 1 of 1