



## Technical specification

### Code of protection categories

ATEX: I M2, (not aluminium) Ex d IMb, Ex e I Mb  
II 2GD, Ex d IIC Gb, Ex e IIC Gb, Ex tb IIIC Db IP6X

IECEX: Ex d I Mb, Ex e I Mb (not aluminium), Ex d IIC Gb Ex e IIC Gb,  
Ex tb IIIC Db IP6X

### Compliance standards

ATEX: EN 60079-0, EN 60079-1, EN 60079-7, EN 60079-31

IECEX: IEC 60079-0, IEC 60079-1, IEC 60079-7, IEC 61241-1

### Certificate details

ATEX: Sira 10ATEX1056U

IECEX: IECEX SIR 10.0025U

### Temperature

The item is classified as a component and therefore metallic products are not given an operating temperature range

### Ingress protection (IP):

Independently tested to IP66 / IP68 when fitted in accordance to manufacturer's instructions

### Part number:

Please refer to page 10 for part numbering system

## Features

- International Ex approvals
- IP66, IP68
- Available in brass, stainless steel and mild steel

## Benefits

- Provides means of connection where space is limited
- Used to change size/threadform of connection device
- Maintains Ex certification while matching threadforms

## Materials

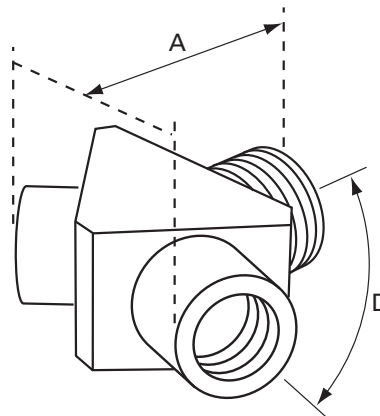
- Brass CZ121
- 316 stainless steel
- Mild steel

## Threadforms

- Metric

## Plating options

- Electroless nickel
- Zinc
- Others on application



## Dimensions of Metric Versions

Size	A	Angle between entries (D)
M20	70.00	120° each
M25	80.00	120° each
M32	85.00	120° each