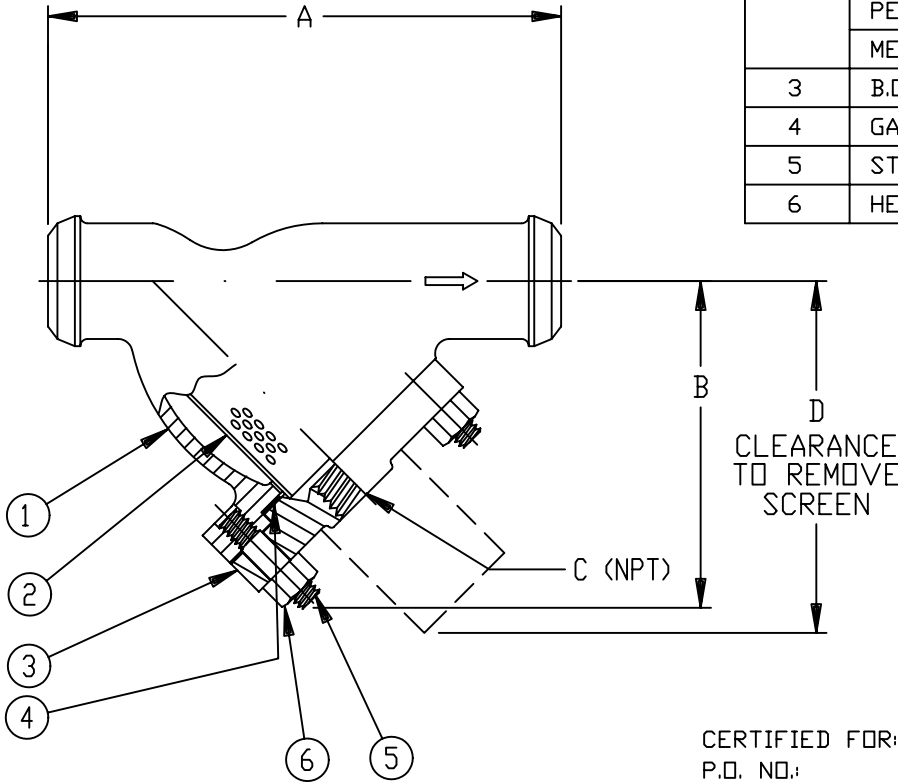


| NO. | PART NAME | MATERIAL |
|-----|-------------|------------------------|
| 1 | BODY | CSTL ASTM A216 GR. WCB |
| 2 | SCREEN | |
| | PERF. DIA. | |
| | MESH | |
| 3 | B.O. FLANGE | CSTL ASTM A216 GR. WCB |
| 4 | GASKET | NON-ASBESTOS |
| 5 | STUD | STEEL ASTM A193 GR. B7 |
| 6 | HEX NUT | STEEL ASTM A194 GR. 2H |



NOTES:

1. INLET/OUTLET B.W.E CONNECTIONS SCH STD. WGT. BORE.
2. BOLT HOLES STRADDLE CENTERLINE.
3. SIZES 6" TO 10" HAVE FLAT FACE B.O. FLANGE. SMALLER SIZES HAVE RECESSED SEAL AS SHOWN.
4. SIZES 1/2" TO 1-1/4" HAVE 2 BOLT OVAL B.O. FLANGES.
5. SIZES 2" TO 4" HAVE 4 BOLT SQUARE B.O. FLANGES.
6. ALL OTHERS HAVE CIRCULAR B.O. FLANGES.
7. PRESSURE RATING: 285 PSI @ 100° F (19.6 BAR @ 37.8° C)

CERTIFIED FOR:
P.O. NO.:
REG. NO.:
TAG NO.:

QUOTE NO.:

| PIPE SIZE (NOMINAL) | DIMENSIONS | | | | | | WEIGHT (APPROX.) (DRY) | | PART NO. | | |
|------------------------|------------|-----|-------|-----|----------|------|------------------------------|-----|----------|-------|---------------|
| | A | | B | | C (NOM.) | | D | | | LBS. | KGS. |
| | IN. | MM. | IN. | MM. | IN. | MM. | IN. | MM. | | | |
| 1/2" (15mm) | 5.00 | 127 | 2.75 | 70 | 3/8 | (10) | 3.50 | 89 | 5 | 2.3 | SY085005BB30A |
| 3/4" (20mm) | 5.63 | 143 | 3.00 | 76 | 3/8 | (10) | 4.00 | 102 | 7 | 3.2 | SY085007BB30A |
| 1" (25mm) | 6.38 | 162 | 3.62 | 92 | 1/2 | (15) | 5.00 | 127 | 9 | 4.1 | SY085010BB30A |
| 1-1/4" (32mm) | 7.25 | 184 | 4.25 | 108 | 3/4 | (20) | 5.75 | 146 | 14 | 6.3 | SY085012BB30A |
| 1-1/2" (40mm) | 8.88 | 226 | 5.75 | 146 | 3/4 | (20) | 6.50 | 165 | 18 | 8.2 | SY085015BB30A |
| 2" (50mm) | 7.88 | 200 | 6.00 | 152 | 1 | (25) | 8.25 | 210 | 16 | 7.3 | SY085020BB30A |
| 2-1/2" (65mm) | 9.75 | 248 | 6.50 | 165 | 1 | (25) | 9.25 | 235 | 25 | 11.4 | SY085025BB30A |
| 3" (80mm) | 10.00 | 254 | 7.25 | 184 | 1-1/4 | (32) | 10.50 | 267 | 35 | 16.0 | SY085030BB30A |
| 4" (100mm) | 12.13 | 308 | 9.75 | 248 | 1-1/2 | (40) | 14.75 | 375 | 70 | 31.8 | SY085040BB30A |
| 6" (150mm) | 18.50 | 470 | 14.25 | 362 | 2 | (50) | 21.00 | 533 | 130 | 59.1 | SY085060BB30A |
| 8" (200mm) | 21.63 | 549 | 18.00 | 457 | 2 | (50) | 26.75 | 679 | 240 | 109.1 | SY085080BB30A |
| 10" (250mm) | 26.00 | 660 | 22.25 | 565 | 2 | (50) | 33.75 | 857 | 300 | 136.4 | SY085100BB30A |

| | | | | | | | |
|-------|--------|---|--------|-------|----|------|--------|
| | | EATON FILTRATION, LLC 900 FAIRMOUNT AVENUE, ELIZABETH, NEW JERSEY 07207 | | | | | |
| | | NAME MODEL 85 Y-STRAINER 150# BUTTWELD END CONNECTIONS SIZES 1/2" THRU 10" CARBON STEEL | | | | | |
| DRAWN | FM | DATE | 7/1/93 | CERT. | FC | DATE | 7/2/93 |
| SIZE | DWG NO | SD085276 | | | | REV | B |

UNAUTHORIZED USE, MANUFACTURE OR REPRODUCTION IN WHOLE OR IN PART IS PROHIBITED. DRAWING, DESIGN AND OTHER DISCLOSURES PROPERTY OF EATON FILTRATION, LLC

ELECTRONIC FILE NAME: SD085276.DWG
REF. ECR D507 DATE 11/1/05