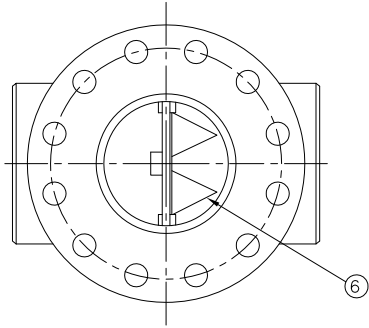
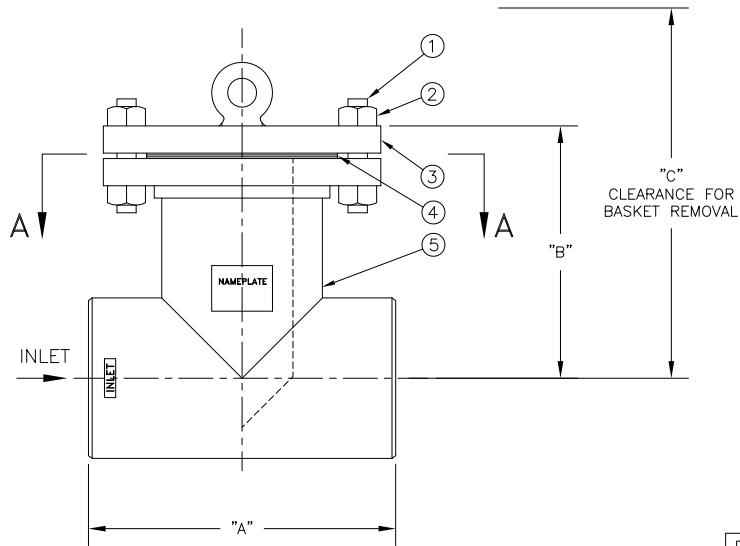


PIPE SIZE (NOMINAL)	DIMENSIONS			APPROX. WEIGHT (DRY) LBS. (KGS)	PART NO.
	"A"	"B"	"C"		
	IN. (MM)	IN. (MM)	IN. (MM)		
14 (350mm)	22.00 / 559	17.50 / 445	42.00 / 1067	438 / 198.7	ST091140BB3BA
16 (400mm)	24.00 / 610	18.56 / 471	45.00 / 1143	538 / 244.0	ST091160BB3BA
18 (450mm)	27.00 / 686	20.75 / 527	50.00 / 1270	710 / 322.1	ST091180BB3BA
20 (500mm)	30.00 / 762	22.50 / 572	55.00 / 1397	860 / 390.1	ST091200BB3BA
24 (600mm)	34.00 / 864	25.00 / 635	62.00 / 1575	1335 / 605.5	ST091240BB3BA

REVISIONS				
REV	DESCRIPTION	BY	ECO	DATE
C	UPDATE TITLE BLOCK	FM	0104921	11/24/2014




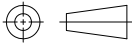
SECT. A-A



NO.	PART NAME	MATERIAL
1	STUDS	ASTM A193 GR. B7
2	NUTS	ASTM A194 GR. 2H
3	COVER	CARBON STEEL
4	GASKET	NON-ASBESTOS
5	BODY	CARBON STEEL
6	BASKET	316 SSSL
	PERF. / MESH	

NOTES:

1. STRAINER IS DESIGNED AND FABRICATED IN ACCORDANCE WITH ASME B31.1 POWER PIPING CODE.
2. ALL DIMENSIONS ON IN INCHES / MM.
3. ALL FITTINGS CONFORM TO ASME STANDARD.
4. DESIGN PRESSURE: 150 PSIG @ 150°F
(10.3 BAR @ 65.6°C)

DRAWN BY FM		 HYDRAULICS GROUP FILTRATION DIVISION GALESBURG, MICHIGAN, USA • TINTON FALLS, NEW JERSEY, USA			
SCALE AS DRAWN					
RESTRICTION RESTRICTED		TITLE MODEL 91 TEE STRAINER BOLTED COVER SIZES 14" TO 24" 150# BWE CONNECTION CARBON STEEL			
SHEET 1 OF 1		DATE 11/5/97	SIZE A	DWG FILENAME SD091BC11	REV C
PROJECTION THIRD ANGLE 		EATON CORPORATION - CONFIDENTIAL AND PROPRIETARY NOTICE TO PERSONS RECEIVING THIS DRAWING AND/OR TECHNICAL INFORMATION. THIS DOCUMENT, INCLUDING THE DRAWING AND INFORMATION CONTAINED THEREON IS CONFIDENTIAL AND IS THE EXCLUSIVE PROPERTY OF EATON AT ANY TIME. BY TAKING THE POSSESSION OF THIS DOCUMENT THE RECIPIENT ACKNOWLEDGES AND AGREES THAT THIS DOCUMENT CANNOT BE USED IN ANY MANNER ADVERSE TO THE INTEREST OF EATON AND THAT NO PORTION OF THIS DRAWING MAY BE COPIED OR OTHERWISE REPRODUCED WITHOUT THE PRIOR WRITTEN CONSENT OF EATON, IN THE CASE OF CONFLICTING CONTRACTUAL PROVISIONS, THIS NOTICE SHALL GOVERN THE STATUS OF THIS DOCUMENT. 2014 EATON CORPORATION - ALL RIGHTS RESERVED.			

CUSTOMER INFO	
NAME	
P.O. NO.	
TAG NO.	
S.O. NO.	
PART NO.	SEE TABLE