

Plastic hoses for pneumatic



- Different versions
- PUR - thereby higher flexibility
- PA for higher pressure range
- PTFE for higher temperatures
- PE for standard applications

Synthetic hoses made from polyurethane (PUR), polyamide (PA soft) and polyethylene are durable at room temperature against water and oil. They are especially suitable for compressed air piping. They are available in 50 and 100 meter rolls.

The life span depends on the intensity of the ambient temperature and the operational pressure.

PTFE-hoses are suitable for high temperatures and against aggressive and respectively corrosive mediums; food industry suitable; only available in 50 meter rolls.

Technical data – bench mark for load factor

Temperature °C	Load factor of the permitted operational pressure (%) in relation to the Temperature (°C)		
	PUR	PA	PE
20	100	100	100
40	75	68	75
60	63	51	60
80	43	38	-
90	40	35	-
95	35	33	-

Technical data – bench mark for load factor

Temperature °C	Pressure factor %
	PTFE
≤20%	100
50	87
75	77
100	68
150	53
200	39
250	28

Other versions on request

Ordering chart, PUR synthetic hose, (Shore 98+/-2), temperature range -40 °C to +85 °C

Dimensions D _A , D _P , W _D	max. Operation pressure at 23 °C [bar]	min. curvature radius R _{min} [mm]	Dimensions [g/m]	Roll length 50 m		Roll length 100 m	
				Item no. Colour blue	Item no. Colour black	Item no. Colour blue	Item no. Colour black
4 / 2 / 1	23	20	11.0	780 630	780 631	771 860	771 863
6 / 4 / 1	14	30	19.0	780 632	780 633	771 287	771 286
8 / 6 / 1	10	35	27.0	780 634	780 635	771 288	771 864
10 / 8 / 1	7	50	34.0	780 636	780 637	771 861	771 865
12 / 10 / 1	5	80	41.8	-	780 639	771 862	771 866

Tolerance: +0.05 to -0.1 mm ±0.08 mm permissible curvature radius ≥ R_{min}

Ordering chart, PA 12 flexible, temperature range -40 °C to +90 °C

Dimensions D _A , D _P , W _D	max. Operation pressure at 23 °C [bar]	min. curvature radius R _{min} [mm]	Dimensions [g/m]	Roll length 50 m			Roll length 100 m		
				Item no. Colour blue	Item no. Colour natural	Item no. Colour black	Item no. Colour blue	Item no. Colour natural	Item no. Colour black
4 / 2.5 / 0.75	45	20	10	780 640	780 642	780 641	771 867	771 876	771 872
6 / 4 / 1	27	25	16	780 643	780 645	780 644	771 868	771 296	771 295
8 / 6 / 1	19	30	23	780 646	780 648	780 647	771 869	771 297	771 873
10 / 8 / 1	15	60	30	780 649	780 651	780 650	771 870	771 877	771 874
12 / 10 / 1	12	85	36	780 652	780 654	780 653	771 871	771 878	771 875

Tolerance: +0.05 to -0.1 mm ±0.08 mm permissible curvature radius ≥ R_{min}

Ordering chart, LDPE synthetic hose, temperature range -30 °C to +70 °C

Dimensions D _A , D _P , W _D	max. Operation pressure at 23 °C [bar]	min. curvature radius R _{min} [mm]	Dimensions [g/m]	Roll length 50 m			Roll length 100 m		
				Item no. Colour blue	Item no. Colour natural	Item no. Colour black	Item no. Colour blue	Item no. Colour natural	Item no. Colour black
4 / 2 / 1	17	20	9	780 655	780 657	780 656	771 879	771 886	771 881
6 / 4 / 1	10	30	14	780 658	780 660	780 659	771 289	771 290	771 882
8 / 6 / 1	7	30	20	780 661	780 663	780 662	771 291	771 292	771 883
10 / 8 / 1	5.6	40	26	780 664	780 666	780 665	771 293	771 294	771 884
12 / 10 / 1	4.5	60	31	780 667	780 669	780 668	771 880	771 887	771 885

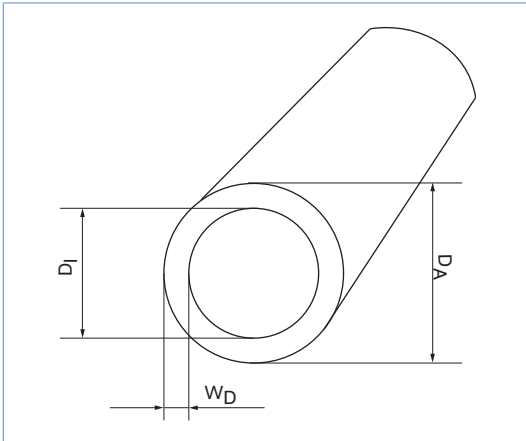
Tolerance: D_A ±0.1 mm; ±0.1 mm permissible curvature radius ≥ R_{min}

Ordering chart, PTFE hose, temperature range -196 °C to +250 °C

Dimensions D _A , D _P , W _D	max. Operation pressure at 20 °C [bar]	min. curvature radius R _{min} [mm]	Dimensions [g/m]	Roll length 50 m
				Item no. Colour natural
4 / 2 / 1	20	8	2.05	788 879
6 / 4 / 1	12	18	3.43	788 880
8 / 6 / 1	8.5	32	4.80	788 881
10 / 8 / 1	6.5	50	6.16	788 882
12 / 10 / 1	5.5	72	7.55	788 883

Tolerance: ±0.2 mm

Dimensions



To find your nearest Bürkert facility, click on the orange box →

www.burkert.com