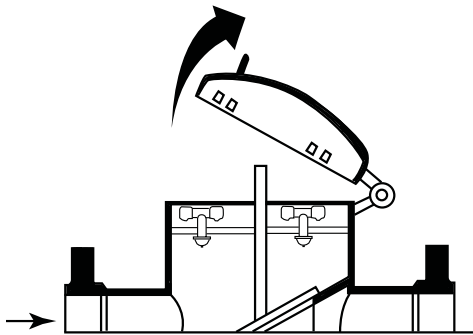
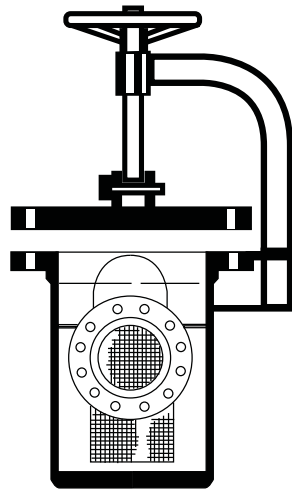


Configuration Options



QUICK OPEN BOLTED SLIDE HINGE

The slide hinge in medium size ranges (8"-16") permits a single operator to engage the hinge and open the cover.

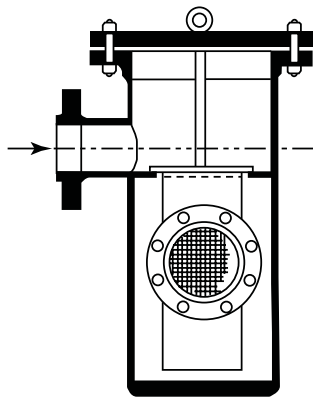


INTEGRAL COVER LIFT DAVIT

The cover lift davit can reduce any cover lift process to a one-man operation.

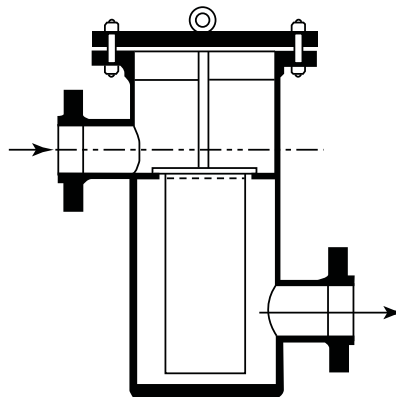
Cover Openings

The process of removing and replacing strainer access covers can result in costly maintenance or safety issues. In sizes larger than eight inches, the cover can easily exceed 150 pounds, which may require additional personnel or equipment. To eliminate the risks associated with this process, Eaton developed the Integral Davit and Bolted Slide Hinge designs.



ROTATED NOZZLES

Right angle design can eliminate the requirement for an elbow in the downstream piping.



OFFSET NOZZLES

By lowering or raising either nozzle, serious alignment and support problems can be avoided.

Nozzle Placement

Fabricated strainers are available with many nozzle design options to adapt to existing or planned piping schemes.

Steam Jacket Option

Custom fabricated simplex basket and T strainers in all sizes are available with an optional carbon steel or 316 stainless steel steam jacket, rated for service up to 450°F. The steam jacket keeps the strainer at the high temperatures required to transport heavy, viscous fluids without affecting the function or normal maintenance of the strainer.



Powering Business Worldwide