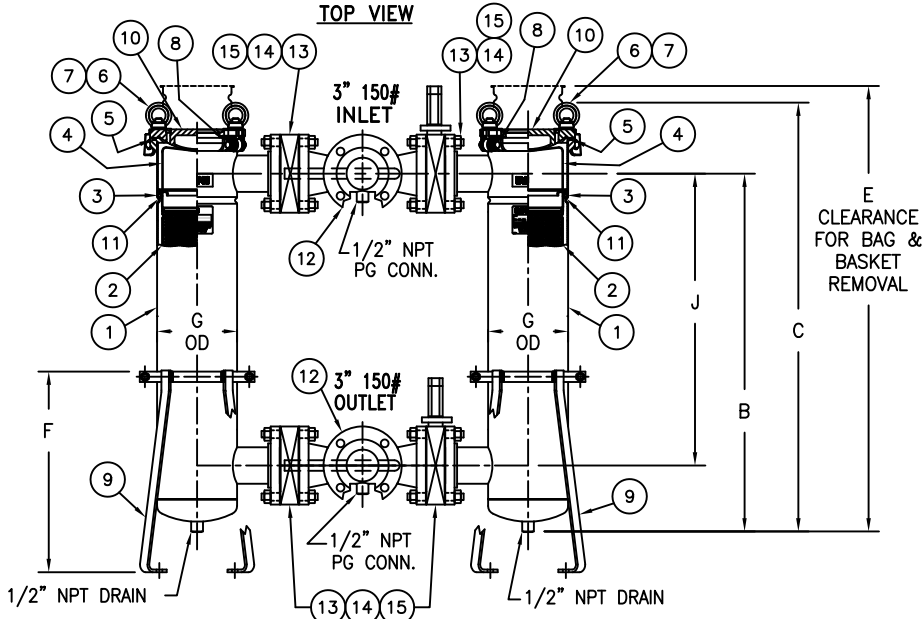
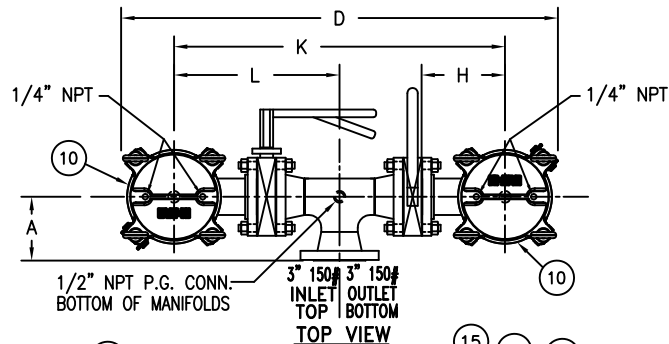
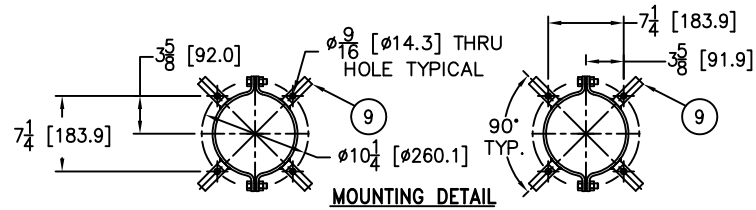


ITEM NUMBER	BAG SIZE	A IN. / MM	B IN. / MM	C IN. / MM	D IN. / MM	E IN. / MM	F IN. / MM	G IN. / MM	H IN. / MM	J IN. / MM	K IN. / MM	L IN. / MM	WEIGHT LBS / KGS
F3AVFB00431	O2	6-1/8 / 155.6	34-5/16 / 871.5	41-1/4 / 1047.7	42 / 1066.8	69 / 1752.6	19-1/4 / 489	7-11/16 / 195	8 / 203.2	28 / 711.2	31-3/4 / 806.4	15-7/8 / 403.2	256 / 116

REVISIONS

REV	DESCRIPTION	BY	ECO	DATE
A	NEW ISSUE	FJM	0085475	05/22/13



NO.	PART NAME	MATERIAL
1	BODY	316 STAINLESS STEEL
2	RESTRAINER BASKET P/N L0001753	316 STAINLESS STEEL
3	ADAPTOR O-RING P/N 811441	BUNA-N
4	BAG HOLD DOWN	316 STAINLESS STEEL
5	COVER O-RING P/N 811445	BUNA-N
6	EYE BOLT	STEEL, ZINC PLATED
7	EYE NUT	STEEL, ZINC PLATED
8	PIN	STAINLESS STEEL
9	ADJUSTABLE LEGS	CSTL EPOXY COATED
10	COVER	316 STAINLESS STEEL
11	ADAPTOR PLATE	316 STAINLESS STEEL
12	INLET/OUTLET MANIFOLDS 3"-150#	316 STAINLESS STEEL
13	MANIFOLD STUDS	SA193-B7 ZINC PLATED
14	MANIFOLD NUTS	SA194-2H ZINC PLATED
15	BUTTERFLY VALVE 3" 150# WAFER STYLE	DUCTILE IRON BODY SSTL DISC & STEM EPDM OR BUNA-N SEAT

NOTES:

1. INLET/OUTLET 3" 150# CONNECTIONS PER ANSI B16.5
2. MAWP: 150 PSI @ 250° F MDMT: -20° F @ 150 PSI  
(10.3 BAR @ 121.1° C) (-28.9° C @ 10.3 BAR)
3. DIMENSIONS SHOWN IN [ ] ARE IN MILLIMETERS AND FOR REFERENCE ONLY. ACCEPTANCE OF THIS PART WILL BE BASED ON "INCH" UNITS & TOLERANCES ONLY.

**TOLERANCES (UNLESS OTHERWISE SPECIFIED)**

DECIMAL:	.X ± .030
	.XX ± .010
	.XXX ± .005
FRACTIONAL:	± 1/16
NOZZLE Ø TO FLOOR:	± 1/8" < 4' > ± 1/4"
FACE TO FACE:	± 1/8" < 4' > ± 1/4"
ANGULAR:	± 1°
FLANGES (H/V):	± 1/2"
VESSEL OVERALL HT:	± 1"

BOLT HOLES MUST STRADDLE Ø MACHINED PARTS TO BE FREE OF BURRS FOR ADDITIONAL TOLERANCE DETAILS REF. ES-211, ES-222 AND ES-223

REVIEWED FOR CLASSIFICATION PER PR-4  
 CRITICAL SIGNIFICANT

CUSTOMER INFO

NAME	
P.O. NO.	
S.O. NO.	
QUANTITY	
PART NO.	F3AVFB00431

DRAWN BY FJM		VESSEL CODE: DFBF-0102-AB10-030A-VAL		
SCALE AS DRAWN		EATON FILTRATION, LLC DESIGN CENTER TINTON FALLS, NEW JERSEY, USA PORTAGE, MICHIGAN, USA		
RESTRICTION RESTRICTION		TITLE FLOWLINE (DFBF) DUPLEX FILTER VESSEL 3"-150# RF FLANGED CONNECTIONS (SS-316) W/MANIFOLDS & BUTTERFLY VALVES		
SHEET 1 OF 1		DATE 05/22/13	SIZE A	DWG FILENAME DFBF03-XSV
PROJECTION THIRD ANGLE		REV A	<small>EATON CORPORATION - CONFIDENTIAL AND PROPRIETARY NOTICE TO PERSONS RECEIVING THIS DRAWING AND/OR TECHNICAL INFORMATION THIS DOCUMENT, INCLUDING THE DRAWING AND INFORMATION CONTAINED THEREON IS CONFIDENTIAL AND IS THE EXCLUSIVE PROPERTY OF EATON AT ANY TIME. BY TAKING THE POSSESSION OF THIS DOCUMENT THE RECIPIENT ACKNOWLEDGES AND AGREES THAT THIS DOCUMENT CANNOT BE USED IN ANY MANNER ADVERSE TO THE INTEREST OF EATON AND THAT NO PORTION OF THIS DRAWING MAY BE COPIED OR OTHERWISE REPRODUCED WITHOUT THE PRIOR WRITTEN CONSENT OF EATON, IN THE CASE OF CONFLICT CONTRACTUAL PROVISIONS, THIS NOTICE SHALL GOVERN THE STATUS OF THIS DOCUMENT. 2013 EATON CORPORATION - ALL RIGHTS RESERVED.</small>	