

# McGill™ 8600 AUTO-LOC Cord Reels

**NEC/CEC:**  
Listed for Ordinary Locations

## Applications

- Weather-tight, dust-tight construction for heavy-duty industrial applications.
- Ideal for hoists, electric tools, and moving equipment.

## Features

- Corrosion resistant.
- Sufficient spring tension to provide no more than 10% sag when cable is stretched horizontally.
- Fully adjustable four roller cable guide to minimize cable wear.
- Long life, self-contained mainspring.
- Furnished with black SO cable 3 and 4 conductors.
- Models available with and without handlamp.
- Removable ratchet for application flexibility.
- 30 Amp, 600 V modular collector ring designed for long service life.
- 330° pivot bases available.
- 1" NPT line entry in junction box.



## Standard Materials

- Aluminum die cast/yellow polyester powder coat

## NEC/CEC Certifications and Compliances

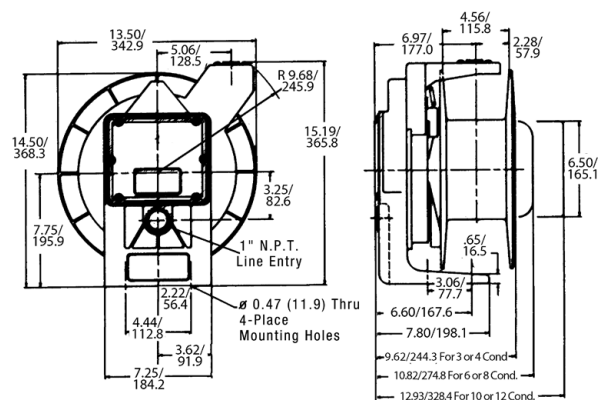
- UL Listed: E53326
- UL Standard: 355
- CSA Approved
- NEMA 4

SO Cord Type	Rating ①	Catalog Numbers				
		15.2 m (50') Cord	13.7 m (45') Cord	10.7 m (35') Cord	9.1 m (30') Cord	7.6 m (25') Cord
16/4	7 Amp	<b>8638</b>	—	—	<b>8634</b>	—
16/3	9 Amp	<b>8628</b>	—	—	—	—
14/4	11 Amp	—	<b>8667</b>	—	—	<b>8663</b>
14/3	13 Amp	<b>8658</b>	—	—	—	—
12/4	14 Amp	—	—	—	<b>8694</b>	—
12/3	18 Amp	—	—	<b>8685</b>	—	—

## Accessories and Replacement Parts

Description	Catalog Number
Ball stop for 8600 series cord reels (sold separately)	<b>8600-001</b>

## Dimensions in Millimeters (Inches)



① Cord reel with handlamp rated at 125 Vac.