



Type 3232 can be combined with...



Type 2030
Version with
pneumatic actuator



Type 2031
Version with
pneumatic actuator

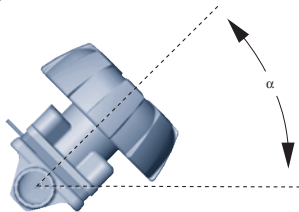
Manually operated 2 way Diaphragm Valve with plastic body

- Flow optimized and deadleg free bodies
- Hermetical separation of fluids from the operating mechanism by diaphragm
- Manual actuator in plastic
- Plastic bodies with true union, solvent socket, weld ends or flanges
- Suitable for aggressive and corrosive media

Manually-operated diaphragm valves in compact model consisting of plastic bodies, diaphragm seal, PPS bonnet and PPS handwheel. The diaphragm is both a switching element and a seal element towards the outside, and is easily replaced. The flow can be continually adjusted with the handwheel. The valves have no dead volume and can be mounted to be self-draining.

Installation for self-draining operation

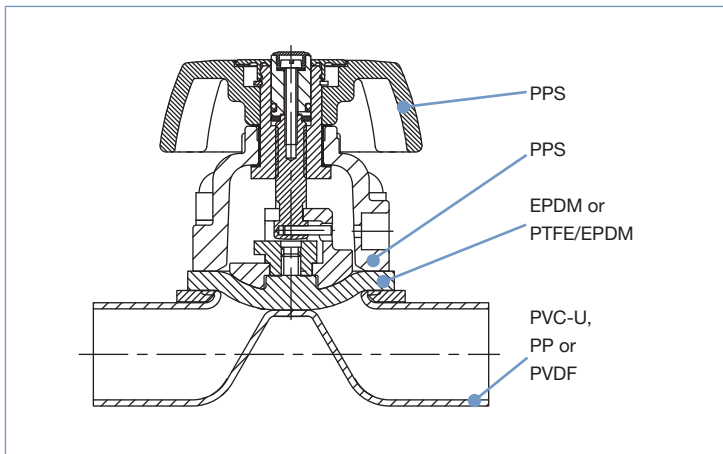
$\alpha = 15$ to 30° plus 3° to 5° inclination to pipe axis



Technical data	
Orifice (diaphragm size)	DN15...50 (65...100 on request)
Body materials	PVC-U, PP, PVDF
Actuator material	PPS manual actuator and bonnet
Seal material	EPDM, PTFE/EPDM (FKM on request)
Medium	Neutral or aggressive medium
Viscosity	Up to viscous
Medium temperature ¹⁾	See chart on p. 2
Ambient temperature	-10 to +60 °C
Port connections	DN15...50: True union and spigot connections
Installation	As required
Installation for self draining	Tilted 5...30° to the horizontal and inclined 3...5° to the flow direction (see drawing)
Options (on request)	Locking function


¹⁾ The permissible nominal pressure falls with increasing medium temperature (see Pressure-temperature chart)

Materials



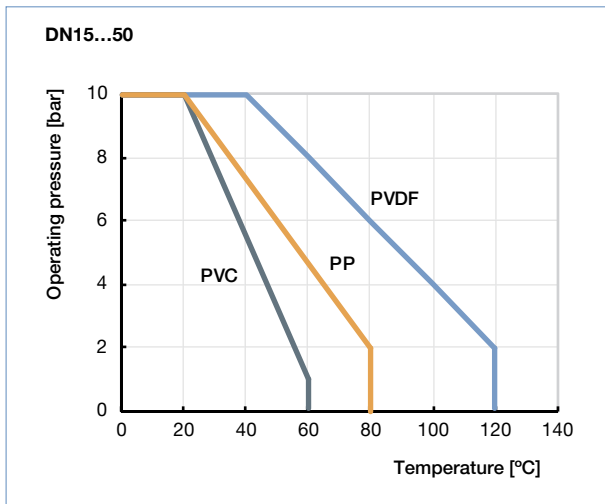
Approvals

Suitable for foodstuffs

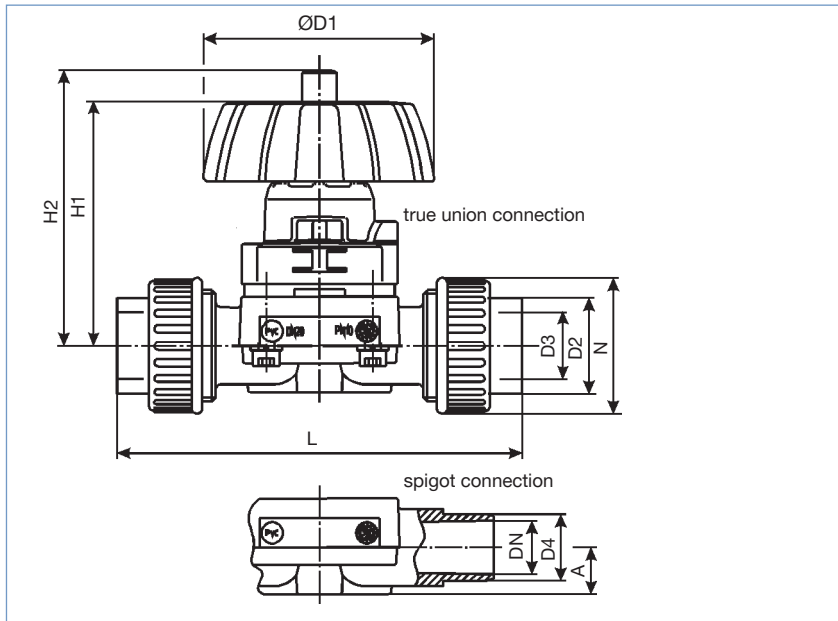
-  The composition of the EPDM and PTFE/EPDM diaphragms corresponds to the *Code of Federal Regulations*, published by the *FDA* (Food and Drug Administration, USA).

Medium temperature

Pressure/temperature compatibility chart



Dimensions [mm]



All versions				True union connection				Spigot connection		
Orifice [mm] (diaphragm size)	Ø D1	H1	H2	D2	D3	L	N	A	D4	L
15	86	84	92	28	20	128	41	14	20	124
20	86	92	102	36	25	152	51	17.5	25	144
25	86	96	108	42	32	166	58	21	32	154
32	114	124	139	53	40	192	72	25.5	40	174
40	114	130	149	59	50	222	80	32.5	50	194
50	114	145	170	74	63	266	100	39	63	224

Ordering chart for valves (other versions on request)

All bonnets and handwheels are manufactured from PPS

Port connection [mm]	Orifice Diaphragm size [mm]	Orifice Diaphragm size [inch]	K _v value water [m ³ /h]	Pressure range at +20 °C [bar]	Item no. EPDM diaphragm	Item no. EPDM/PTFE diaphragm
Body in PVC						
True union connection						
20	15	½	3.5	0...10	296 103	144 764
25	20	¾	7.2	0...10	317 230	144 765
32	25	1	12.5	0...10	317 231	144 766
40	32	1 ¼	19.0	0...10	317 232	144 767
50	40	1 ½	28.0	0...10	317 233	144 768
63	50	2	40.0	0...7	317 234	144 769
Body in PP						
True union connection						
20	15	½	3.5	0...10	317 218	144 788
25	20	¾	7.2	0...10	317 219	144 789
32	25	1	12.5	0...10	317 220	144 790
40	32	1 ¼	19.0	0...10	317 221	144 791
50	40	1 ½	28.0	0...10	317 222	144 792
63	50	2	40.0	0...7	317 223	144 793
Spigot connection						
20	15	½	3.5	0...10	317 224	144 800
25	20	¾	7.2	0...10	317 225	144 801
32	25	1	12.5	0...10	317 226	144 802
40	32	1 ¼	19.0	0...10	317 227	144 803
50	40	1 ½	28.0	0...10	317 228	144 804
63	50	2	40.0	0...7	317 229	144 805
Body in PVDF						
True union connection						
20	15	½	3.5	0...10	317 206	144 812
25	20	¾	7.2	0...10	317 207	144 813
32	25	1	12.5	0...10	317 208	144 814
40	32	1 ¼	19.0	0...10	317 209	144 815
50	40	1 ½	28.0	0...10	317 210	144 816
63	50	2	40.0	0...7	317 211	144 817
Spigot connection						
20	15	½	3.5	0...10	317 212	144 824
25	20	¾	7.2	0...10	317 213	144 825
32	25	1	12.5	0...10	317 214	144 826
40	32	1 ¼	19.0	0...10	317 215	144 827
50	40	1 ½	28.0	0...10	317 216	144 828
63	50	2	40.0	0...7	317 217	144 829

Note: The permissible nominal pressure falls with increasing medium temperature (see Pressure-temperature chart next page).

i Further versions on request



Material
Sealing: FKM



Port connection
– Orifice 65...100
– PVC housing spigot



Additional
Versions with locking function

To find your nearest Bürkert facility, click on the orange box →

www.burkert.com

In case of special application conditions,
please consult for advice.

Subject to alteration.
© Christian Bürkert GmbH & Co. KG

1710/10_EU-en_00891912