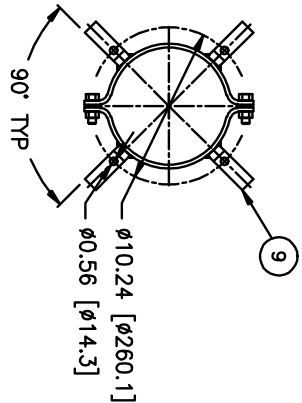
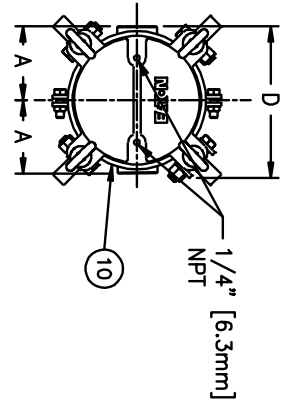


ITEM NUMBER	VESSEL CODE	BAG SIZE	A IN. / MM	B IN. / MM	C IN. / MM	D IN. / MM	E IN. / MM	F IN. / MM	G IN. / MM	FLOW RATE (GPM (MAX))	WEIGHT (LBS / KGS)
SBL101CS2NS0BSPO	FBF2-0101-CS10-020N-1	01	4.80 / 122	18.39 / 467	25.25 / 641	9.88 / 251	35.55 / 903	19.10 / 485	11.5 / 292	90	37 / 16.8
SBL102CS2NS0BSPO	FBF2-0102-CS10-020N-1	02	4.80 / 122	33.55 / 852	40.41 / 1026	9.88 / 251	66.50 / 1689	19.10 / 485	28.4 / 721	180	50 / 22.7

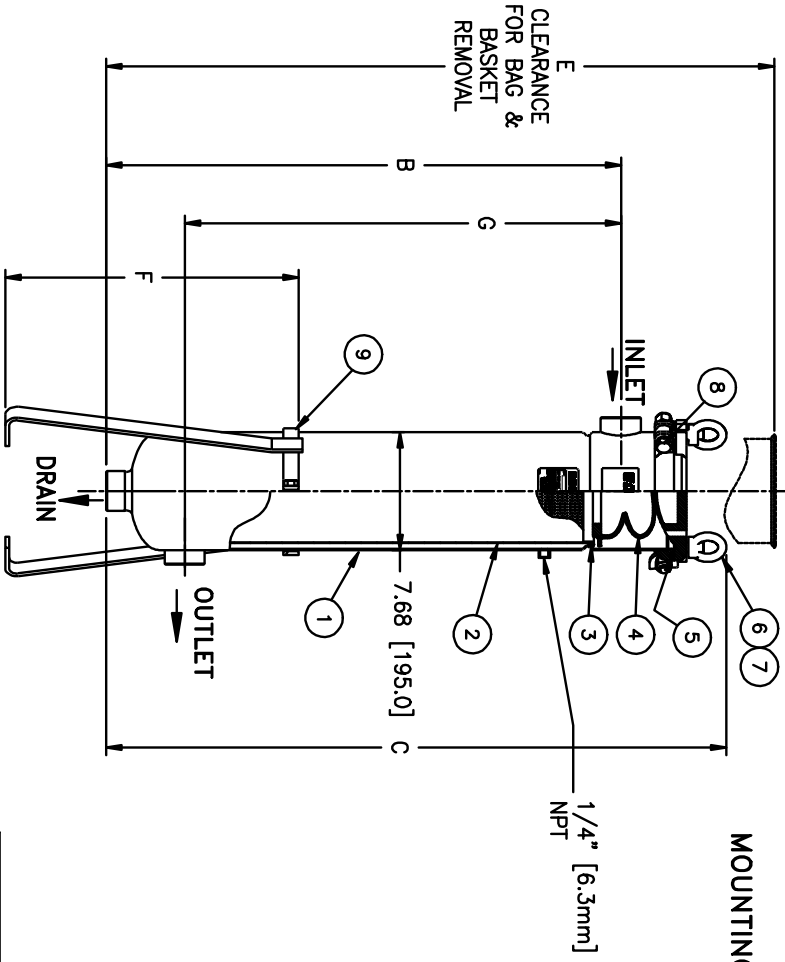


**MOUNTING DETAIL**

NO.	PART NAME	MATERIAL
1	BODY	CARBON STEEL
2	RESTRAINER BASKET	316 STAINLESS STEEL
3	BASKET O-RING	BUNA-N
4	BAG HOLD DOWN	KYNAR PUDF
5	O-RING	BUNA-N
6	EYE BOLT	STEEL, ZINC PLATED
7	EYE NUT	STEEL, ZINC PLATED
8	BOLT	STEEL, ZINC PLATED
9	LEGS	CARBON STEEL
10	COVER	CARBON STEEL

**NOTES:**

1. INLET/OUTLET/DRAIN ARE 2" NPTI CONNECTIONS
2. MAWP: 150 PSI @ 250° F (-20° F @ 150 PSI (10.3 BAR @ 121.1° C) (-28.9° C @ 10.3 BAR) MIDMT:
3. MAXIMUM OPERATING TEMP. 250° F (121.1° C)
4. PAINT C/STL. PER EATON SPECIFICATION ES-301.



ELECTRONIC FILE NAME: FBF211XC-DPS0.dwg  
 REF. EOR DATE 02/11/10  
 UNAUTHORIZED USE, MANUFACTURE OR REPRODUCTION IN WHOLE OR IN PART IS PROHIBITED. DRAWING, DESIGN AND OTHER DISCLOSURES PROPERTY OF EATON FILTRATION, LLC

		<b>EATON FILTRATION, LLC</b> 70 WOOD AVENUE SOUTH, ISELIN, NEW JERSEY 08830	
NAME: FLOWLINE II FILTER VESSEL 2" NPT THREADED CONNECTION CARBON STEEL		DRAWN: MAQ DATE: 02/11/10 CERT:	DATE:
SIZE: A DWG NO:	<b>FBF211XC-DPS0</b>		REV: A