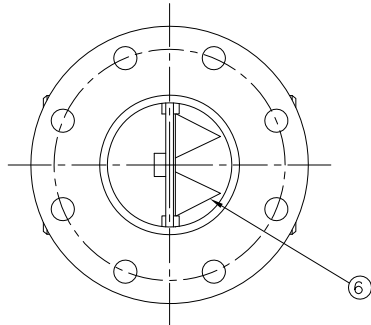
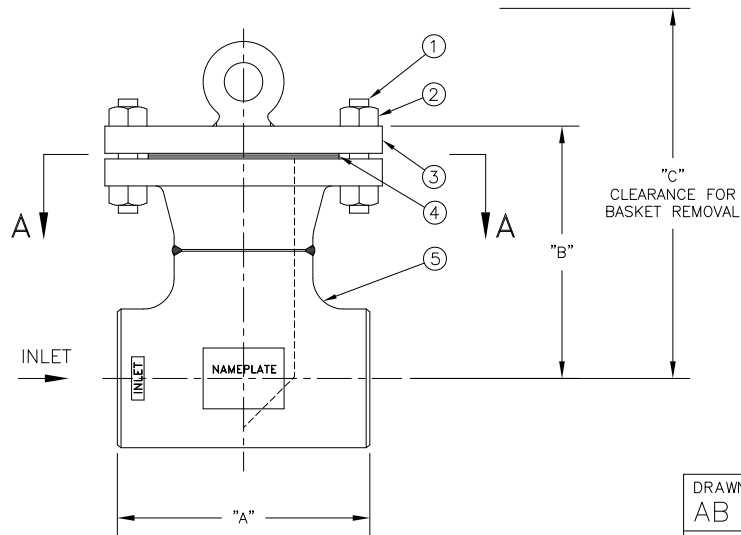


PIPE SIZE (NOMINAL)	DIMENSIONS			APPROX. WEIGHT (DRY) LBS. (KGS)	PART NO.
	"A"	"B"	"C"		
	IN. (MM)	IN. (MM)	IN. (MM)		
2 (50mm)	5.00 / 127	5.88 / 149	13.00 / 330	20 / 9.1	ST091020BB2BA
3 (80mm)	6.75 / 171	7.19 / 183	17.00 / 432	40 / 18.1	ST091030BB2BA
4 (100mm)	8.25 / 210	8.19 / 208	20.00 / 508	58 / 26.3	ST091040BB2BA
5 (125mm)	9.75 / 248	9.44 / 240	23.00 / 584	73 / 33.1	ST091050BB2BA
6 (150mm)	11.25 / 286	10.25 / 260	25.00 / 635	95 / 43.1	ST091060BB2BA
8 (200mm)	14.00 / 356	12.25 / 311	30.00 / 762	155 / 70.3	ST091080BB2BA
10 (250mm)	17.00 / 432	13.81 / 351	32.00 / 813	228 / 103.4	ST091100BB2BA
12 (300mm)	20.00 / 508	15.88 / 403	37.00 / 940	333 / 151.0	ST091120BB2BA

REVISIONS				
REV	DESCRIPTION	BY	ECO	DATE
F	UPDATE TITLE BLOCK	FM	0104921	11/24/2014




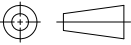
SECT. A-A



NO.	PART NAME	MATERIAL
1	STUDS	ASTM A193 GR. B7
2	NUTS	ASTM A194 GR. 2H
3	COVER	STAINLESS STEEL
4	GASKET	NON-ASBESTOS
5	BODY	STAINLESS STEEL
6	BASKET	316 SSTL
	PERF. / MESH	

NOTES:

1. STRAINER IS DESIGNED AND FABRICATED IN ACCORDANCE WITH ASME B31.1 POWER PIPING CODE.
2. ALL DIMENSIONS ON IN INCHES / MM.
3. ALL FITTINGS CONFORM TO ASME STANDARD.
4. DESIGN PRESSURE: 150 PSIG @ 150°F
(10.3 BAR @ 65.6°C)

DRAWN BY AB SCALE AS DRAWN	 HYDRAULICS GROUP FILTRATION DIVISION <small>GALESBURG, MICHIGAN, USA • TINTON FALLS, NEW JERSEY, USA</small>
RESTRICTION RESTRICTED	
SHEET 1 OF 1	TITLE MODEL 91 TEE STRAINER BOLTED COVER SIZES 2" TO 12" 150# BWE CONNECTION STAINLESS STEEL
PROJECTION THIRD ANGLE 	DATE 10/6/97
S.O. NO.	SIZE A
PART NO. SEE TABLE	DWG FILENAME SD091BC6
EATON CORPORATION - CONFIDENTIAL AND PROPRIETARY NOTICE TO PERSONS RECEIVING THIS DRAWING AND/OR TECHNICAL INFORMATION. THIS DOCUMENT, INCLUDING THE DRAWING AND INFORMATION CONTAINED THEREON IS CONFIDENTIAL AND IS THE EXCLUSIVE PROPERTY OF EATON AT ANY TIME. BY TAKING THE POSSESSION OF THIS DOCUMENT THE RECIPIENT ACKNOWLEDGES AND AGREES THAT THIS DOCUMENT CANNOT BE USED IN ANY MANNER ADVERSE TO THE INTEREST OF EATON AND THAT NO PORTION OF THIS DRAWING MAY BE COPIED OR OTHERWISE REPRODUCED WITHOUT THE PRIOR WRITTEN CONSENT OF EATON, IN THE CASE OF CONFLICTING CONTRACTUAL PROVISIONS, THIS NOTICE SHALL GOVERN THE STATUS OF THIS DOCUMENT. 2014 EATON CORPORATION - ALL RIGHTS RESERVED.	

CUSTOMER INFO	
NAME	
P.O. NO.	
TAG NO.	
S.O. NO.	
PART NO.	SEE TABLE