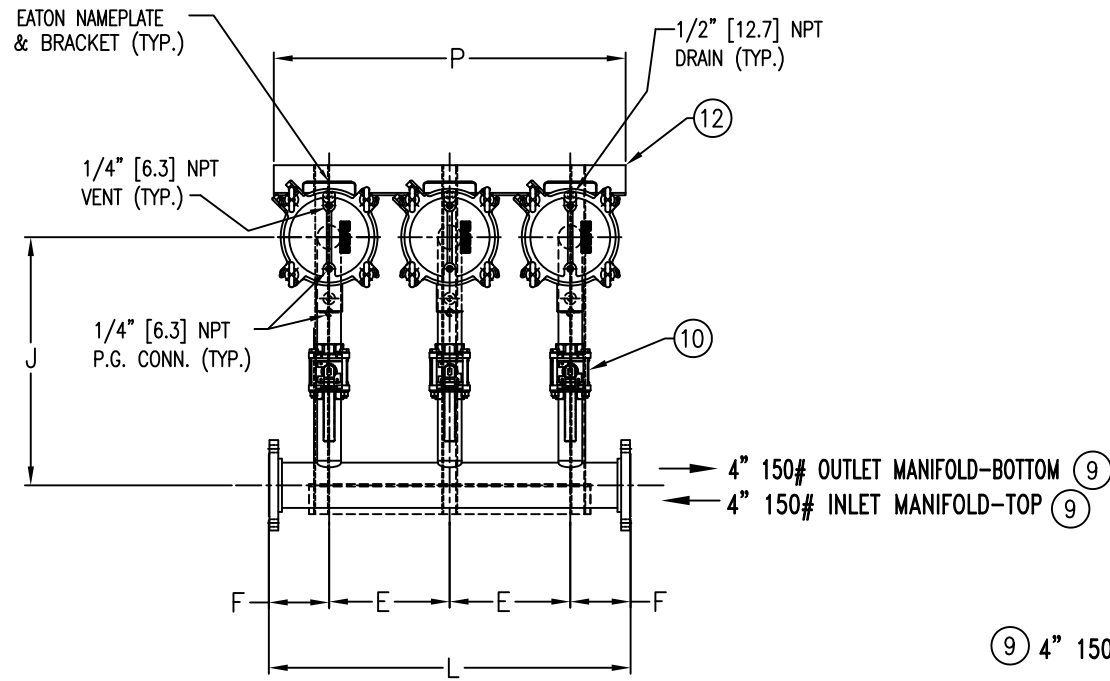


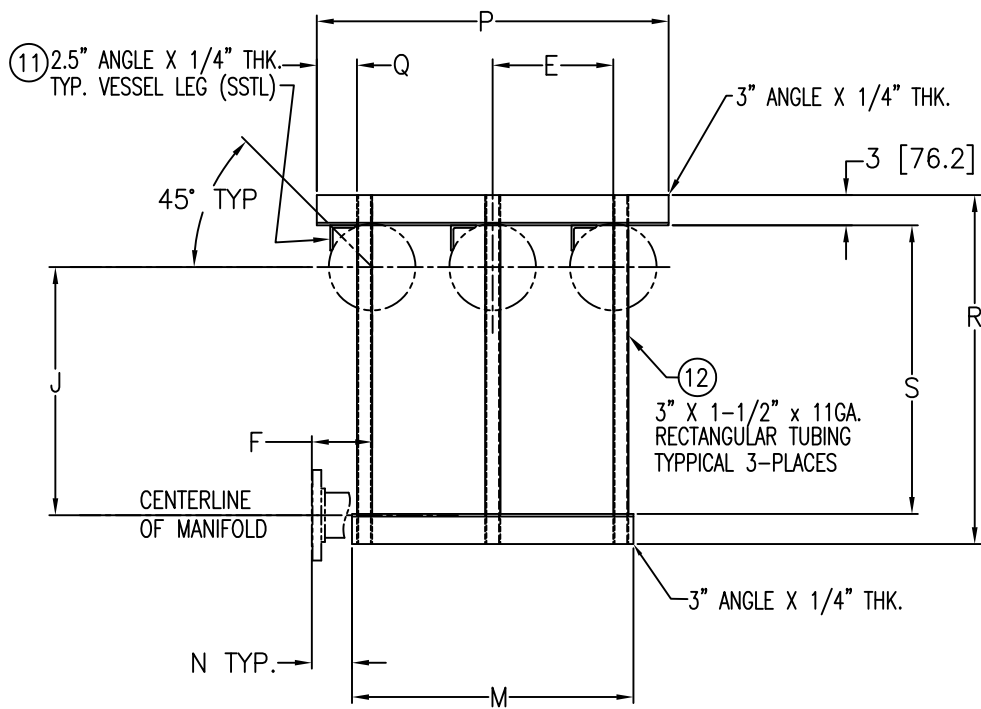
ITEM NUMBER	BAG SIZE	A IN. / MM	B IN. / MM	C IN. / MM	D IN. / MM	E IN. / MM	F IN. / MM	G IN. / MM	H IN. / MM	J IN. / MM	K IN. / MM	L IN. / MM	M IN. / MM	N IN. / MM	P IN. / MM	Q IN. / MM	R IN. / MM	S IN. / MM	WEIGHT LBS / KGS
F3AVSB0403	O2	8-5/8 / 219	46-1/4 / 1175	53-5/16 / 1354.1	78 / 1981.2	12 / 305	6 / 152.4	38 / 965.2	8-1/4 / 210.6	24-11/16 / 627	7-1/2 / 190.5	36 / 914.4	28 / 711	4 / 101.6	35 / 889	4 / 101.6	34-3/4 / 882	28-3/4 / 730	520 / 235.8

REVISIONS

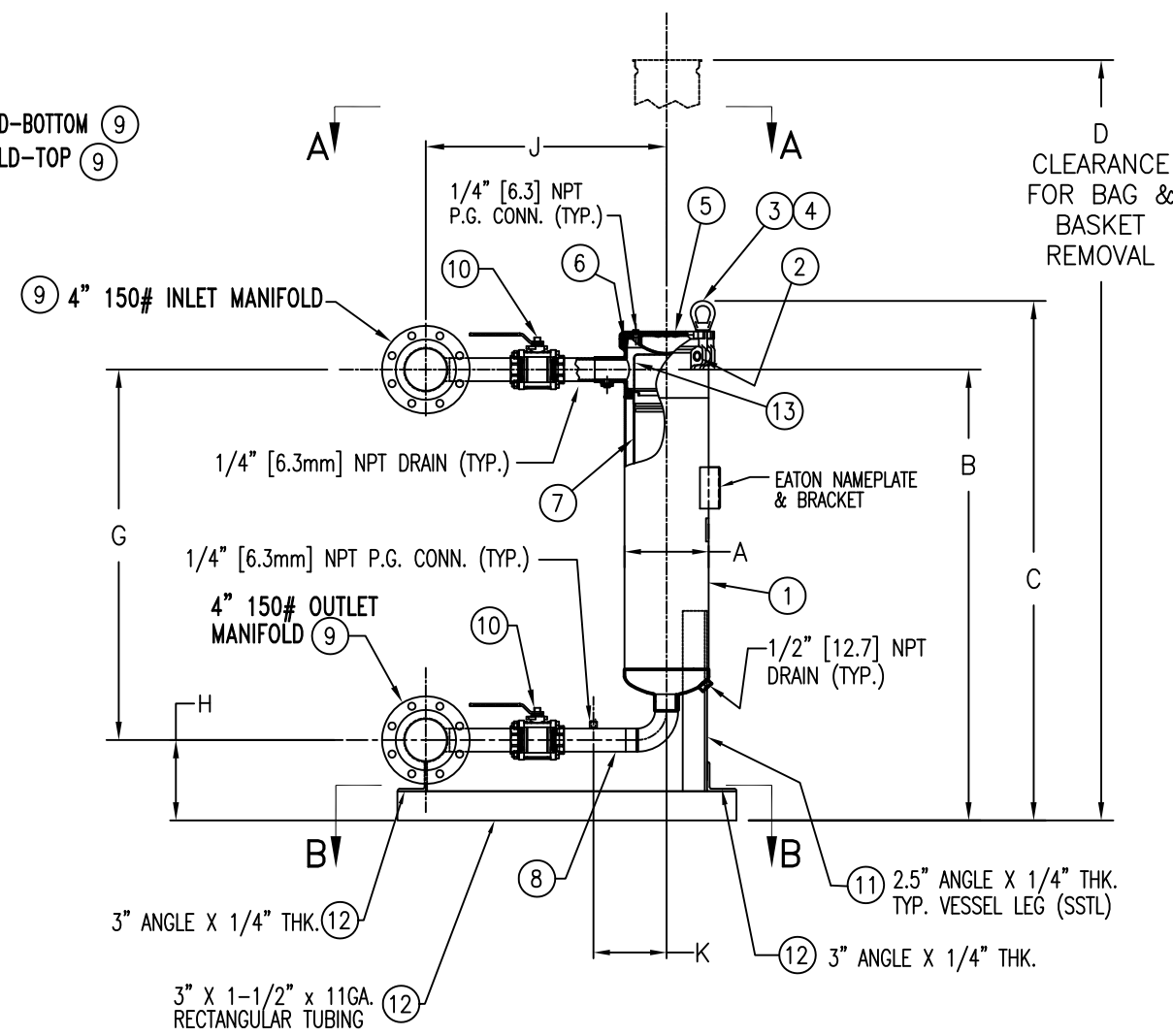
REV	DESCRIPTION	BY	ECO	DATE
A	NEW ISSUE	FJM	0050189	12/06/10
B	UPDATED DRAWING	FJM	0119087	01/20/16



VIEW A-A



VIEW B-B
MOUNTING DETAIL



NO.	PART NAME	MATERIAL
1	BODY	SA-351 CF8M SA-312 TP 316
2	PIN	SA-193 GR B7, ZINC PL
3	EYE BOLT	SA-193 GR B7, ZINC PL
4	EYE NUT	SA-194 GR 2H, ZINC PL
5	COVER	SA-351 CF8M
6	O-RING P/N XL0000024	BUNA-N
7	RESTRAINER BASKET P/N L0001753	316 STAINLESS STEEL
8	2\"/>	
9	4\"/>	
10	2\"/>	
11	VESSEL ANGLE LEG SUPPORT	STAINLESS STEEL
12	SKID ASSEMBLY	STAINLESS STEEL
13	BAG HOLD DOWN	316 STAINLESS STEEL

NOTES:

- UNITS ARE DESIGNED, FABRICATED AND "UM" STAMPED IN ACCORDANCE WITH THE ASME BOILER & PRESSURE VESSEL CODE SECTION VIII, DIVISION 1, IN COMPLIANCE TO CURRENT MANDATORY EDITION.
- MANIFOLD INLET/OUTLET FLANGED CONNECTIONS PER ANSI B16.5
- MAWP: 150 PSI @ 250° F MDMT: -20° F @ 150 PSI
(10.3 BAR @ 121.1° C) (-28.9° C @ 10.3 BAR)
- INTER-CONNECTING VALVE HARDWARE WILL BE SUPPLIED.
- DIMENSIONS SHOWN IN [] ARE IN MILLIMETERS AND FOR REFERENCE ONLY. ACCEPTANCE OF THIS PART WILL BE BASED ON "INCH" UNITS & TOLERANCES ONLY.
- 2" SOCKET WELD BALL VALVES STAINLESS STEEL EATON STANDARD P/N RPV0000018 & RPV0000019 FULL PORT 3 PIECE.

CUSTOMER INFO		TOLERANCES (UNLESS OTHERWISE SPECIFIED)	DRAWN BY FJM	HYDRAULICS GROUP FILTRATION DIVISION GALESBURG, MICHIGAN, USA • TINTON FALLS, NEW JERSEY, USA	
NAME		DECIMAL: .X ± .030 .XX ± .010 .XXX ± .005	SCALE AS DRAWN	TITLE MODULINE SIDELINE (MSBF-0302) FILTER VESSEL 4"-150# IN/OUT FLANGE MANIFOLD MATERIAL SS-316 W/BALL VALVES	
P.O. NO.		FRACTIONAL: ± 1/16	RESTRICTION RESTRICTED		
S.O. NO.		NOZZLE Q TO FLOOR: 1/4" < 4' > 1/2"	SHEET 1 OF 1	DATE 11/29/10	SIZE B
QUANTITY		FACE TO FACE: 1/8" < 4' > 1/4"	PROJECTION THIRD ANGLE	DWG FILENAME MSBF03XS	REV B
PART NO.	F3AVSB0403	ANGULAR: ± 1°	EATON CORPORATION - CONFIDENTIAL AND PROPRIETARY NOTICE TO PERSONS RECEIVING THIS DRAWING AND/OR TECHNICAL INFORMATION THIS DOCUMENT, INCLUDING THE DRAWING AND INFORMATION CONTAINED THEREON IS CONFIDENTIAL AND IS THE EXCLUSIVE PROPERTY OF EATON AT ANY TIME. BY TAKING THE POSSESSION OF THIS DOCUMENT THE RECIPIENT ACKNOWLEDGES AND AGREES THAT THIS DOCUMENT CANNOT BE USED IN ANY MANNER ADVERSE TO THE INTEREST OF EATON AND THAT NO PORTION OF THIS DRAWING MAY BE COPIED OR OTHERWISE REPRODUCED WITHOUT THE PRIOR WRITTEN CONSENT OF EATON, IN THE CASE OF CONFLICTION CONTRACTUAL PROVISIONS, THIS NOTICE SHALL GOVERN THE STATUS OF THIS DOCUMENT. 2014 EATON CORPORATION - ALL RIGHTS RESERVED.		
		FLANGES (H/V): ± 1/2"			
		VESSEL OVERALL HT: 1"			
		BOLT HOLES MUST STRADDLE Q MACHINED PARTS TO BE FREE OF BURRS FOR ADDITIONAL TOLERANCE DETAILS REF. ES-211, ES-222 AND ES-223			
		REVIEWED FOR CLASSIFICATION PER PR-4			
		CRITICAL SIGNIFICANT			