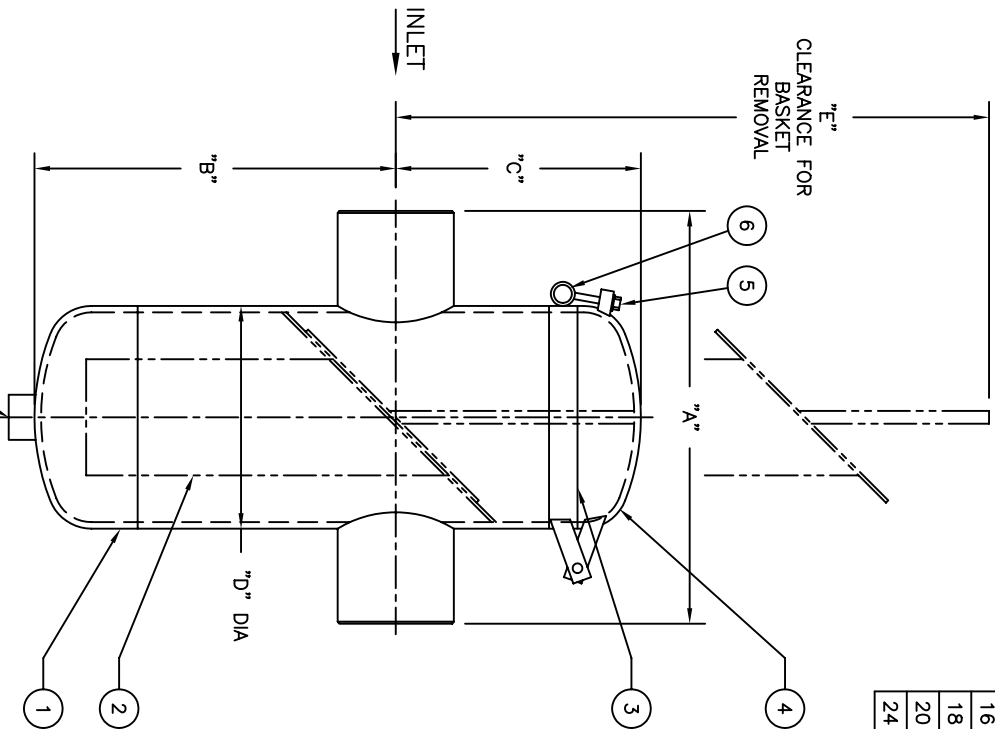


NO.	PART NAME	MATERIAL
1	BODY	CARBON STEEL
2	BASKET	
	PERF. DIA.	
	MESH	
3	O-RING	BUNA-N
4	COVER	CARBON STEEL
5	BOLTS	A 325
6	NUTS	A 193 B7

PIPE SIZE (NOMINAL)	DIMENSIONS						APPROX. WEIGHT LBS. KG	PART NO.
	A IN. MM	B IN. MM	C IN. MM	D IN. MM	E IN. MM	F (NOM.) IN. MM		
2 (50mm)	14.00 / 356	12.00 / 305	8.63 / 219	6.63 / 168	26.00 / 660	1/2 (15)	61 / 27.7	ST090020BB3TA
3 (80mm)	15.00 / 381	12.50 / 318	8.63 / 219	6.63 / 168	26.00 / 660	1/2 (15)	72 / 32.7	ST090030BB3TA
4 (100mm)	16.00 / 406	14.00 / 356	9.50 / 241	8.63 / 219	29.00 / 737	1 (25)	129 / 58.5	ST090040BB3TA
5 (125mm)	16.00 / 406	15.00 / 381	11.25 / 286	10.75 / 273	33.00 / 838	1 (25)	177 / 80.3	ST090050BB3TA
6 (150mm)	20.00 / 508	17.00 / 432	11.25 / 286	10.75 / 273	35.00 / 889	1 (25)	184 / 83.5	ST090060BB3TA
8 (200mm)	22.00 / 559	21.00 / 533	13.00 / 330	12.75 / 324	42.00 / 1067	1-1/2 (40)	251 / 113.9	ST090080BB3TA
10 (250mm)	32.00 / 813	25.00 / 635	15.75 / 400	16.00 / 406	50.00 / 1270	1-1/2 (40)	426 / 193.2	ST090100BB3TA
12 (300mm)	35.00 / 889	28.00 / 711	17.75 / 451	18.00 / 457	56.00 / 1422	1-1/2 (40)	547 / 248.1	ST090120BB3TA
14 (350mm)	37.00 / 940	33.00 / 838	19.75 / 502	20.00 / 508	65.00 / 1651	2 (50)	650 / 294.8	ST090140BB3TA
16 (400mm)	42.00 / 1067	36.00 / 914	23.25 / 591	24.00 / 610	74.00 / 1880	2 (50)	858 / 389.2	ST090160BB3TA
18 (450mm)	42.00 / 1067	39.00 / 991	23.25 / 591	24.00 / 610	76.00 / 1930	2 (50)	886 / 401.9	ST090180BB3TA
20 (500mm)	43.00 / 1092	44.00 / 1118	27.75 / 705	30.00 / 762	88.00 / 2235	2 (50)	1382 / 626.9	ST090200BB3TA
24 (600mm)	48.00 / 1219	60.00 / 1524	27.75 / 705	30.00 / 762	102.00 / 2591	2 (50)	1506 / 683.1	ST090240BB3TA



- NOTES :
1. UNITS ARE DESIGNED IN ACCORDANCE WITH ASME SECT. VIII, DIV. 1 OF BOILER PRESSURE VESSEL. CODE & IN COMPLIANCE TO CURRENT PUBLISHED ADDENDA .
 2. CODE STAMPED VESSEL AVAILABLE.
 3. ALL DIMENSIONS ARE IN INCHES / MM.
 4. INLET / OUTLET BUTTWELD CONNECTION , SCH. STD. WGT.
 5. ALL BOLT HOLES STRADDLE NATURAL CENTERLINES.
 6. DESIGN PRESSURE : 150 PSIG @ 150° F
(10.3 BAR @ 65.6°C)
MDMT : -20°F @ 150 PSIG
(MDMT : -28.9°C @ 10.3 BAR)
 7. NON-DESTRUCTIVE EXAMINATION: LIQUID PENETRANT TEST

CERTIFIED FOR:

P.O. NO.:

REG. NO.:

QUOTE NO.:

TAG NO.:

ELECTRONIC FILE NAME: SD0900C4.DWG
REF. ECR D507 DATE 11/1/05

UNAUTHORIZED USE, MANUFACTURE OR REPRODUCTION IN WHOLE OR IN PART IS PROHIBITED. DRAWING, DESIGN AND OTHER DISCLOSURES PROPERTY OF EATON FILTRATION, LLC

		DRAWN		DATE		CERT.		DATE		REV	
		FM	3/10/02	LH	3/10/02	B					
EATON FILTRATION, LLC 900 FAIRMOUNT AVENUE, ELIZABETH, NEW JERSEY 07207		NAME MODEL 90 BASKET STRAINER 150# BUTTWELD / QUICK OPENING COVER SIZES 2" THRU 24" CARBON STEEL									
SD0900C4											