

# External Drain X01

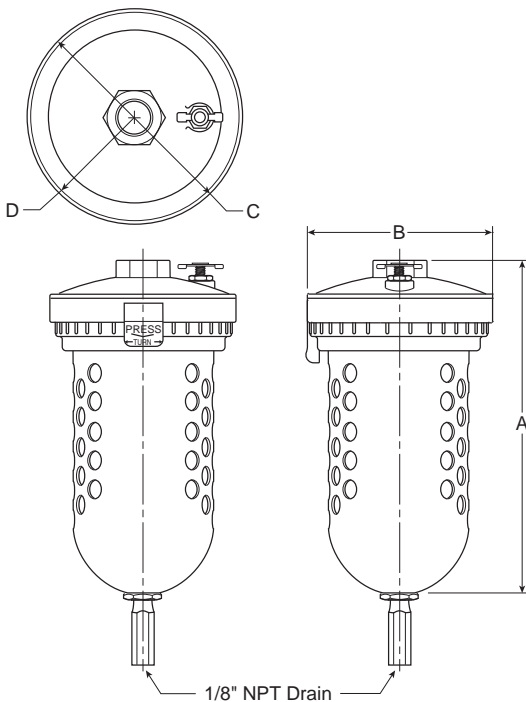
 = "Most Popular"



**X01-04-000**

## Features

- Fully Automatic Float Operated
- No Electrical Connections
- Easily Installed
- Internal Pilot Operated
- Quick-Disconnected Clamp Ring for Easy Bowl Removal when Servicing
- Transparent Bowl with Metal Bowl Guard Standard



## Specifications

Drain Rate	150 GPH @ 100 PSIG (570 l/h @ 6.9 bar)		
Maximum Supply Pressure	Plastic Bowl	150 PSIG (10.3 bar)	
	Metal Bowl	200 PSIG (13.8 bar)	
Operating Temperature	Plastic Bowl	32° to 125°F (0° to 52°C)	
	Metal Bowl	32° to 150°F (0° to 65.5°C)	
Port Size	NPT / BSPP-G	1/2	
Weight	4.6 lb. (2.1 kg)		

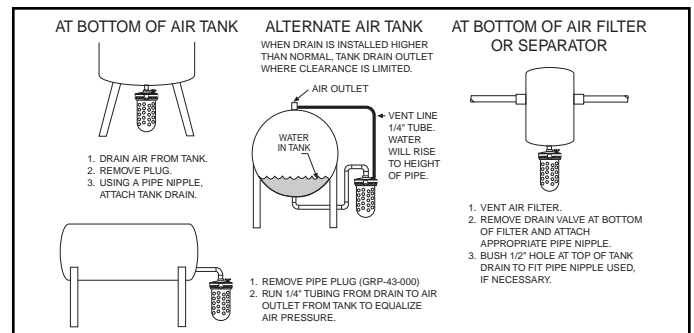
## Materials of Construction

Body	Zinc
Float Assembly	Plastic with Stainless Steel Internals

## Replacement Kits

Bowl Guard, Metal (for Plastic Bowl)	GRP-95-808
Clamp Ring Assembly	GRP-96-404
Plastic Bowl, Auto Drain and Bowl Guard Assembly	XRP-96-747
Metal Bowl and Auto Drain Assembly –	FRP-95-631
O-ring, Bowl –	
Fluorocarbon (10 per kit)	GRP-95-942
Bowl, Nitrile (10 per kit)	GRP-95-256

## Typical Installations



## External Drain

As liquid contaminants collect in the bowl, they raise a closed-cell molded float. When the liquid level reaches a given point, the float triggers a mechanism, which pilots line pressure against a large-area diaphragm, which snaps open the drain valve. The contaminants are discharged from the drain orifice at line pressure. As the liquid level falls, the pilot valve closes, line pressure against the diaphragm returns to atmosphere and the drain valve snaps closed.

## Dimensions

Models	Inches (mm)	A	B	C	D
Standard Unit X01-04-000		9.66 (245)	4.76 (121)	4.76 (121)	2.36 (60)