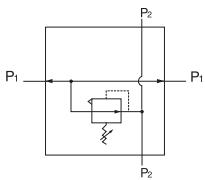


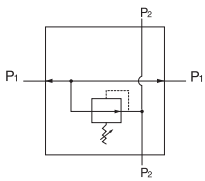
Common-P1 Regulator R19

B

Filters, Regulators, Lubricators



Relieving

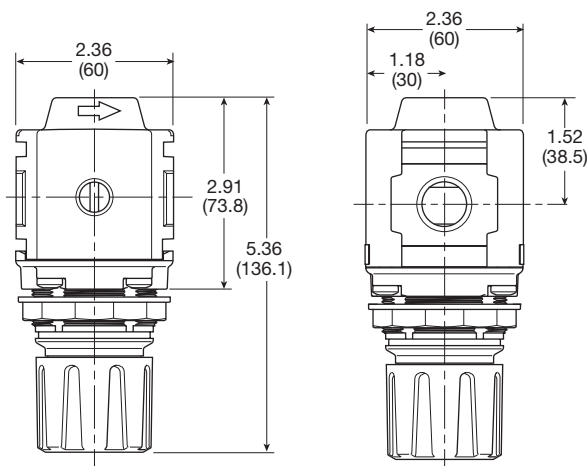


Non-Relieving



Features

- Balanced Valve Design
- Spring-loaded Diaphragm
- 4 Adjusting Pressure Ranges Available
- 1/2" NPT / BSPP-G Over-port
- 2 Regulated Ports



Inches (mm)

NOTE: 1.90 in. (48mm) hole required for panel nut mounting.

Inches (mm)

Specifications

Flow Capacity*	1/4, 3/8, 1/2	64.0 SCFM (30 dm ³ /s)
Adjusting Range Pressure		0 to 30 PSIG (0 to 2.1 bar)
		0 to 60 PSIG (0 to 4.1 bar)
		0 to 125 PSIG (0 to 8.6 bar)
		0 to 250 PSIG (0 to 17.2 bar)
Maximum Supply Pressure		300 PSIG (20.7 bar)
Operating Temperature		-13° to 150°F (-25° to 65.5°C)
P1 Port Size (Inlet / Outlet)	NPT / BSPP-G	1/4, 3/8, 1/2
P2 Regulated Ports (2 ea.)	NPT / BSPP-G	1/4
Weight		0.50 lb (0.22 kg)

* Inlet pressure 100 PSIG (6.9 bar). Secondary pressure 90 PSIG (6.2 bar).

Materials of Construction

Adjustment Knob	Acetal
Body	Aluminum
Body Cap	ABS
Bonnet	33% Glass-filled Nylon
Bottom Plug	33% Glass-filled Nylon
Diaphragm Assembly	Nitrile / Steel
Panel Nut	Acetal
Seals	Nitrile
Springs	Main Regulating Valve: Steel, Stainless Steel
Valve Assembly	Brass / Nitrile

! WARNING

Product rupture can cause serious injury. Do not connect regulator to bottled gas. Do not exceed maximum primary pressure rating.

CAUTION:

REGULATOR PRESSURE ADJUSTMENT – The working range of knob adjustment is designed to permit outlet pressures within their full range. Pressure adjustment beyond this range is also possible because the knob is not a limiting device. This is a common characteristic of most industrial regulators, and limiting devices may be obtained only by special design.

For best performance, regulated pressure should always be set by increasing the pressure up to the desired setting.

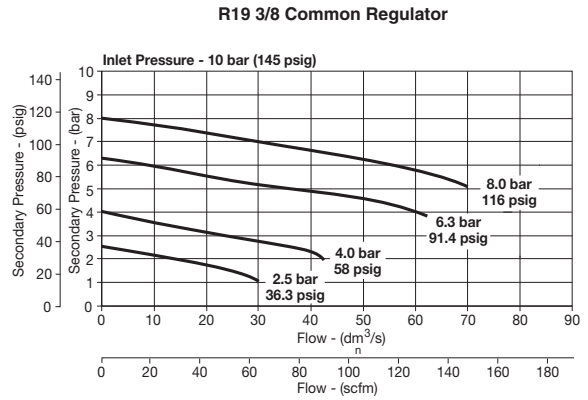
 = "Most Popular"

Replacement Kits

- Diaphragm Assembly –
 - Non-relieving RRP-96-761B
 - Relieving..... RRP-96-760B
- Spring, Regulating–
 - 0 to 30 PSIG (0 to 2.1 bar) RRP-96-659B
 - 0 to 60 PSIG (0 to 4.1 bar) RRP-96-660B
 - 0 to 125 PSIG (0 to 8.6 bar) RRP-96-661B
 - 0 to 250 PSIG (0 to 17.2 bar) RRP-96-662B

Accessories

- Gauge, Pressure –
 - 50mm (2") round 1/4" center back mount
 - 0-30 PSIG / 0-2 bar K4520N14030
 - 0-60 PSIG / 0-4 bar K4520N14060
 - 0-160 PSIG / 0-11 bar K4520N14160
 - 0-300 PSIG / 0-20 bar K4520N14300
 - 0 to 160 PSIG, 1-3/4" Digital Round, 1/4" NPT K4517N14160D
- Panel Mount Nut –
 - Aluminum..... RRP-96-673
 - Plastic RRP-96-675
- Tamper Resistant Kit..... RRP-96-671
- Wall Mounting Bracket –
 - L-Type GPA-96-606
 - T-Type GPA-96-603



B
Filters, Regulators, Lubricators

NOTE: Gauge not included, order separately by accessory number.



Typical Application

Ordering Information

All units shown with 1/4" regulated ports.

Model Type	P1 Port Size	5-125 PSIG (0.4 to 8.6 bar)	10-250 PSIG (0.7 to 7.2 bar)	3-60 PSIG (0.2 to 4.1 bar)
Relieving	1/4	R19-02-FA00B	R19-02-G700B	R19-02-DA00B
	3/8	R19-03-FA00B	R19-03-G700B	R19-03-DA00B
	1/2	R19-04-FA00B	R19-04-G700B	R19-04-DA00B
Non-relieving	1/4	R19-02-RA00B	R19-02-S700B	R19-02-WA00B
	3/8	R19-03-RA00B	R19-03-S700B	R19-03-WA00B
	1/2	R19-04-RA00B	R19-04-S700B	R19-04-WA00B

Options - To order an option supplied with the unit model, add the appropriate coded suffix letter in the designated position of the model number.