



Resistance Thermometer Pt100

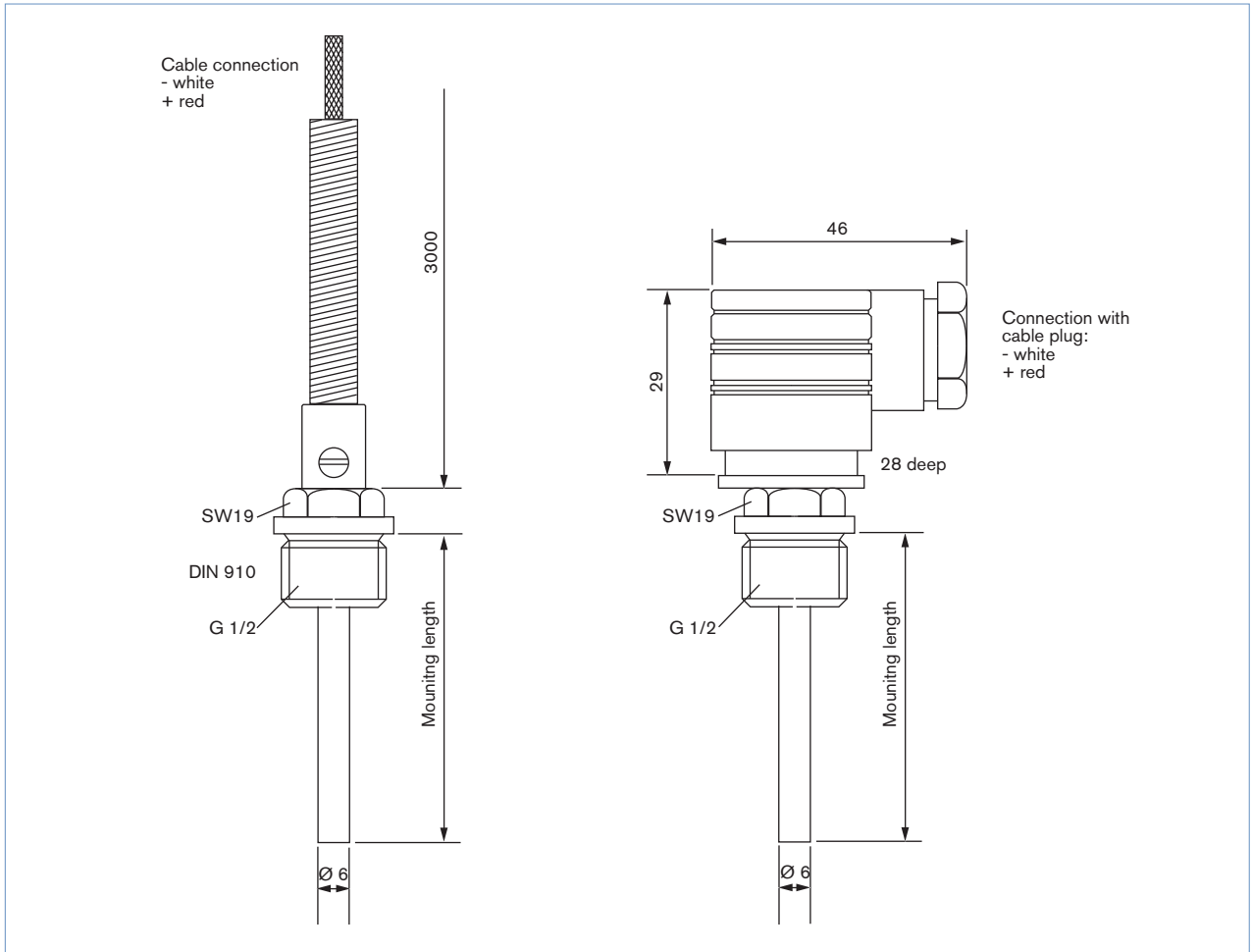
- Compact version
- Tube material stainless steel 1.4571
- Neutral and aggressive fluids
- With cable plug or cable

Temperature measuring with Pt100 temperature probe integrated in stainless steel tube. Measuring unit according to DIN 910 screwed and welded-in (not exchangeable). Wide range of applications for neutral and aggressive media. Accuracy class B
(ΔT [grad]= $\pm 0.3 \pm 0.005 T$ [°C]).

Technical data

Measuring surface	Flat
Measuring range	up to +125°C with cable plug up to +200°C with cable
Ambient temperature	max. +80°C
Protection tube material	Stainless steel 1.4571
Connection cable	3 m, PTFE-Silicone-Isolation, screened
Connection	External thread G 1/2
Cable plug	Type 2508 according to DIN 43650 Forme A
Protection class	IP65

Dimensions [mm]



Ordering chart

Electrical connection	Mounting length [mm]	Item no.
3 m cable	50	783 713
3 m cable	100	783 714
Cable plug	50	783 715
Cable plug	100	783 716