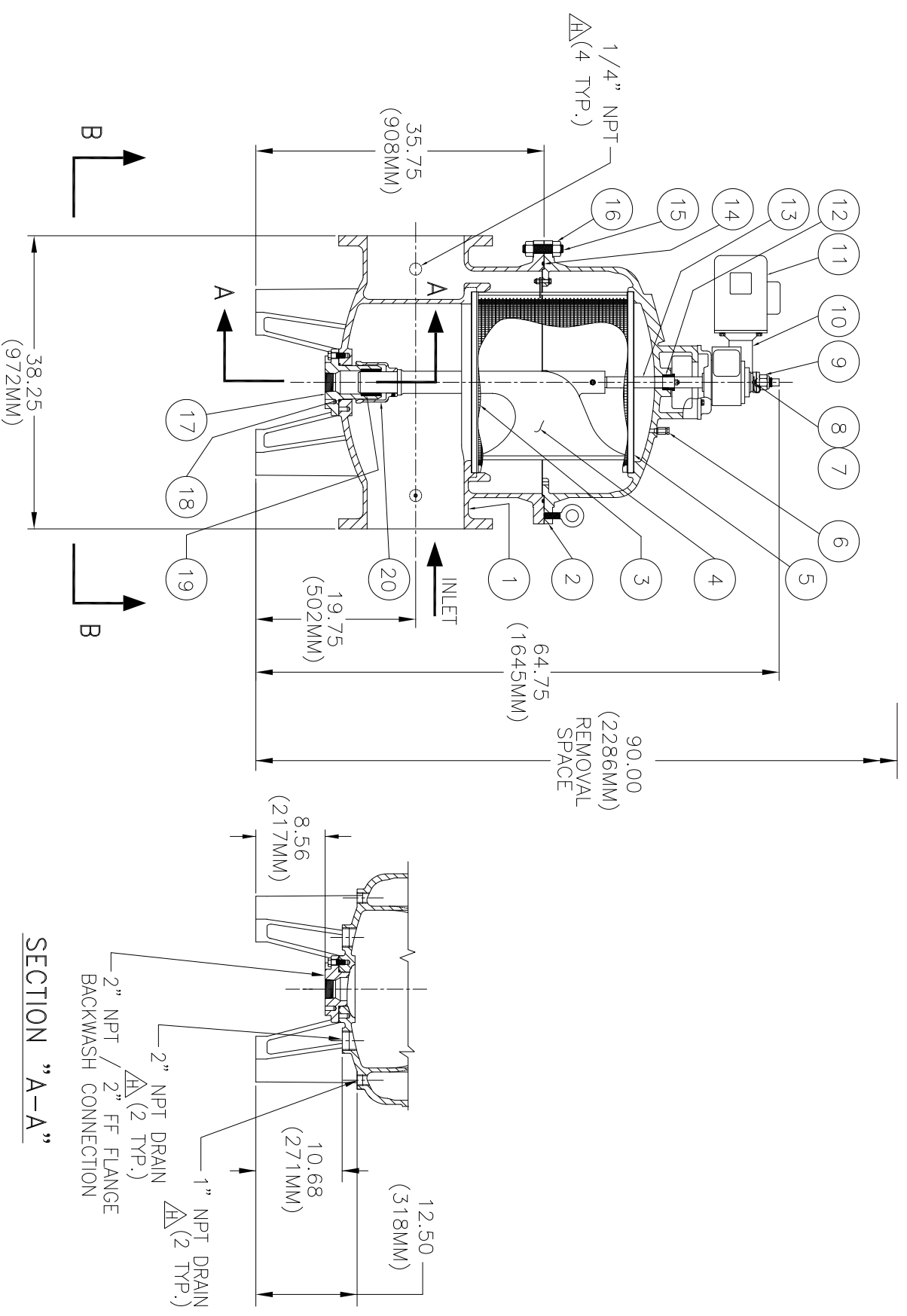


R E V I S I O N S				
REV	DESCRIPTION	BY	ECO	DATE
H	UPDATE TITLE BLOCK ADD DRAINS,19 WAS DELRIN	JJ	0084310	4/5/2013

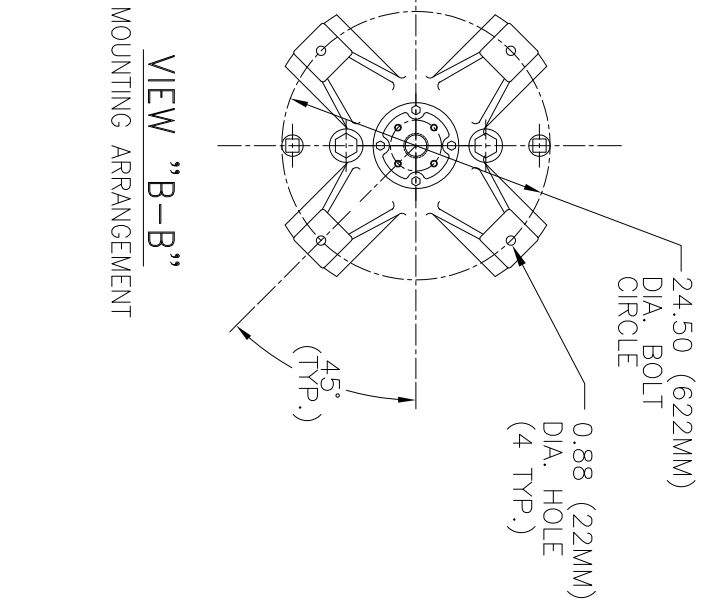


- NOTES:
1. ALL FLANGE CONNECTIONS CONFORM TO ANSI B16.42.
 2. FOR REPLACEMENT PARTS, MODEL NO., SIZE, AND SERIAL NO., FROM THE STRAINER NAMEPLATE MUST BE FURNISHED.
 3. MAX. WORKING PRESSURE: 150 PSI @ 150° F (10.3 BAR @ 65.5° C)
 4. WEIGHT: DRY-1840 LBS. (836 KGS.)
WET-2615 LBS. (1189 KGS.)
COVER WEIGHT: 705 (320 KGS.)

T O L E R A N C E S
(UNLESS OTHERWISE SPECIFIED)

DECIMAL:	.X ± .030
	.XX ± .010
	.XXX ± .005

FRACTIONAL:
NOZZLE Q TO FLOOR: $\pm \frac{1}{16}$
FACE TO FACE: $\pm \frac{1}{8}$ < 4' > $\pm \frac{1}{4}$
ANGULAR:
FLANGES (H/V): $\pm 1'$
VESSEL OVERALL HT: $\pm \frac{1}{2}$
BOLT HOLES MUST STRADDLE Q MACHINED PARTS TO BE FREE OF BURRS FOR ADDITIONAL TOLERANCE DETAILS
REF. ES-211, ES-222 AND ES-223
REVIEWED FOR CLASSIFICATION PER PR-4



C U S T O M E R I N F O

NAME	
P.O. NO.	
TAG NO.	
S.O. NO.	
PART NO.	25961000053

NO.	PART NAME	MATERIAL
1	BODY	DUCTILE IRON ASTM SA 395
2	COVER	DUCTILE IRON ASTM SA 395
3	ELEMENT	STAINLESS STEEL
4	BACKWASH ARM	DUCTILE IRON ASTM A 395
5	GASKET	BUNA-N
6	VENT VALVE 1/4" NPT	BRASS
7	COTTER PIN	STEEL
8	DRIVE PIN	STAINLESS STEEL
9	ELASTIC STOP NUT	STAINLESS STEEL
10	GEAR REDUCER	CAST IRON
11	MOTOR - 1/4 HP	----
12	QUAD SEAL	BUNA
13	BACKWASH SHAFT	STAINLESS STEEL
14	O-RING	BUNA-N
15	STUD	STEEL A 193 GR.B7
16	HEX NUT	STEEL A 194 GR.2H
17	PILOT BUSHING HOUSING	DUCTILE IRON ASTM SA 395
18	O-RING	BUNA-N
19	PILOT BUSHING	COMPOSITE
20	BACKWASH ARM GUIDE	DUCTILE IRON ASTM A 395

DRAWN BY: DM
SCALE: AS DRAWN

EATON DESIGN CENTER
TINTON FALLS, NEW JERSEY, USA • PORTAGE, MICHIGAN, USA

EATON FILTRATION, LLC
MODEL 2596 SELF-CLEANING STRAINER
SIZE 10" 150# FF FLANGE DUCTILE IRON

PROJECTION	DATE	SIZE	DWG FILENAME	REV
THIRD ANGLE	11/13/95	B	SD259611	H

RESTRICTION: RESTRICTED
SHEET: 1 OF 1

THIS DOCUMENT, AND ANY INFORMATION CONTAINED HEREIN, IS THE PROPERTY OF EATON AND IS NOT TO BE REPRODUCED OR TRANSMITTED IN ANY FORM OR BY ANY MEANS, ELECTRONIC OR MECHANICAL, INCLUDING PHOTOCOPYING, RECORDING, OR BY ANY INFORMATION STORAGE AND RETRIEVAL SYSTEM, WITHOUT THE PRIOR WRITTEN CONSENT OF EATON. IN THE CASE OF CONFLICTING CONTRACTUAL PROVISIONS, THIS NOTICE SHALL GOVERN THE STATUS OF THIS DOCUMENT. © 2013 EATON CORPORATION. ALL RIGHTS RESERVED.