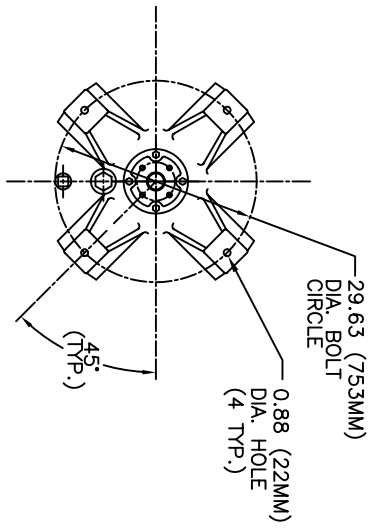


SECTION "A-A"



VIEW "B-B"

MOUNTING ARRANGEMENT

NOTES:

1. ALL FLANGE CONNECTIONS CONFORM TO BS4504 PN16.
2. FOR REPLACEMENT PARTS, MODEL NO., SIZE, AND SERIAL NO., FROM THE STRAINER NAMEPLATE MUST BE FURNISHED.
3. MAX. WORKING PRESSURE: 150 PSI @ 150° F (10.3 BAR @ 65.5° C)
4. WEIGHT: DRY-2810 LBS. (1277 KGS.)  
WET-4360 LBS. (1982 KGS.)  
COVER WEIGHT: 1050 (477 KGS.)
5. PART NO. : 25961400701
6. EXTERNAL COATING: ENG'G SPEC. ES-301

NO.	PART NAME	MATERIAL
1	BODY	DUCTILE IRON ASTM SA 395
2	COVER	DUCTILE IRON ASTM SA 395
3	ELEMENT	STAINLESS STEEL
4	BACKWASH ARM	DUCTILE IRON
5	GASKET	BUNA-N
6	VENT VALVE 1/4" BSPT	STAINLESS STEEL
7	COTTER PIN	STEEL
8	DRIVE PIN	STAINLESS STEEL
9	ELASTIC STOP NUT	STAINLESS STEEL
10	GEAR REDUCER	CAST IRON
11	MOTOR - 1/4 HP	UNIT SUPPLIED W/O MOTOR
12	QUAD SEAL	BUNA
13	BACKWASH SHAFT	STAINLESS STEEL
14	O-RING	BUNA-N
15	STUD	STEEL SA 193 GR.B7
16	HEX NUT	STEEL SA 194 GR.2H
17	PILOT BUSHING HOUSING	DUCTILE IRON ASTM SA 395
18	O-RING	BUNA-N
19	PILOT BUSHING	DELFIN
20	BACKWASH ARM GUIDE	DUCTILE IRON ASTM A 395
21	WASHER	STEEL

CERTIFIED FOR:

P.O. NO.:  
REG. NO.:  
QUOTE NO.:  
TAG NO.:

STRAINING ELEMENT:

ELECTRONIC FILE NAME: SD259634.DWG  
REF. ECR D507  
DATE 11/1/05

UNAUTHORIZED USE, MANUFACTURE OR REPRODUCTION IN WHOLE OR IN PART IS PROHIBITED. DRAWING, DESIGN AND OTHER DISCLOSURES PROPERTY OF EATON FILTRATION, LLC

<b>EATON</b>	<b>EATON FILTRATION, LLC</b>			
	900 FAIRMOUNT AVENUE, ELIZABETH, NEW JERSEY 07207			
NAME	SIZE 350 MM (14")	MODEL	2596	
SELF-CLEANING STRAINER - DUCTILE IRON BS4504 PN16 FF FLANGES				
DRAWN	VAA	DATE	9/9/97	CERT.
SIZE	DWG	NO	VH	DATE
A				9/9/97/
SD259634				REV
				C