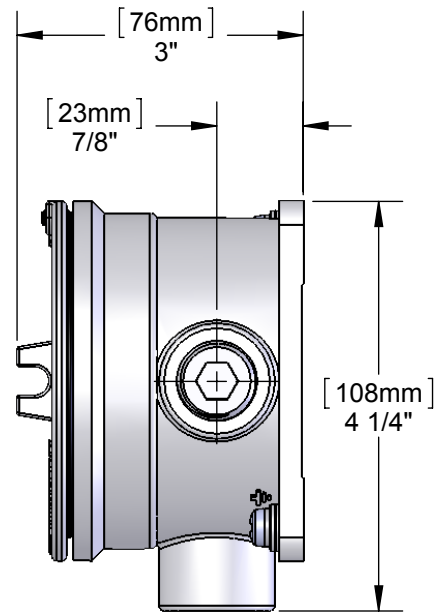


FRONT VIEW WITHOUT COVER



SIDE VIEW WITH COVER

ATTENTION

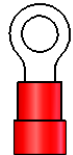
- DO NOT EXCEED MAXIMUM ELECTRICAL RATING LISTED ON PRODUCT NAMEPLATE.
- WIRE ACCORDING TO NATIONAL AND LOCAL ELECTRICAL CODES.
- TERMINAL BLOCK ACCEPTS 10-26 AWG (0,41-5,26mm²) WIRE.
- TO ORDER THIS JUNCTION BOX PRE-INSTALLED ON UE PRODUCTS, USE THE M432 OPTION CODE.
- TO ORDER THIS JUNCTION BOX AS A SEPERATE KIT USE ACCESSORY PART NUMBER 62169-48.

JUNCTION BOX ASSEMBLED KIT INCLUDES:

- (1) JUNCTION BOX WITH GROUND SCREWS AND COVER.
- (1) MOUNTED TERMINAL BLOCK
- (1) 1/2"-14 NPT STOPPING PLUG
- (1) GROUNDING TERMINAL

INSTALLATION INSTRUCTIONS:

- ROUTE WIRES INTO THE JUNCTION BOX AND TIGHTEN CONDUITS INTO POSITION.
- CUT WIRES TO DESIRED LENGTHS AND STRIP WIRES 1/4" (6mm).
- ATTACH SUPPLIED GROUND TERMINAL TO THE GROUND WIRE USING A SUITABLE CRIMPING TOOL AND SECURE IT TO THE INTERNAL GROUND SCREW.
- WIRES MAY BE ROUTED UNDER OR TO THE RIGHT OF THE TERMINAL BLOCK.
- SEE PRODUCT NAMEPLATE, BULLETIN OR INSTALLATION & MAINTENANCE MANUAL FOR WIRING UE CONTROLS. INFO. ALSO AVAILABLE AT WWW.UEONLINE.COM.



**GROUNDING TERMINAL INCLUDED
SCALE 1:1**

THIS DOCUMENT IS PROPRIETARY PROPERTY OF UNITED ELECTRIC CONTROLS. UNAUTHORIZED USE IS STRICTLY PROHIBITED.

REV.	ECN#	DESCRIPTION	DATE	DRWN	APPD
B	E5852	ADDED MOUNTING HOLE DIMS. ADDED "UNDER OR" TO WIRE ROUTING INSTALLATION INSTRUCTION.	6-21-16	SR	RCI
A	E5809	FIRST ISSUE	5-11-16	RCI	RCI

ORIGINAL DATE	5-11-16
DRWN	RCI
CHKD	SR
APPD	R. IACABONE
UNLESS OTHERWISE SPECIFIED DIMENSIONS ARE IN INCHES TOLERANCES ON FRACTIONS ±1/64 2 PLACE DEC ±0.010 3 PLACE DEC ±0.005 ANGLES ±1/2°	
DO NOT SCALE THIS DRAWING	

TITLE	62169-48 1/2" NPT SS JUNCTION BOX KIT INSTALLATION INSTRUCTIONS
SCALE	1:2

UNITED ELECTRIC CONTROLS COMPANY
WATERTOWN * MASSACHUSETTS

DWG NO Page 1 of 1

A-6271-352