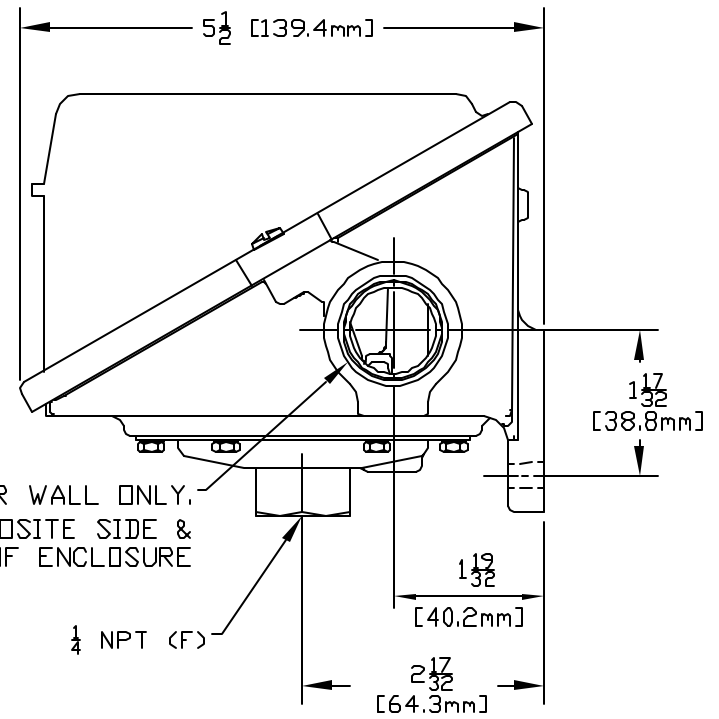
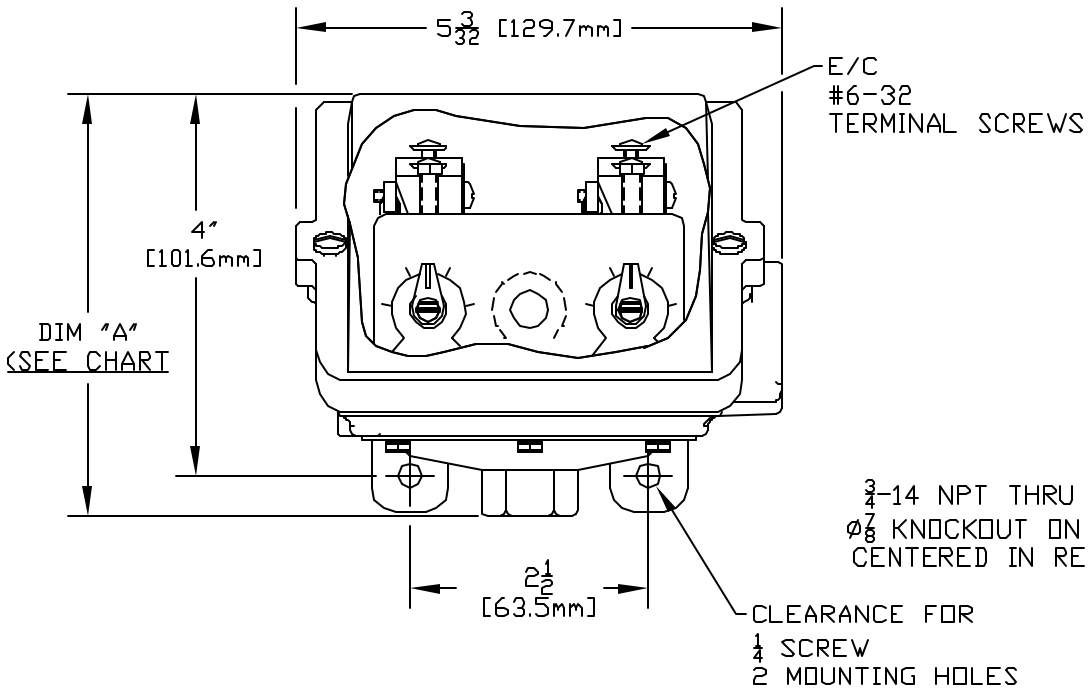


UL LISTED, CSA CERTIFIED, NEMA 4.
I & M SHEET IMP400.



453 & 454	4 9/32 [108.7mm]
450 & 452	5 1/32 [127.7mm]
MODEL NOS.	DIM 'A'


454	0 to 30	0 to 2.1
453	0 to 20	0 to 1379.0 mbar
452	30"HgVac to 20 psi	-1.0 bar to 1379.0 mbar
450	30"HgVac to 0 psi	-1.0 to 0
MODEL NO.	psi	bar
ADJUSTABLE RANGE		
LOW END OF RANGE ON FALL HIGH END OF RANGE ON RISE		

R	REDRAWN, UPDATED ENCLOSURE. ECN#E0821	6-28-04	S.R.	HN
SYM	DESCRIPTION	DATE	DWN	APPD
REVISIONS				

ORIGINAL DATE	3-10-87
DRWN	A. EBALD
CHKD	A.J. FLECCA
APPD	A. MINASSIAN
UNLESS OTHERWISE SPECIFIED DIMENSIONS ARE IN INCHES	
DO NOT SCALE THIS DRAWING	

TITLE	H402- 450 & 452-454
SCALE	1:2

DF001D



UNITED ELECTRIC
CONTROLS COMPANY
WATERTOWN * MASSACHUSETTS

DWG NO
A-12349