

BAR STOCK, FLANGE CONNECTION

How to build a part number:

To order an Applied Sensor Technologies thermowell, select the requirements for the categories listed below and fill in the corresponding boxes with your selection. Don't see exactly what you need? Give us a call!

STYLE	BORE	INSERTION LENGTH	WELL & FLANGE MATERIAL	FLANGE SIZE	FLANGE RATING	FLANGE TYPE	OPTIONS

STYLE

F – Flanged connection, stepped stem (for straight stem, see Options)

FH – Flanged connection, tapered stem

BORE

260 – 0.260" bore

385 – 0.385" bore

INSERTION LENGTH (in inches)*

U# – Specify length below the flange (e.g., U4 = 4")

Standard lengths:

U4 – U=4"; L=6"

U7 – U=7"; L=9"

U10 – U=10"; L=12"

U13 – U=13"; L=15"

U16 – U=16"; L=18"

U22 – U=22"; L=24"

Specify other (L = U + 2")

WELL AND FLANGE MATERIAL

--- 304 stainless steel

310 – 310 stainless steel

316 – 316 stainless steel

INC – Inconel 600®

321 – 321 stainless steel

ALUM – Aluminum

HAST – Hastelloy C®

TTNM – Titanium

316L – 316L stainless steel

400 – Monel 400®

CS – Carbon steel

F11 – F11 carbon steel (forged)

F22 – F22 carbon steel (forged)

F91 – F91 carbon steel (forged)

A20 – Alloy 20

BRASS – Brass

FLANGE SIZE

1 – 1" flange

1.5 – 1.5" flange

2 – 2" flange

3 – 3" flange

4 – 4" flange

FLANGE RATING

150 – 150# rating

300 – 300# rating

600 – 600# rating

900/1500 – 900/1500# rating

FLANGE TYPE

RF – Welded, raised face (standard)

FF – Welded, flat face

RTJ – Ring type joint

OPTIONS

TW01 – Stainless steel cap and chain assembly

TW02 – Brass cap and chain assembly

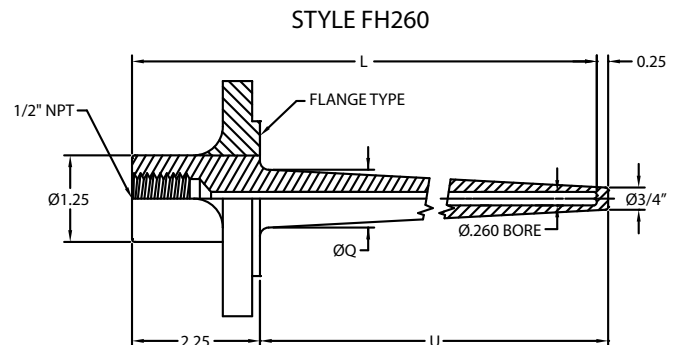
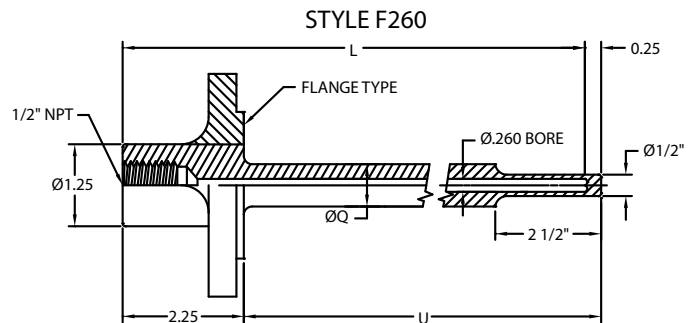
TAG2 – Stamped tag #

STRT – Straight stem

MTR1 – Material Test Report

WFC1 – Wake Frequency Calculation

TFLN – Teflon sleeve or coating



	Root Diameter (Q)
F260	0.75"
F385	0.75"
FH260 & 385	1" flange = .88" 1.5" flange = 1.06" All others = 1.25"

(*) Thermowells with an overall length of 42" or less are machined from SOLID BAR STOCK. Thermowells with an overall length greater than 42" are constructed using a welded design and are available in straight, stepped or tapered design. However, for tapered only the last 16" are tapered.

Inconel® and Monel® are registered trademarks of Special Metals Corp.

Hastelloy® is a registered trademark of Haynes Int'l.