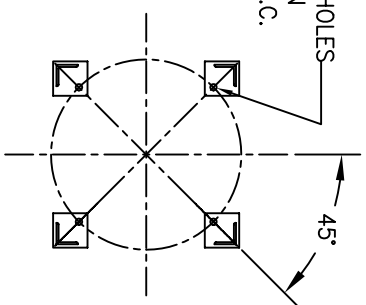


(4) 3/4"φ [19φ] BOLT HOLES LOCATED AS SHOWN ON 22.13φ [562φ] B.C.

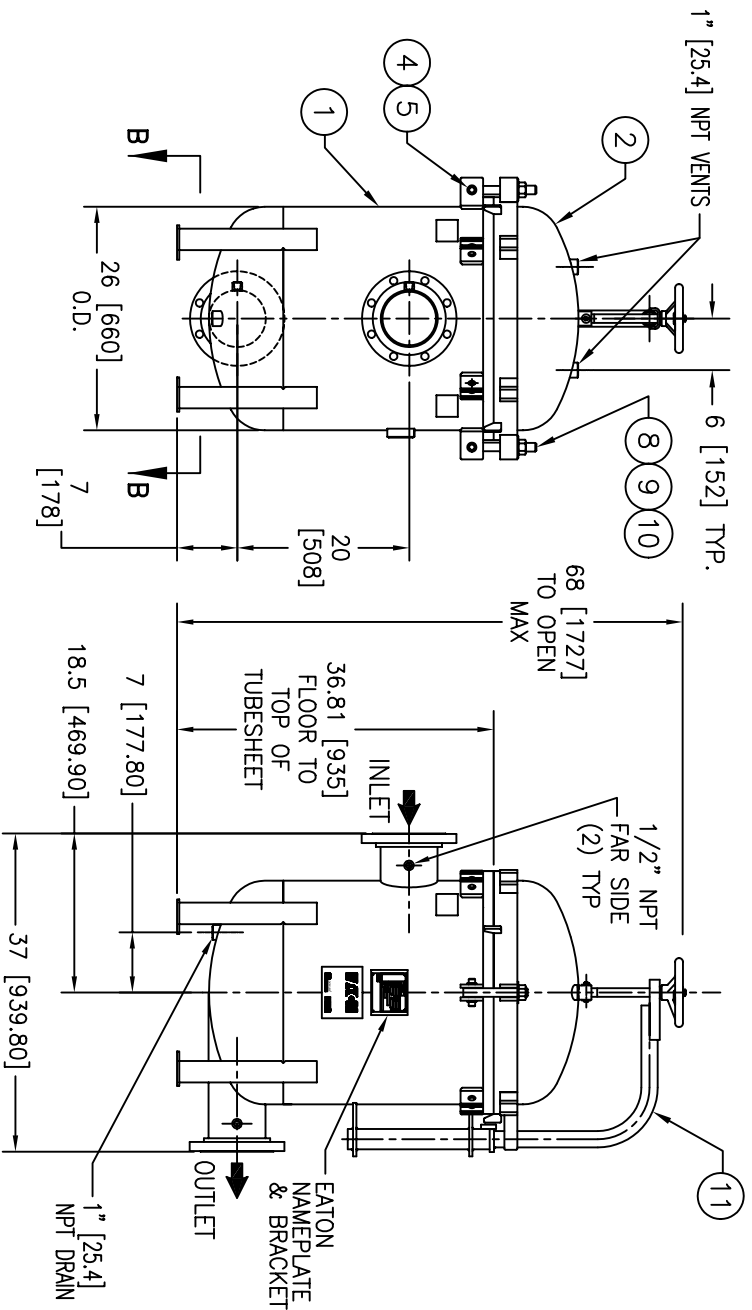


SECTION B-B

ITEM	PART NAME	MATERIAL
1	BODY	SA240 304/304L
2	COVER	SA240 304/304L
3	O-RING	BUNA-N
4	PIN	SA193 B7 ZINC PL
5	SNAP RING	STEEL ZINC PL
6	BASKET RESTRAINER	304 SS
7	FILTER BAG RETAINER	316 SS
8	EYE BOLT	SA193 B7 ZINC PL
9	HEX NUT	SA194 2H ZINC PL
10	WASHER	STEEL ZINC PL
11	DAVIT ASSEMBLY	CARBON STEEL

**NOTES:**

1. UNITS ARE TO BE DESIGNED, FABRICATED & "U" STAMPED IN ACCORDANCE WITH ASME SECT. VIII, DIV. 1 BOILER & PRESSURE VESSEL CODE, IN COMPLIANCE TO LATEST ADDENDA.
2. INLET / OUTLET FLANGE CONNECTIONS PER ANSI B 16.5.
3. DESIGN PRESSURE: 150 PSI (MAMP)  
DESIGN TEMPERATURE 250° F.  
MDMT - -20° F @ 150 PSI.
4. ALL DIMENSIONS ARE IN INCHES / (MM).
5. ALL BOLT HOLES ARE TO STRADDLE NATURAL CENTERLINES.
6. APPROX. WEIGHT (DRY) 450 LB. (204 KG.)



CERTIFIED FOR:  
P.O. NO.:  
SALES ORDER NO.:  
QUOTE NO.:  
TAG NO.:  
VESSEL CODE: MBF-0602-BB10-060A-UT-11HD  
PART NUMBER: F3AV06000003-304

**EATON**  
900 FAIRMOUNT AVENUE, ELIZABETH, NEW JERSEY 07207  
**EATON FILTRATION, LLC**  
NAME: MAXILINE MBF0602HD FILTER VESSEL  
6" 150# RF INLET/TANGENTIAL OUTLET  
STAINLESS STEEL-304

UNAUTHORIZED USE, MANUFACTURE OR REPRODUCTION IN WHOLE OR IN PART IS PROHIBITED. DRAWING, DESIGN AND OTHER DISCLOSURES PROPERTY OF EATON FILTRATION, LLC

DRAWN	FJM	DATE	12/13/06	CERT.	LH	DATE	12/13/06
SIZE	A	DWG NO		REV			A

ELECTRONIC FILE NAME: HD0606TS-304.DWG  
REF. ECR E370  
DATE 12/13/06

HD0606TS-304