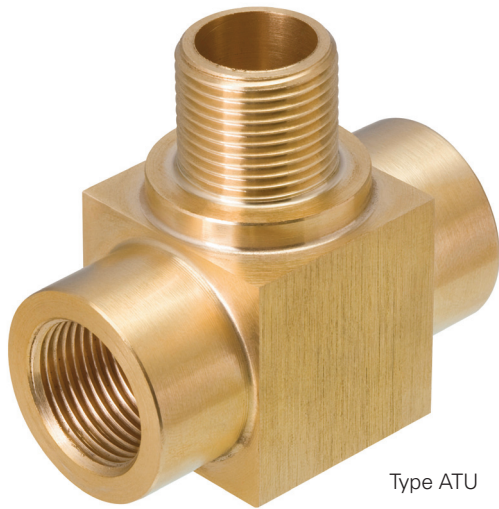


'T' (Exde) adaptors - ATU Series



Type ATU

Features

- International Ex approvals
- IP66, IP68
- Available in brass, stainless steel and mild steel

Benefits

- Provides an opportunity for two cable entries
- Can be used to change size/threadform of connection device
- Maintains Ex certification while matching threadforms

Materials

- Brass CZ121
- 316 stainless steel
- Mild steel

Threadforms

- Metric

Plating options

- Electroless nickel
- Zinc
- Others on application

Technical specification

Code of protection categories

ATEX: I M2, (not aluminium) Ex d IMb, Ex e I Mb
II 2GD, Ex d IIC Gb, Ex e IIC Gb, Ex tb IIIC Db IP6X

IECEX: Ex d I Mb, Ex e I Mb (not aluminium), Ex d IIC Gb Ex e IIC Gb,
Ex tb IIIC Db IP6X

Compliance standards

ATEX: EN 60079-0, EN 60079-1, EN 60079-7, EN 60079-31

IECEX: IEC 60079-0, IEC 60079-1, IEC 60079-7, IEC 61241-1

Certificate details

ATEX: Sira 10ATEX1056U

IECEX: IECEX SIR 10.0025U

Temperature

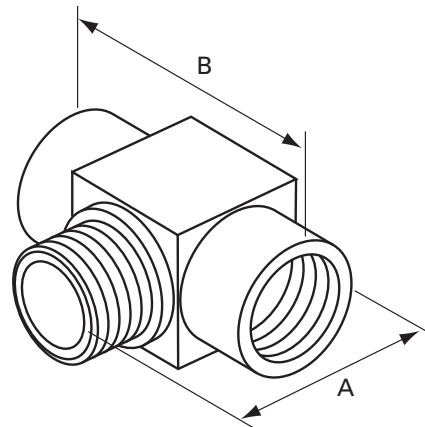
The item is classified as a component and therefore metallic products are not given an operating temperature range

Ingress protection (IP):

Independently tested to IP66 / IP68 when fitted in accordance to manufacturer's instructions

Part number:

Please refer to page 10 for part numbering system



Dimensions of metric versions

Male size	Female size	A	B
M20	M12-M25	51.00	60.00
M25	M12-M32	57.00	65.00
M32	M12-M40	66.00	72.00
M40	M12-M50	75.00	80.00
M50	M12-M63	86.00	90.00
M63	M12-M75	101.50	105.00
M75	M12-M90	119.00	120.00