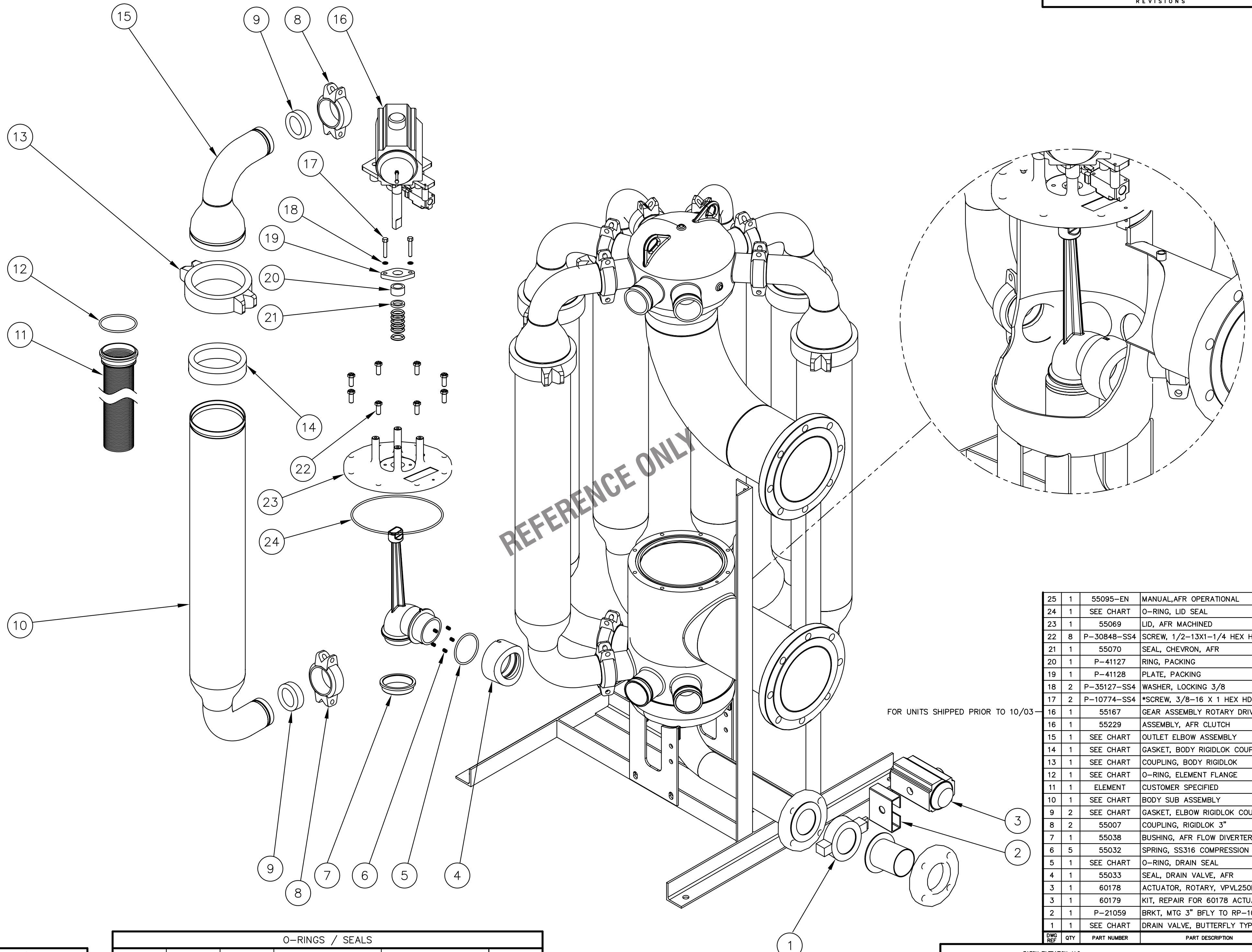


DO NOT SCALE DRAWING  
THIRD ANGLE PROJECTION



FOR UNITS SHIPPED PRIOR TO 10/03

DWG REF	QTY	PART NUMBER	PART DESCRIPTION
25	1	55095-EN	MANUAL, AFR OPERATIONAL
24	1	SEE CHART	O-RING, LID SEAL
23	1	55069	LID, AFR MACHINED
22	8	P-30848-SS4	SCREW, 1/2-13X1-1/4 HEX HD CAP
21	1	55070	SEAL, CHEVRON, AFR
20	1	P-41127	RING, PACKING
19	1	P-41128	PLATE, PACKING
18	2	P-35127-SS4	WASHER, LOCKING 3/8
17	2	P-10774-SS4	*SCREW, 3/8-16 X 1 HEX HD CAP
16	1	55167	GEAR ASSEMBLY ROTARY DRIVE
16	1	55229	ASSEMBLY, AFR CLUTCH
15	1	SEE CHART	OUTLET ELBOW ASSEMBLY
14	1	SEE CHART	GASKET, BODY RIGIDLOK COUPLING
13	1	SEE CHART	COUPLING, BODY RIGIDLOK
12	1	SEE CHART	O-RING, ELEMENT FLANGE
11	1	ELEMENT	CUSTOMER SPECIFIED
10	1	SEE CHART	BODY SUB ASSEMBLY
9	2	SEE CHART	GASKET, ELBOW RIGIDLOK COUPLING
8	2	55007	COUPLING, RIGIDLOK 3"
7	1	55038	BUSHING, AFR FLOW DIVERTER ASY
6	5	55032	SPRING, SS316 COMPRESSION
5	1	SEE CHART	O-RING, DRAIN SEAL
4	1	55033	SEAL, DRAIN VALVE, AFR
3	1	60178	ACTUATOR, ROTARY, VPVL250DAB
3	1	60179	KIT, REPAIR FOR 60178 ACTUATOR
2	1	P-21059	BRKT, MTG 3" BFLY TO RP-1000
1	1	SEE CHART	DRAIN VALVE, BUTTERFLY TYPE

O-RINGS / SEALS

MAT'L	ITEM# 5	ITEM# 9	ITEM# 12		ITEM# 14		ITEM# 24
			4" BODY	6" BODY	4" BODY	6" BODY	
BUNA-N	55080	55083	55086	55142	55089	55139	55092
EPT	55081	55084	55087	55143	55090	55140	55093
VITON	55082	55085	55088	55144	55091	55141	55094

BODIES / COMPONENTS

SIZE	ITEM# 10	ITEM# 13	ITEM# 15
4" BODY	55002	55001	55005
6" BODY	55159	55137	55160

BUTTERFLY VALVE / REPAIR KIT		
MAT'L	P/N	KIT #
BUNA-N	55074	55077
EPT	55075	55078
VITON	55076	55079

ENGINEERING APPROVAL	DRAWN BY B. STUCK	TITLE AFR FILTER UNIT SPARE PARTS
SALES/MKTG APPROVAL	SCALE NONE	DATE 12/12/03
		SIZE C
		DWG FILENAME AFR-3300-IB-PA001
		REV B

**EATON** EATON FILTRATION, LLC  
RONNINGEN-PETTER PRODUCTS  
9151 SHAWER ROAD  
PORTAGE, MICHIGAN 49024-6798 USA

THIS DRAWING AND ALL INFORMATION THEREON IS THE PROPERTY OF EATON CORPORATION. IT IS CONFIDENTIAL AND MUST NOT BE MADE PUBLIC. THIS DRAWING IS LOANED SUBJECT TO RETURN ON DEMAND, AND IS NOT TO BE USED DIRECTLY OR INDIRECTLY, IN ANY WAY DETRIMENTAL TO THE INTERESTS OF EATON FILTRATION, LLC.