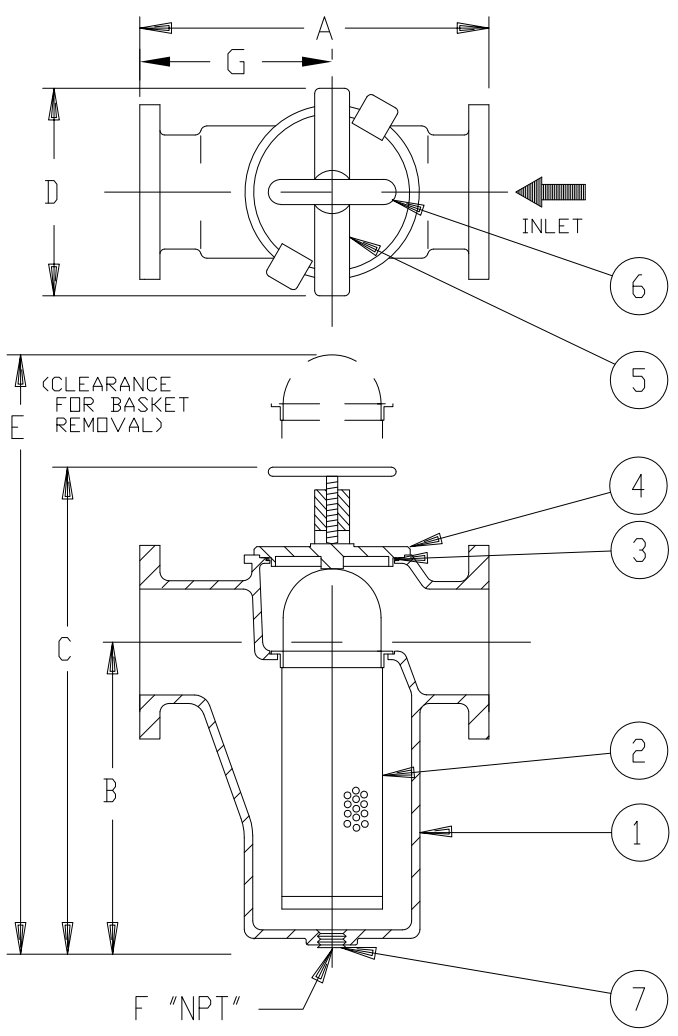



REVISIONS				
REV	DESCRIPTION	BY	ECO	DATE
F	UPDATE TITLE BLOCK	FM	0105339	12/8/2014



NO.	PART NAME	MATERIAL
1	BODY	CAST IRON ASTM A126 CL B
2	BASKET	
	PERF. DIA.	
	MESH	
3	O-RING	BUNA-N
4	COVER	CAST IRON ASTM A126 CL B
5	YOKE	DUCTILE IRON
6	YOKE SCREW	CARBON STEEL
7	DRAIN PLUG	CAST IRON ASTM A48 CL 30

- NOTES:
1. INLET/OUTLET 125 LB. FLANGED CONNECTIONS PER ASME B16.1.
 2. MAX. WORKING PRESSURE: 200 PSI @ 100° F (13.8 BAR @ 37.8° C)

PIPE SIZE (NOMINAL)	DIMENSIONS								WEIGHT (DRY)		PART NO.						
	A		B		C		D		E			F (NOM.)		G		LBS.	KGS.
1-1/2" (40mm)	7.75	197	6.50	165	10.63	270	6.00	152	14.88	378	3/4	(20)	4.44	113	12	5.5	ST30R015AF40A
2" (50mm)	9.63	245	7.50	191	11.63	295	7.50	191	17.38	441	1-1/4	(32)	5.63	143	27	12.3	ST30R020AF40A
2-1/2" (65mm)	11.00	279	9.13	232	15.25	387	8.00	203	22.38	568	1-1/4	(32)	5.88	149	45	20.5	ST30R025AF40A
3" (80mm)	11.88	302	9.13	232	15.25	387	8.00	203	22.63	568	1-1/4	(32)	6.50	165	59	26.6	ST30R030AF40A
4" (100mm)	13.75	349	9.63	245	16.63	422	9.25	235	30.00	762	1-1/2	(40)	8.44	214	71	32.2	ST30R040AF40A
6" (150mm)	17.50	445	12.38	315	26.13	664	14.75	375	35.00	889	2	(50)	10.31	262	150	68.1	ST30R060AF40A
8" (200mm)	23.63	600	17.75	451	32.63	829	14.75	375	48.00	1219	2	(50)	14.50	368	230	104.3	ST30R080AF40A

DRAWN BY VAA		SCALE AS DRAWN		RESTRICTION RESTRICTED		SHEET 1 OF 1		PROJECTION THIRD ANGLE		DATE 5/8/92		SIZE A		DWG FILENAME SD30R061		REV F		 HYDRAULICS GROUP FILTRATION DIVISION GALESBURG, MICHIGAN, USA • TINTON FALLS, NEW JERSEY, USA	
																		CUSTOMER INFO NAME P.O. NO. TAG NO. S.O. NO. PART NO. SEE TABLE	
EATON CORPORATION - CONFIDENTIAL AND PROPRIETARY NOTICE TO PERSONS RECEIVING THIS DRAWING AND/OR TECHNICAL INFORMATION THIS DOCUMENT, INCLUDING THE DRAWING AND INFORMATION CONTAINED THEREON IS CONFIDENTIAL AND IS THE EXCLUSIVE PROPERTY OF EATON AT ANY TIME. BY TAKING THE POSSESSION OF THIS DOCUMENT THE RECIPIENT ACKNOWLEDGES AND AGREES THAT THIS DOCUMENT CANNOT BE USED IN ANY MANNER ADVERSE TO THE INTEREST OF EATON AND THAT NO PORTION OF THIS DRAWING MAY BE COPIED OR OTHERWISE REPRODUCED WITHOUT THE PRIOR WRITTEN CONSENT OF EATON, IN THE CASE OF CONFLICTING CONTRACTUAL PROVISIONS, THIS NOTICE SHALL GOVERN THE STATUS OF THIS DOCUMENT. 2014 EATON CORPORATION - ALL RIGHTS RESERVED.																			