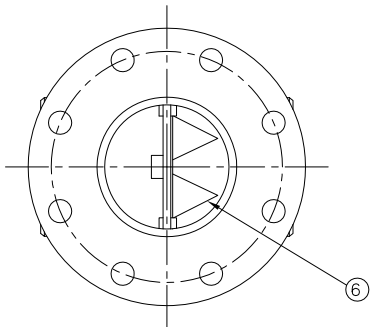
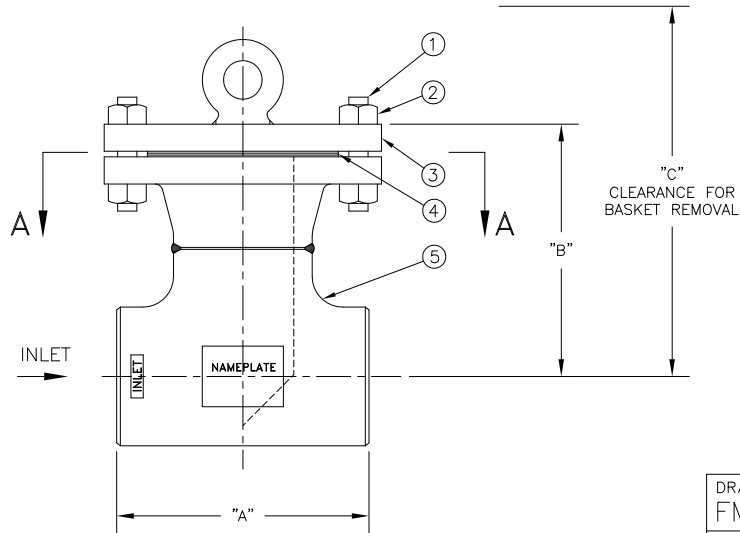


PIPE SIZE (NOMINAL)	DIMENSIONS			APPROX. WEIGHT (DRY) LBS. (KGS)	PART NO.
	"A"	"B"	"C"		
	IN. (MM)	IN. (MM)	IN. (MM)		
2 (50mm)	5.00 / 127	6.19 / 157	15.00 / 381	28 / 12.7	ST091020DB3BA
3 (80mm)	6.75 / 171	7.69 / 195	18.00 / 457	63 / 28.6	ST091030DB3BA
4 (100mm)	8.25 / 210	8.81 / 224	21.00 / 533	78 / 35.4	ST091040DB3BA
5 (125mm)	9.75 / 248	10.25 / 260	24.00 / 610	98 / 44.5	ST091050DB3BA
6 (150mm)	11.25 / 286	11.00 / 279	26.00 / 660	138 / 62.6	ST091060DB3BA
8 (200mm)	14.00 / 356	13.12 / 333	31.00 / 787	220 / 99.8	ST091080DB3BA
10 (250mm)	17.00 / 432	15.12 / 384	35.00 / 889	382 / 173.3	ST091100DB3BA
12 (300mm)	20.00 / 508	17.25 / 438	40.00 / 1016	470 / 213.2	ST091120DB3BA

REVISIONS				
REV	DESCRIPTION	BY	ECO	DATE
C	UPDATE TITLE BLOCK	FM	0104921	11/24/2014



SECT. A-A



NO.	PART NAME	MATERIAL
1	STUDS	ASTM A193 GR. B7
2	NUTS	ASTM A194 GR. 2H
3	COVER	CARBON STEEL
4	GASKET	NON-ASBESTOS
5	BODY	CARBON STEEL
6	BASKET	316 SSSL
	PERF. / MESH	

NOTES:

1. STRAINER IS DESIGNED AND FABRICATED IN ACCORDANCE WITH ASME B31.1 POWER PIPING CODE.
2. ALL DIMENSIONS ON IN INCHES / MM.
3. ALL FITTINGS CONFORM TO ASME STANDARD.
4. DESIGN PRESSURE: 375 PSIG @ 150°F
(25.9 BAR @ 65.6°C)

DRAWN BY FM		HYDRAULICS GROUP FILTRATION DIVISION <small>GALESBURG, MICHIGAN, USA • TINTON FALLS, NEW JERSEY, USA</small>			
SCALE AS DRAWN					
RESTRICTION RESTRICTED		TITLE MODEL 91 TEE STRAINER BOLTED COVER SIZES 2" TO 12" 300# BWE CONNECTION CARBON STEEL			
SHEET 1 OF 1		DATE 4/17/98	SIZE A	DWG FILENAME SD091BC18	REV C
PROJECTION THIRD ANGLE		<small>EATON CORPORATION - CONFIDENTIAL AND PROPRIETARY NOTICE TO PERSONS RECEIVING THIS DRAWING AND/OR TECHNICAL INFORMATION. THIS DOCUMENT, INCLUDING THE DRAWING AND INFORMATION CONTAINED THEREON IS CONFIDENTIAL AND IS THE EXCLUSIVE PROPERTY OF EATON AT ANY TIME. BY TAKING THE POSSESSION OF THIS DOCUMENT THE RECIPIENT ACKNOWLEDGES AND AGREES THAT THIS DOCUMENT CANNOT BE USED IN ANY MANNER ADVERSE TO THE INTEREST OF EATON AND THAT NO PORTION OF THIS DRAWING MAY BE COPIED OR OTHERWISE REPRODUCED WITHOUT THE PRIOR WRITTEN CONSENT OF EATON, IN THE CASE OF CONFLICTING CONTRACTUAL PROVISIONS, THIS NOTICE SHALL GOVERN THE STATUS OF THIS DOCUMENT.</small>			

CUSTOMER INFO	
NAME	
P.O. NO.	
TAG NO.	
S.O. NO.	
PART NO.	SEE TABLE

EATON CORPORATION - CONFIDENTIAL AND PROPRIETARY NOTICE TO PERSONS RECEIVING THIS DRAWING AND/OR TECHNICAL INFORMATION. THIS DOCUMENT, INCLUDING THE DRAWING AND INFORMATION CONTAINED THEREON IS CONFIDENTIAL AND IS THE EXCLUSIVE PROPERTY OF EATON AT ANY TIME. BY TAKING THE POSSESSION OF THIS DOCUMENT THE RECIPIENT ACKNOWLEDGES AND AGREES THAT THIS DOCUMENT CANNOT BE USED IN ANY MANNER ADVERSE TO THE INTEREST OF EATON AND THAT NO PORTION OF THIS DRAWING MAY BE COPIED OR OTHERWISE REPRODUCED WITHOUT THE PRIOR WRITTEN CONSENT OF EATON, IN THE CASE OF CONFLICTING CONTRACTUAL PROVISIONS, THIS NOTICE SHALL GOVERN THE STATUS OF THIS DOCUMENT.

2014 EATON CORPORATION - ALL RIGHTS RESERVED.