

DEMCO Gate Valves

Dependability, in-line repairability, flexible trim options and drop-tight, position shutoff

TECHNOLOGY



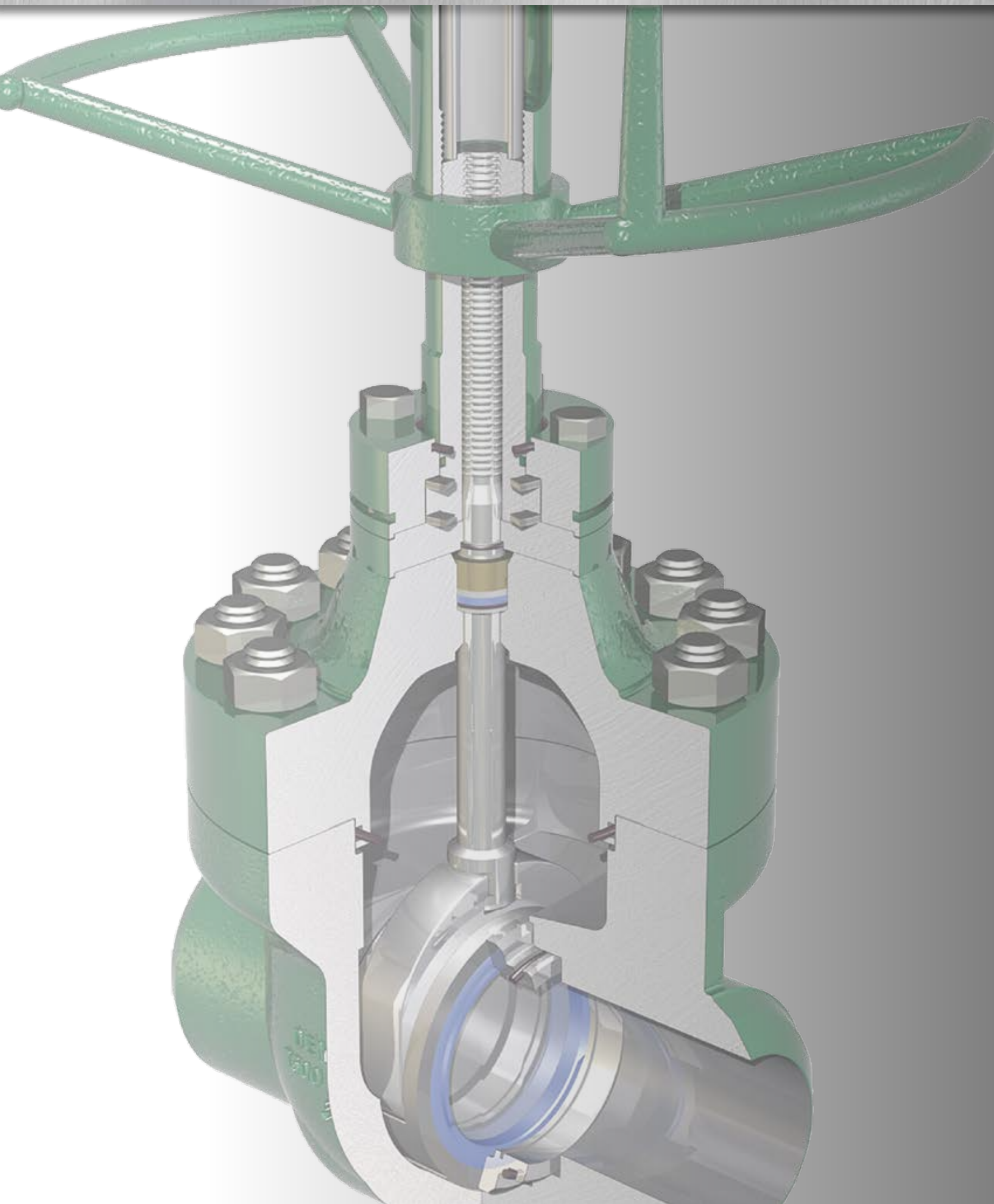


Table of Contents

DEMCO GATE VALVES

Introduction.....	2
Series DM Gate Valves	3
Series DM 1000 to 5000 psi Gate Valves.....	4
Series DM 7500 psi Gate Valves	5
Series DT/DB Gate Valves	7
Enhanced Oil Recovery Accessories	9
Product Specifications	
General Technical Information.....	10
Dimensions and Materials/Parts List	
Series DM 7500 Gate Valves – 7500 psi WP.....	12
Series DM Gate Valves – 2000, 3000, and 5000 psi WP.....	22
Series DM Gate Valves – ASME Class 600	34
Series DM Gate Valves – ASME Classes 900 and 1500	38
Series DT Gate Valves – ASME Classes 600, 900, and 1500.....	42
Services for Valves and Actuation	52
Trademark Information	53

DEMCO Gate Valves



Oklahoma City,
Okla., USA

Cameron is a leading provider of valves, valve automation, and measurement systems to the oil and gas industry. Our products are primarily used to control, direct, and measure the flow of oil and gas as it is moved to refineries, petrochemical plants, and industrial centers for processing.

We provide valve products that are sold through distributor networks worldwide for use in both oil and gas and industrial applications and include such widely recognized brands as DEMCO®, NAVCO®, NEWCO®, NUTRON®, THORNHILL CRAVER®, TECHNO™, TOM WHEATLEY®, WHEATLEY®, and WKM®.

Cameron's DEMCO gate valves are the valves of choice, engineered and proven for drilling and production industries. Designed for dependable, heavy-duty performance in abrasive and corrosive service conditions, DEMCO gate valves are commonly selected for a number of oilfield applications.

SERIES DM GATE VALVES

Cameron's DEMCO Series DM gate valves, the premier gate valve in the oil and gas drilling market, are specifically engineered for the rigorous requirements of oilfield applications. Designed for dependable, heavy-duty performance in abrasive service conditions, DEMCO DM gate valves are commonly selected for a number of oilfield applications, including:

- Drilling standpipe manifold
- Pump manifold block valves
- High-pressure mud mixing lines
- High-pressure drilling system block valves

The DEMCO Series DM gate valves are available in ASME Classes 600, 900, and 1500. They also are available in API working pressures 2000, 3000, and 5000 psig (not API monogrammed).

Features and Benefits

In-Line Field Repairability

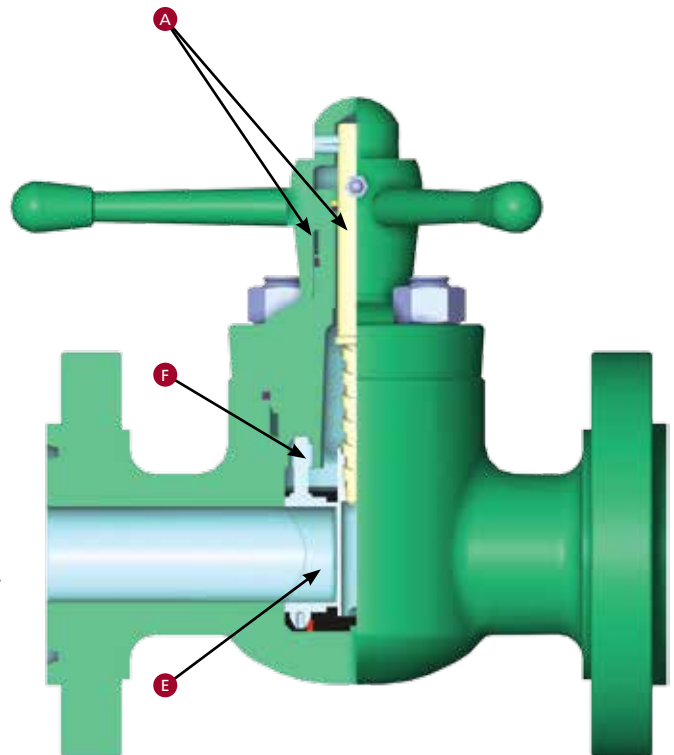
The bonnet is easily removed for internal parts inspection and/or replacement without removing the valve from the line. This design simplicity permits fast and easy service without the need for special tools.

Flexible Trim Offerings

Optional materials for stems, gates, seat inserts and seat elastomers make it easier to trim valves for a wide range of service conditions. Three internal plastic coatings for the body and bonnet are offered to improve resistance to wear and corrosion.

Double Acting Thread Design for Fast Operation

- A. The ASME series double acting thread design contains a threaded stem in the gate working with threads in the bonnet and handle assembly. Stems are polished and include a dependable O-ring and anti-extrusion seal. This unique design is economical and effective. Note: the 4" (100 mm) ASME Class 1500 valve is a double acting, rising stem design, similar to the 4" (100 mm) 3000 psi valve.
- B. The DM 2000, 3000, and 5000 psig working pressure valves contain double acting threads working together in a specially designed stem screw, screw housing, and stem arrangement.
- C. The rising stem design protects the stem threads from the lading.
- D. Larger DM 3000 and 5000 psi gate valves include a sight lens to view the stem for determining gate position.



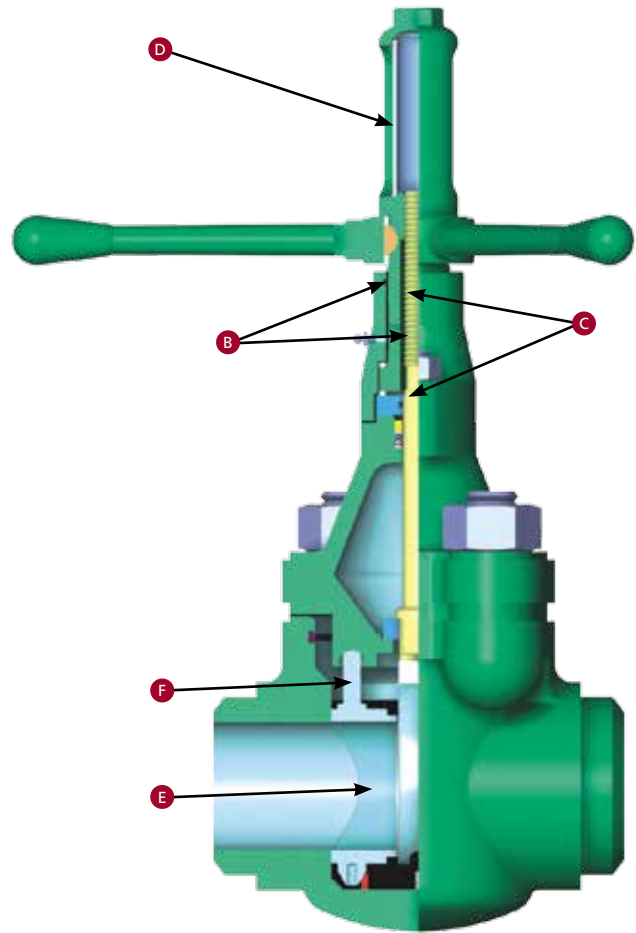
Series DM 3" (80 mm) ASME 900/1500 Gate Valve

SERIES DM 1000 TO 5000 PSI GATE VALVES

Exclusive Seat Design for Drop-Tight Sealing

The DEMCO Series DM gate valve seat uses a unique design to provide a drop-tight shutoff in abrasive and erosive service.

- E.** The seat consists of two identical metal wear rings encapsulated in elastomer to form a cylindrical shape with a gate slot and two round ports. The closed gate bears on the downstream wear ring, while the elastomer provides a drop-tight pressure-responsive seal around the port.
- F.** The cylindrical seat assembly fits into the machined body cavity and is expanded outward toward the valve ports by the bonnet and spread ring in the bottom of the seat. The expansion occurs when the bonnet is tightened onto the body while engaging the seat pin extensions from both wear rings. The spread ring ensures the seat elastomer presses uniformly against the body bore. This design ensures the seat seals tight against the body and around each valve port. This design has proven to be effective even if the gate and seat ring become scored or abraded during service. When it comes time for maintenance, the seat's single-piece design makes it easy to pull out of the body for replacement.



Series DM 4" (100 mm) 5000 WP Gate Valve (Four-Bolt Design Shown)



For proper valve repair, use Cameron's DEMCO replacement parts.

SERIES DM 7500 PSI GATE VALVES

Features and Benefits

In-Line Field Repairability

The bonnet is easily removed for internal parts inspection and/or replacement without removing the valve from the line. This design simplicity permits fast and easy service without the need for special tools.

Heavy-Duty Roller Bearings

Heavy-duty stem roller bearings reduce torque on 4" (100 mm) and larger valves.

Floating Slab Gate Design

A slab gate with a "T" slot stem connection allows the gate to float to the seat, providing a tighter pressure-responsive seal.

A. Unique, abrasion resistant, one-piece seat design

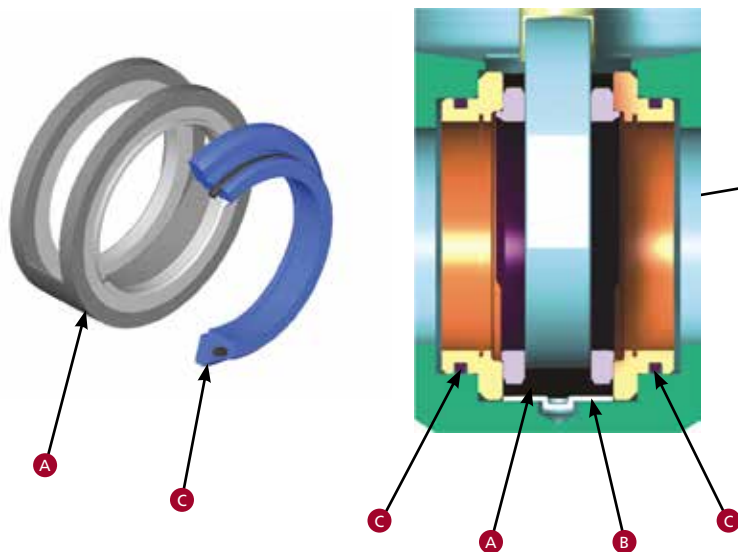
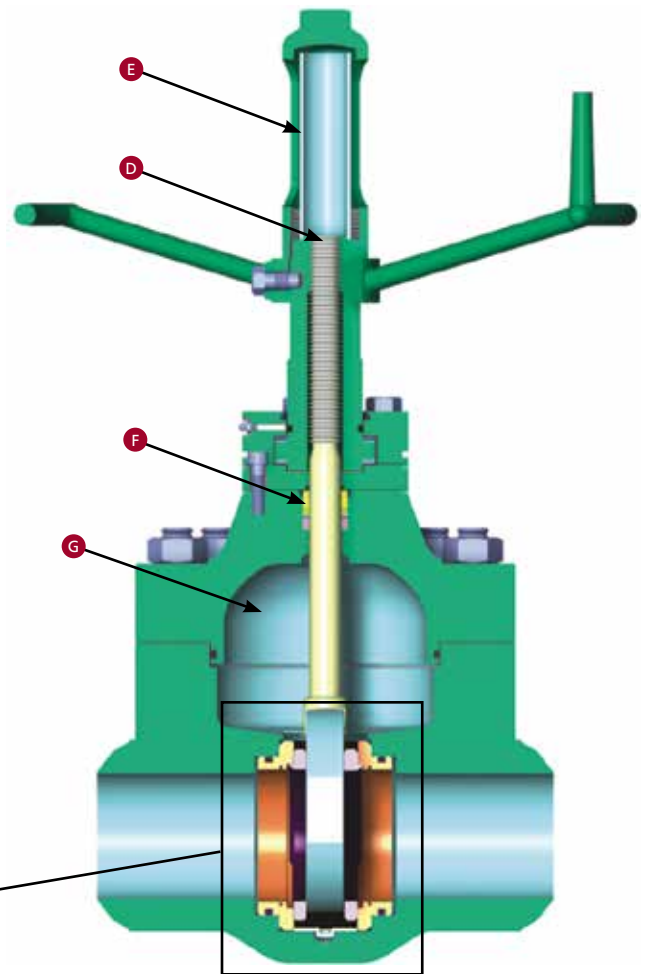
The seat assembly consists of two stainless steel insert/support rings to which a resilient elastomer is permanently bonded. The elastomer provides tight shutoff after long use in abrasive service. The stainless steel rings are corrosion and erosion resistant. The one-piece design makes field replacement easier.

B. Locking seat alignment

The seat assembly is engineered with a metal lock shell that aligns the seat in the bottom of the valve. This design ensures accurate seat alignment with reduced resistance to flow.

C. Body wear rings

Surface hardened alloy body wear rings back up both sides of the seat. These rings extend the service life of the valve by absorbing erosive wear that can cause damage to the body around the seat bore area.



D. Rising stem design

The DEMCO DM 7500 gate valve uses a rising stem design that isolates and protects the threads from the line medium. The rising stem also indicates gate position.

E. Visual position indicator lens

On 3" (80 mm) and larger valves, a clear position indicator lens allows the operator to easily determine whether the valve is open or closed. The indicator lens also helps to protect the stem threads from the elements.

F. Replaceable stem packing

The stem packing can be replaced without removing the bonnet from the valve, 3" to 6" (80 mm to 150 mm), saving time when this maintenance may be required. Note: line and valve pressure must be relieved before performing this maintenance.

G. Flow cleansed design

The body cavity area is designed to allow continuous flushing by the fluid flow. This action prevents the valve from sanding up, even in standpipe installations.

DM Series Pressure Classes and Sizes

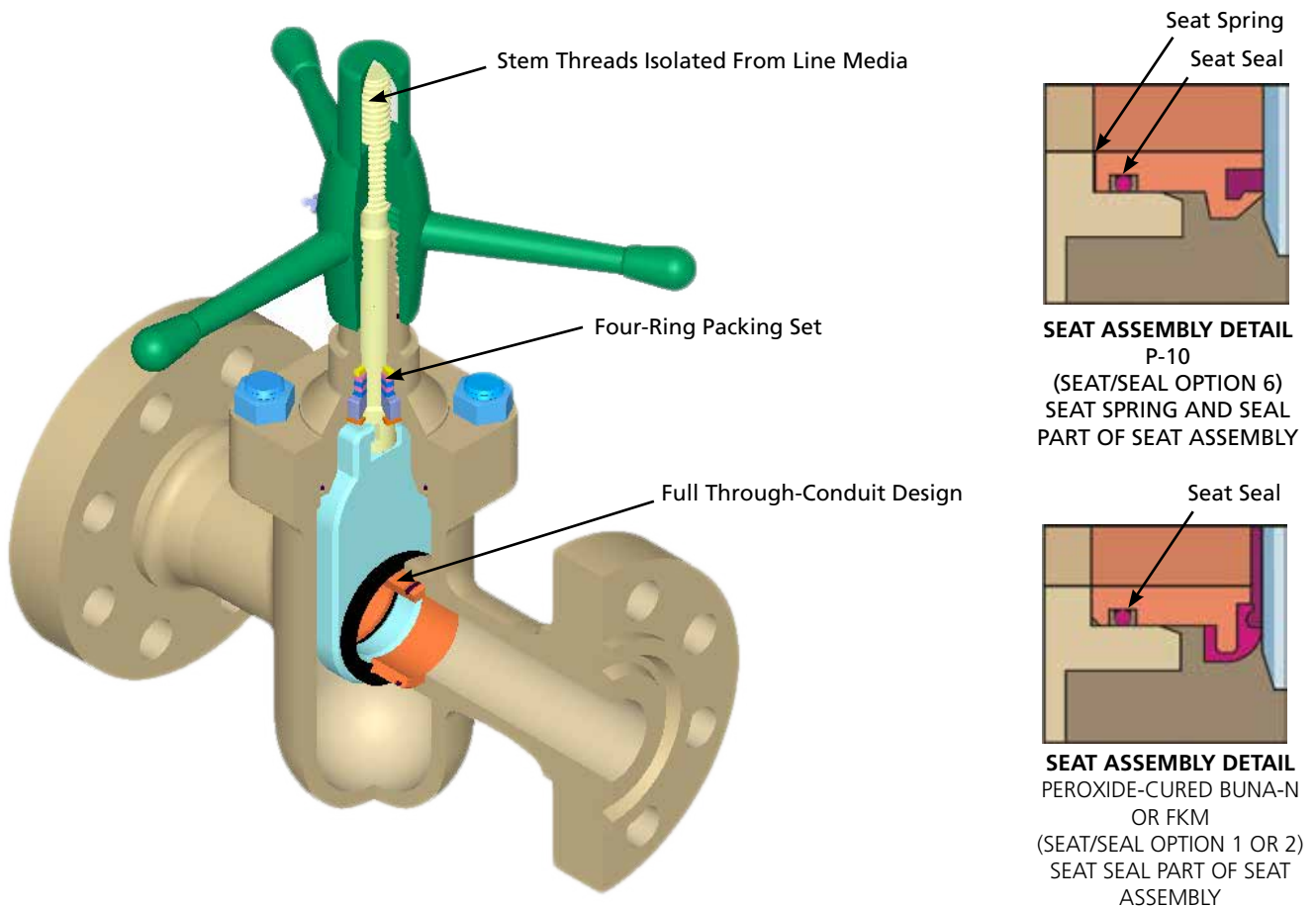
Size	in.	(mm)	600	900	1500	1000	2000	3000	5000	7500
RP	2" x 1-1/2"	(40)	•							•
FP	2	(50)	•	•	•		•	•	•	•
FP	2-1/2	(65)	•	•	•		•	•		
FP	3	(80)	•	•	•		•	•	•	•
FP	4	(100)	•	•	•		•	•	•	•
FP	5	(125)				•		•	•	•
FP	6	(150)	•	•						
RP	2 x 1-1/2	(50 x 40)	•							
RP	2-1/2 x 2	(65 x 50)					•	•	•	
RP	3 x 2	(80 x 50)	•							
RP	4 x 3	(100 x 80)						•	•	•
RP	5 x 4	(125 x 100)						•	•	•
RP	6 x 4	(150 x 100)							•	
RP	6 x 5	(150 x 125)							•	•
RP	8 x 6	(200 x 150)	•							

SERIES DT/DB GATE VALVES

Cameron's DEMCO Series DT/DB gate valves are recognized for their quality design, rugged dependability, and corrosion resistance, particularly for use in waterflood and CO₂ applications.

DEMCO aluminum bronze and stainless steel valves and accessories are designed specifically for the demanding requirements of corrosive CO₂ injection and waterflood applications in the enhanced oil recovery market.

- The handle moves up and down on the bonnet, or the top of the stem is visible during operation, providing visible aid to determine whether the valve is open or closed.



SEE PAGES 36 THROUGH 43 FOR MATERIAL SPECIFICATIONS

Optional Materials:

DT Series:

- SS Body and Bonnet, FKM or P-10 Seats

DB Series:

- FKM Seat Elastomer
- Peroxide-Cured Buna-N

DT and DB Series Pressure Classes and Sizes

DT Series Threaded and Flanged						
Size	in.	(mm)		ASME Class 600	ASME Class 900	ASME Class 1500
FP	2	(50)		•	•	•
FP	2-1/2	(65)		•	•	•
FP	3	(80)		•	•	•
FP	4	(100)	(Flanged Only)	•	•	•
FP	6	(150)	(Flanged Only)		•	•
DB Series Valves (Consult Cameron for Drawings)						
FP	6	(150)		•	•	•
RP	8 x 6	(200 x 150)		•	•	

Features and Benefits

In-Line Field Repairability

The bonnet is easily removed for internal parts inspection and/or replacement without removing the valve from the line. This design simplicity permits fast and easy service without the need for special tools.

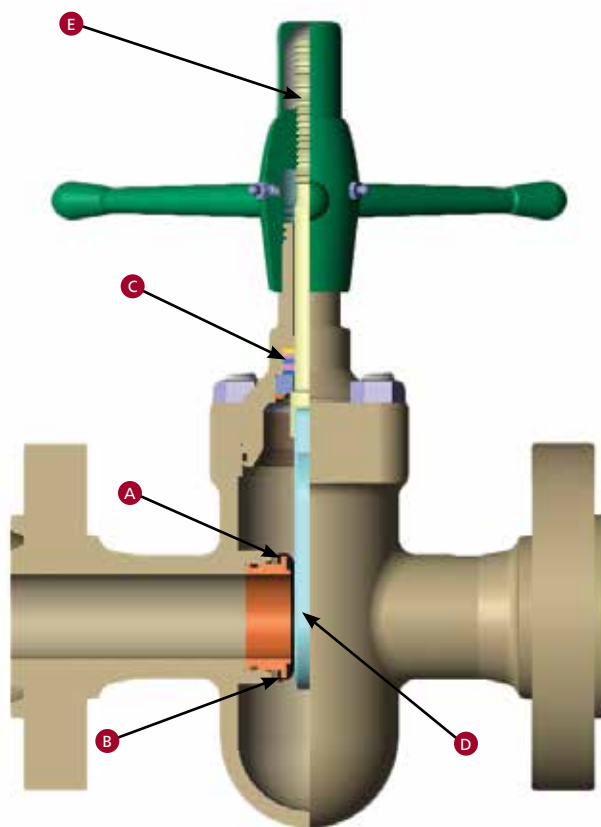
Corrosion-Resistant Materials are Standard

Body and bonnet materials, as well as all internal wetted parts, comply with NACE RP-0475.

Rising Stem Design

The handle moves up and down on the bonnet, or the top of the stem is visible during operation, providing visible aid to determine whether the valve is open or closed.

- A. **Pressure-responsive drop-tight sealing**
Standard seats consist of 316 SS seat rings encapsulated with peroxide-cured Buna-N elastomer to provide reliable, drop-tight sealing for extended service life.
- B. **Superior abrasion resistance**
Buna-N elastomer encapsulated seats also provide an excellent deterrent to abrasion, further enhancing extended service life.
- C. **Four-ring stem packing set**
The DEMCO Series DT stem seal design uses four packing rings, preventing leakage into the stem journal and outside the valve.
- D. **Through-conduit gate design**
Full through-conduit design ensures non-turbulent flow and gate alignment for improved valve performance and longer service life.
- E. **Non-wetted stem thread design**
The DEMCO stem design isolates corrosive lading from contacting stem threads, preventing stem seizure and ensuring long, trouble-free valve performance.



Series DT Gate Valves

For proper valve repair, use Cameron's DEMCO replacement parts.

Series DB Gate Valve

The DEMCO Series DB gate valve is available for the large 6" (150 mm) and 8" (200 mm) pipe sizes in the enhanced oil recovery market. These valves also feature an aluminum bronze body and bonnet as standard. Internal parts are 316 SS. The exclusive seat design of the DEMCO Series DB gate valve is the same proven design found in the DEMCO Series DM gate valve. The seat consists of two identical metal wear rings encapsulated in elastomer to form a cylindrical shape with a gate slot and two round ports. The closed gate bears down on the downstream wear ring, while the elastomer provides a drop-tight pressure-responsive seal around the port. This design provides an effective seal even if the gate and seat ring become scored or abraded during service. The DEMCO Series DB gate valve also is field repairable while the valve is in-line.



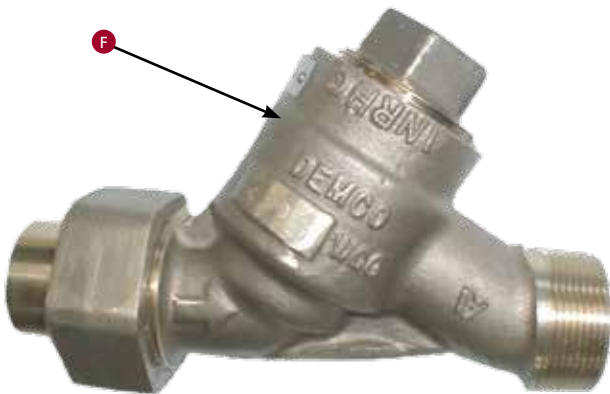
Flow Tees

ENHANCED OIL RECOVERY ACCESSORIES

Accessories

Ball check valves, flow tees, and strainers are available to complete requirements for an entire injection assembly.

- F. Ball Check Valves
- G. Flow Tees
- H. Strainers



Ball Check Valves



Strainers

Product Specifications

SERIES DM, DT, AND DB GATE VALVES

GENERAL TECHNICAL INFORMATION

Valve Size Designations and Weld End Dimensional Information

- All references to pipe size in this catalog are the nominal size.
The actual OD and ID for various nominal sizes and schedules are tabulated below.
Weld end bodies are machined at each end to match the pipe OD and ID.

Nominal Size			ID			
in.	(mm)	OD	Sch 40	Sch 80	Sch 160	XXH
1-1/2	(40)	1.900	1.610	1.500	-	-
2	(50)	2.375	2.067	1.939	1.687	1.503
2-1/2	(65)	2.875	2.469	2.323	2.125	1.771
3	(80)	3.500	3.068	2.900	2.624	2.300
4	(100)	4.500	4.026	3.826	3.438	3.152
5	(125)	5.563	-	4.813	4.313	4.063
6	(150)	6.625	6.065	5.761	5.187	4.897

- Reduced port valve size descriptions are designated by two numbers.
The first number is the nominal size of the end connection.
The second number is the ID of the valve seat (dimension "C" in the tables).

PRESSURE RATINGS

DEMCO gate valves are designed for the maximum working pressures and test pressures tabulated below.

ASME Class 600	ASME Class 900	ASME Class 1500	1000	2000	3000	5000	7500
			WP	WP	WP	WP	WP
1480 WP	2220 WP	3705 WP	1000 WP	2000 WP	3000 WP	5000 WP	7500 WP
2225 Test	3350 Test	5575 Test	2000 Test	4000 Test	6000 Test	7500 Test	11,250 Test

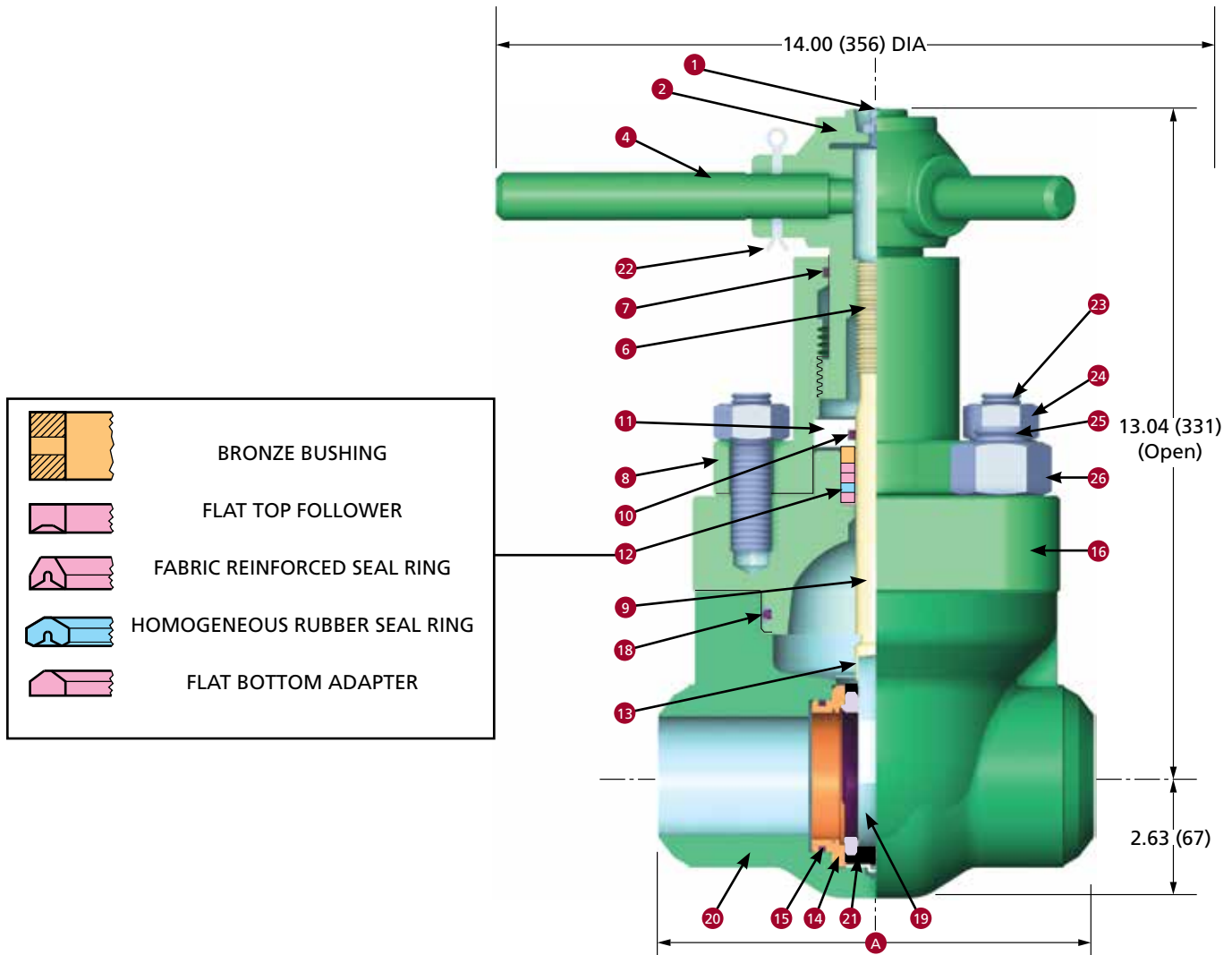
Gate valve rating must be selected to match the piping system in which the valve will be installed. Tabulated below are working pressures at 100° F (38° C) for ASTM A106 Grade B and AISI 4130 60K minimum yield pipe in sizes corresponding to DEMCO gate valves.

Size		ASTM A106 Grade B				4130 60k Min. Yield
in.	(mm)	Sch 40	Sch 80	Sch 160	XXH	XXH
1-1/2	(40)	1340	2430	-	-	-
2	(50)	1210	2220	4300	5970	10,234
2-1/2	(65)	1620	2590	3950	6590	-
3	(80)	1460	2370	3930	5880	10,080
4	(100)	1300	2130	3830	5150	8826
5	(125)	-	1970	3730	4650	7971
6	(150)	1110	1970	3650	4724	8098
8	(200)	1030	1790	-	-	-

Dimensions and Materials/Parts List

SERIES DM 7500 GATE VALVES – 7500 PSI WP

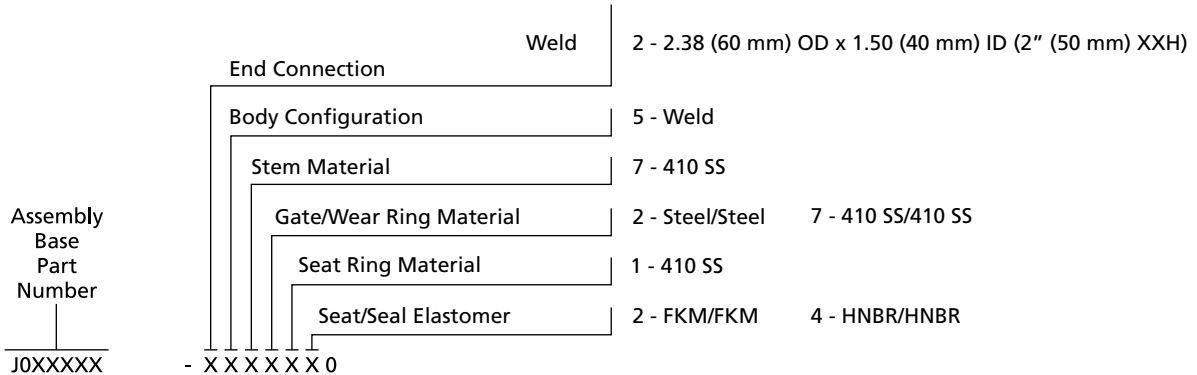
2" (50 mm) XXH with 1-1/2" (40 mm) Bore



Dimensional Data and Weights

Dimension		Valve Size: 2" (50 mm) RP
		7500 WP
A	Weld End	9.00 (229)
Valve Seat ID		1.50 (40)
Number of Handle Turns from Open to Closed		7.00
Weight lb (kg)		
Weld End		76 (34)

ASSEMBLY PART NUMBER



- Group 1** Basic valve. Hydrostatic shell test: 11,250 psi for three minutes. Hydrostatic seat test: 7500 psi for three minutes, each side. Material traceability on body and bonnet.
- Group 2** Same as Group 1, except: Hydrostatic shell test: 11,250 psi for three minutes, drop to 0 psi, then 11,250 psi for 15 minutes. Test is charted. Hydrostatic seat test: 7500 psi for three minutes, drop to 0 psi, 7500 for 15 minutes, drop to 0 psi, then 300 psi for five minutes, each side. Test is charted. Material traceability on body, bonnet, stem, and bolting. Impact tests at or below -50° F (-46° C) on body, bonnet, stem and bolting. Surface NDE on body, bonnet and stem.
- Group 3** Same as Group 2, plus volumetric NDE on body and bonnet.

Parts List

Key No.	Qty.	Description	Valve Size: 2" (50 mm) RP			
			Group 1	Group 2	Group 3	
		Assembly Base Number	XXH Weld End: General Service XXH Weld End: NACE Compliant	J025196 J025200	J025197 J025201	J025217 J025218
1	1	Lube Fitting	Steel	005929-18		
2	1	Handle	Ductile Iron ASTM A536 Grade 65-45-12	2139712-01		
4	1	Lock Handle	AISI C-1213	J001891		
■	6	Stem Screw	AISI C-1213	J001913		
■	7	Housing Seal	Buna-N	J005526-224		
8	1	Screw Housing	ASTM A350 Grade LF2 Class 1	J024982		
■	9	Stem	410 SS	2269413-01		
■	10	Secondary Seal	HNBR FKM	2712425-13 J005531-210		
11	1	Packing Retainer	AISI C-1213 17-4 PH SS	J001940 -	- J021432	
■	12	Stem Seal Assembly (With Bronze Bushing – ASTM B505 Alloy 93200)	HNBR FKM	J023231-008 J023231-006		
■●	13	Gate Clip	AISI 302 SS	M450480		
■●	14	Body Wear Ring	For Steel Gate, AISI 4140 w/QPQ Nitride Coating For SS Gate, AISI 410 Stainless Steel	2269414-01 2269414-02		
■●	15	Wear Ring Seal	HNBR FKM	2712425-18 J005521-225		
16	1	Bonnet	ASTM A487 Grade 4 Class D	J024985-030	2140428-01	
■●	18	Bonnet Seal	HNBR FKM	2712425-60 J005521-342		
■●	19	Gate	Steel AISI 4140 w/QPQ Nitride Coating 410 SS	2269412-01 2269412-02		
20	1	Body Materials	Weld End – ASTM A487 Grade 4 Class D	Consult Cameron Body Part Numbers		
■●	21	Seat	Rings: AISI 410 SS; Elastomer: HNBR Rings: AISI 410 SS; Elastomer: FKM	2269403-01 2269403-02		
22	1	Cotter Pin	Steel	J005420-18728		
23	2	Housing Stud		J002066	J021436	
24	2	Housing Stud Nut	Materials	ASTM A193 Grade B7 2709000-08-01	ASTM A193 Grade L7 J053252-034	
25	4	Body Stud	Materials	ASTM A194 Grade 2H J015432	ASTM A194 Grade 7 J021442	
26	4	Body Stud Nut	Materials	ASTM A193 Grade B7 2709000-10-01	ASTM A193 Grade L7 J053252-038	
			Materials	ASTM A194 Grade 2H	ASTM A194 Grade 7	

■ Major repair kit J025177-11574 – One each for one year of service.

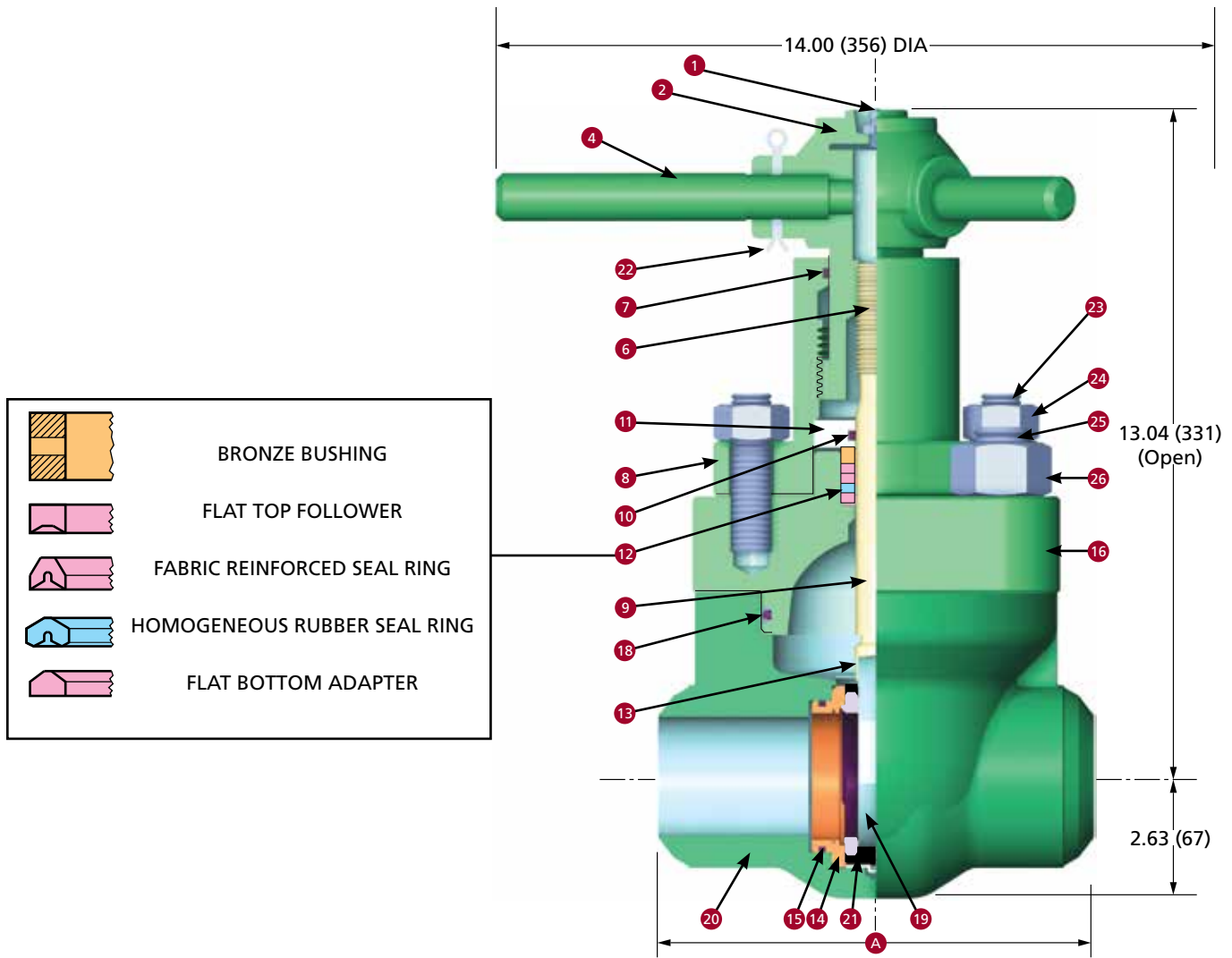
● Minor repair kit J025177-01574.

Major and minor repair kits listed for trim option J0XXXXX-XX72140 (410 SS Stem, Steel/QPQ Gate, HNBR Seat/Seals)

Consult Cameron for optional repair kit trim options

SERIES DM 7500 GATE VALVES – 7500 PSI WP

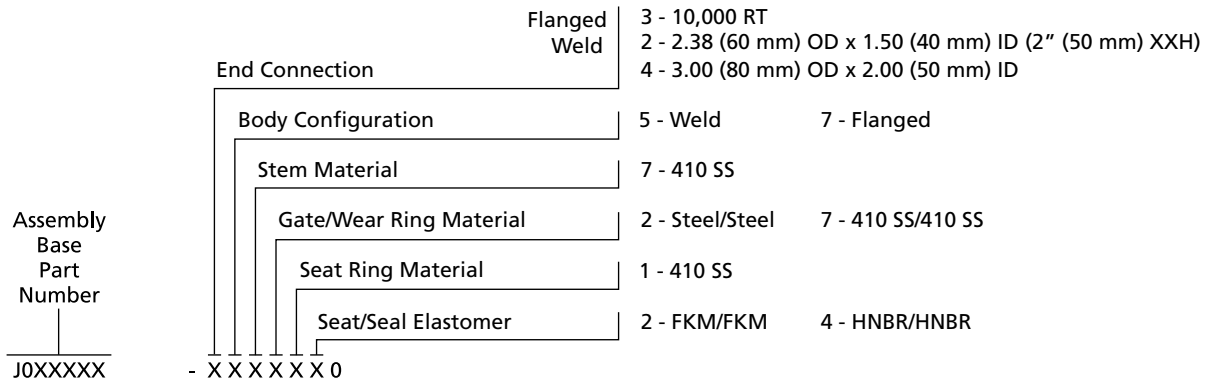
2" (50 mm) Full Port



Dimensional Data and Weights

Dimension		Valve Size: 2" (50 mm) FP 7500 WP
A	Weld End	9.00 (229)
	Flanged End, API Length	20.50 (521)
Valve Seat ID		2.00 (50)
For Flanged Ends		
	API Ring Number	BX-152
	Flange ID	2.06 (52)
	Flange OD	7.88 (200)
	Flange Bolts (Qty., Size: in.)	8 – 3/4
Number of Handle Turns from Open to Closed		8.60
Weight lb (kg)		
	Weld End	76 (34)
	Flanged End	124 (56)

ASSEMBLY PART NUMBER



- Group 1** Basic valve. Hydrostatic shell test: 11,250 psi for three minutes. Hydrostatic seat test: 7500 psi for three minutes, each side. Material traceability on body and bonnet.
- Group 2** Same as Group 1, except: Hydrostatic shell test: 11,250 psi for three minutes, drop to 0 psi, then 11,250 psi for 15 minutes. Test is charted. Hydrostatic seat test: 7500 psi for three minutes, drop to 0 psi, 7500 for 15 minutes, drop to 0 psi, then 300 psi for five minutes, each side. Test is charted. Material traceability on body, bonnet, stem, and bolting. Impact tests at or below -50° F (-46° C) on body, bonnet, stem and bolting. Surface NDE on body, bonnet and stem.
- Group 3** Same as Group 2, plus volumetric NDE on body and bonnet.

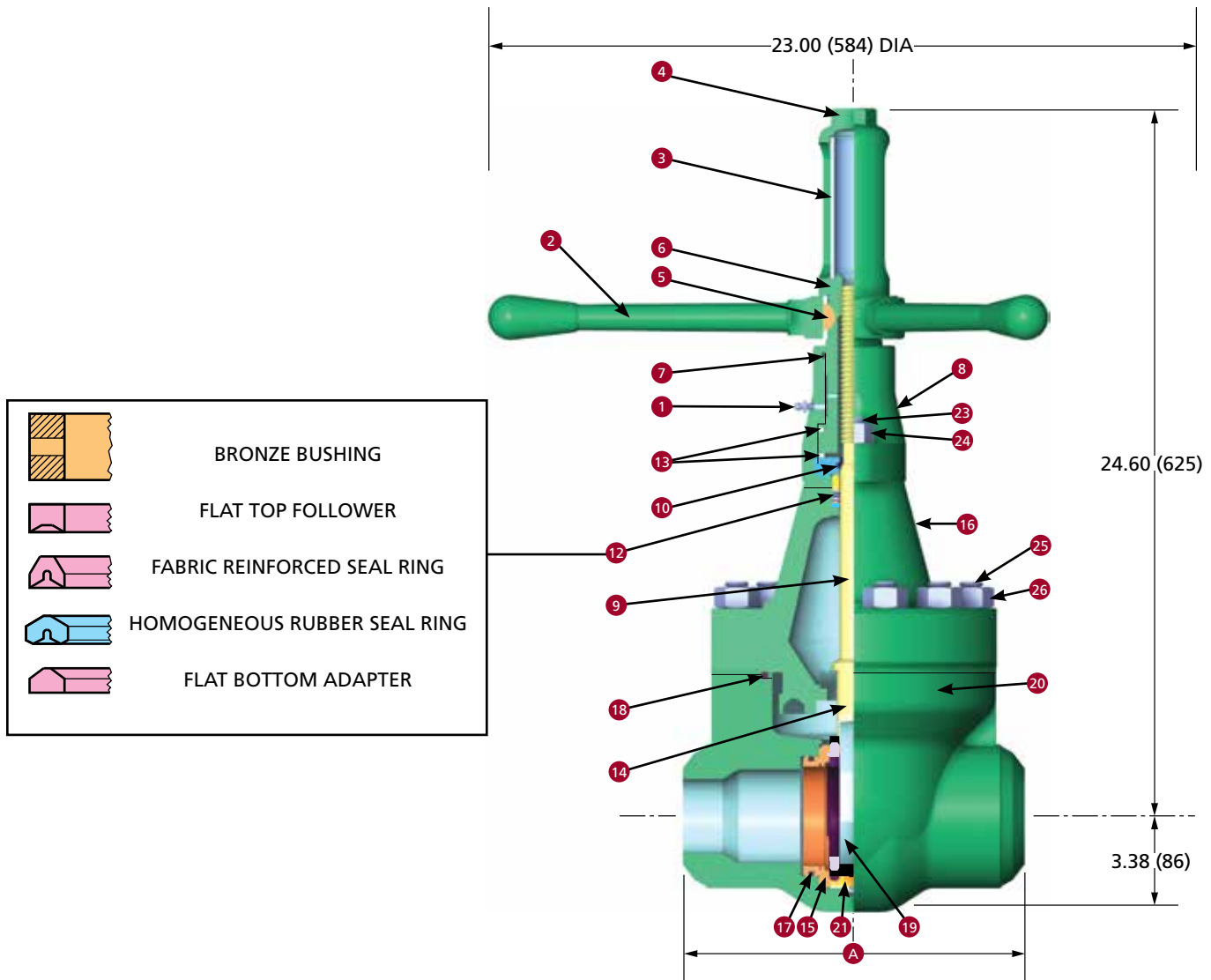
Parts List

Key No.	Qty.	Description	Valve Size: 2" (50 mm) FP			
			Group 1	Group 2	Group 3	
		Assembly Base Number	Weld End: General Service Weld End: NACE Compliant Flanged End, API Length: General Service Flanged End, API Length: NACE Compliant	J024993 J025088 J025130 J025142	J025077 J025103 J025208 TBA	J025078 J025104 J025131 J025143
1	1	Lube Fitting	Steel	005929-18		
2	1	Handle	Ductile Iron ASTM A536 Grade 65-45-12	2139712-01		
4	1	Lock Handle	AISI C-1213	J001891		
6	1	Stem Screw	AISI C-1213	J001913		
7	1	Housing Seal	Buna-N	J005526-224		
8	1	Screw Housing	ASTM A350 Grade LF2 Class 1	J024982		
9	1	Stem	410 SS	J024983-107		
10	1	Secondary Seal	HNBR	2712425-13		
			FKM	J005531-210		
11	1	Packing Retainer	AISI C-1213 17-4 PH SS	J001940	- J021432	
12	1	Stem Seal Assembly (With Bronze Bushing – ASTM B505 Alloy 93200)	HNBR FKM	J023231-008 J023231-006		
13	1	Gate Clip	AISI 302 SS	M450480		
14	2	Body Wear Ring	For Steel Gate, AISI 4140 w/QPQ Nitride Coating For SS Gate, AISI 410 Stainless Steel	M452267 2139647-02		
15	2	Wear Ring Seal	HNBR FKM	2712425-03 J005521-229		
16	1	Bonnet	ASTM A487 Grade 4 Class D	J024985-030	2140341-01	
18	1	Bonnet Seal	HNBR FKM	2712425-60 J005521-342		
19	1	Gate	Steel AISI 4140 w/QPQ Nitride Coating 410 SS	2171111-01 2139624-02		
20	1	Body Materials	ASTM A487 Grade 4 Class D	Consult Cameron for Body Part Numbers		
21	1	Seat	410 SS/HNBR Materials 410 SS/FKM Materials	2139742-01 Rings: AISI 410 SS; Elastomer: HNBR 2139741-02 Rings: AISI 410 SS; Elastomer: FKM		
22	1	Cotter Pin	Steel	J005420-18728		
23	2	Housing Stud	Materials	J002066	J021436	
24	2	Housing Stud Nut	Materials	ASTM A193 Grade B7 2709000-08-01	ASTM A193 Grade L7 J053252-034	
25	4	Body Stud	Materials	ASTM A194 Grade 2H J015432	ASTM A194 Grade 7 J021442	
26	4	Body Stud Nut	Materials	ASTM A193 Grade B7 2709000-10-01	ASTM A193 Grade L7 J053252-038	
			Materials	ASTM A194 Grade 2H	ASTM A194 Grade 7	

- Major repair kit J025177-10274 – One each for one year of service.
 - Minor repair kit J025177-00274.
- Major and minor repair kits listed for trim option JOXXXX-XX72140 (410 SS Stem, Steel/QPQ Gate, HNBR Seat/Seals)
Consult Cameron for optional repair kit trim options

SERIES DM 7500 GATE VALVES – 7500 PSI WP

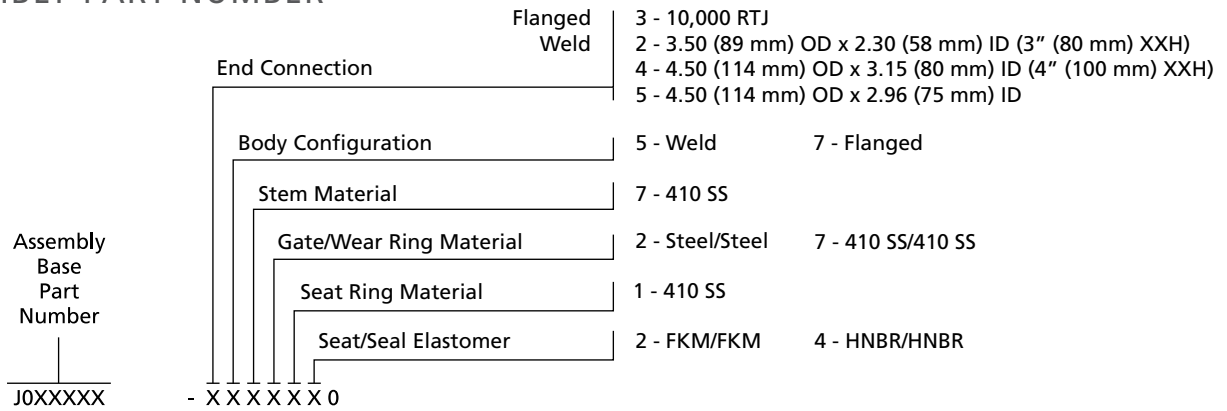
3" (80 mm) Full Port



Dimensional Data and Weights

Dimension		Valve Size: 3" (80 mm) FP 7500 WP
A	Weld End	13.00 (330)
	Flanged End, API Length	24.38 (619)
Valve Seat ID		3.00 (80)
For Flanged Ends		
	API Ring Number	BX-154
	Flange ID	3.06 (78)
	Flange OD	10.62 (270)
	Flange Bolts (Qty., Size: in.)	8 – 1
Number of Handle Turns from Open to Closed		16.01
Weight lb (kg)		
	Weld End	256 (116)
	Flanged End	372 (169)

ASSEMBLY PART NUMBER



- Group 1** Basic valve. Hydrostatic shell test: 11,250 psi for three minutes. Hydrostatic seat test: 7500 psi for three minutes, each side. Material traceability on body and bonnet.
- Group 2** Same as Group 1, except: Hydrostatic shell test: 11,250 psi for three minutes, drop to 0 psi, then 11,250 psi for 15 minutes. Test is charted. Hydrostatic seat test: 7500 psi for three minutes, drop to 0 psi, 7500 for 15 minutes, drop to 0 psi, then 300 psi for five minutes, each side. Test is charted. Material traceability on body, bonnet, stem and bolting. Impact tests at or below -50° F (-46° C) on body, bonnet, stem, and bolting. Surface NDE on body, bonnet and stem.
- Group 3** Same as Group 2, plus volumetric NDE on body and bonnet.

Parts List

Key No.	Qty.	Description	Valve Size: 3" (80 mm) FP			
			Group 1	Group 2	Group 3	
		Base Assembly Number	General Service NACE Compliant	J025051 J025089	J025079 J025105 005929-18	J025080 J025106
1	1	Lube Fitting	Steel		2139481-01	
2	1	Handle	Ductile Iron ASTM A536 Grade 65-45-12		J007459	
3	1	Stem Tube	Clear Acrylic		J007411	
4	1	Stem Cap	Ductile Iron ASTM A536 Grade 65-45-12		J005305-10016	
5	1	Key	Steel		J007416	
■	6	Stem Screw	AISI C-1213		J005526-226	
■	7	Housing Seal	Buna-N		J021448-040	
8	1	Housing	ASTM A350 Grade LF2 Class 1	J007418		ASTM A352 Grade LCC
■	9	Stem	410 SS	AISI C-1029 Normalized	J024951-107	
■	10	Secondary Seal	HNBR		2712425-01	
			FKM		J005531-214	
11	1	Packing Retainer	Materials	J007413		J021434
■	12	Stem Seal Assembly (With Bronze Bushing – SAE 660)	HNBR FKM	AISI C-1213	J001951-008 J001951-006	17-4 PH SS
■	13	Bearing	Teflon®/Phenolic		J007426	
●	14	Gate Clip	AISI 302 SS		M450505	
●	15	Body Wear Ring	For Steel Gate Material For SS Gate Material		M452571 AISI 4140 w/QPQ Nitride Coating 2139648-02 AISI 410 Stainless Steel	
16	1	Bonnet	ASTM A487 Grade 4 Class D	J017289-029		2140370-01 2140370-01
●	17	Wear Ring Seal	HNBR		2712783-03	2140370-02
■	18	Bonnet Seal	FKM		J005521-340	
■	19	Gate	HNBR		2712787-07	
■	19	Gate	FKM		J005521-361	
			AISI 4140 w/QPQ Nitride Coating		2171112-01	
			410 SS		2139628-02	
20	1	Body Materials	ASTM A487 Grade 4 Class D			Consult Cameron for Body Part Numbers
■	21	Seat	410 SS/HNBR		2139744-01	
			Materials			Rings: AISI 410 SS; Elastomer: HNBR
			410 SS/FKM		2139743-02	
			Materials			Rings: AISI 410 SS; Elastomer: FKM
23	2	Housing Stud	Materials	J002072		J021441
24	2	Housing Stud Nut	Materials	ASTM A193 Grade B7 2709000-09-01		ASTM A193 Grade L7 J053252-036
25	12	Body Stud	Materials	ASTM A194 Grade 2H J015432		ASTM A194 Grade 7 J021442
26	12	Body Stud Nut	Materials	ASTM A193 Grade B7 2709000-10-01		ASTM A193 Grade L7 J053252-038
			Materials	ASTM A194 Grade 2H		ASTM A194 Grade 7

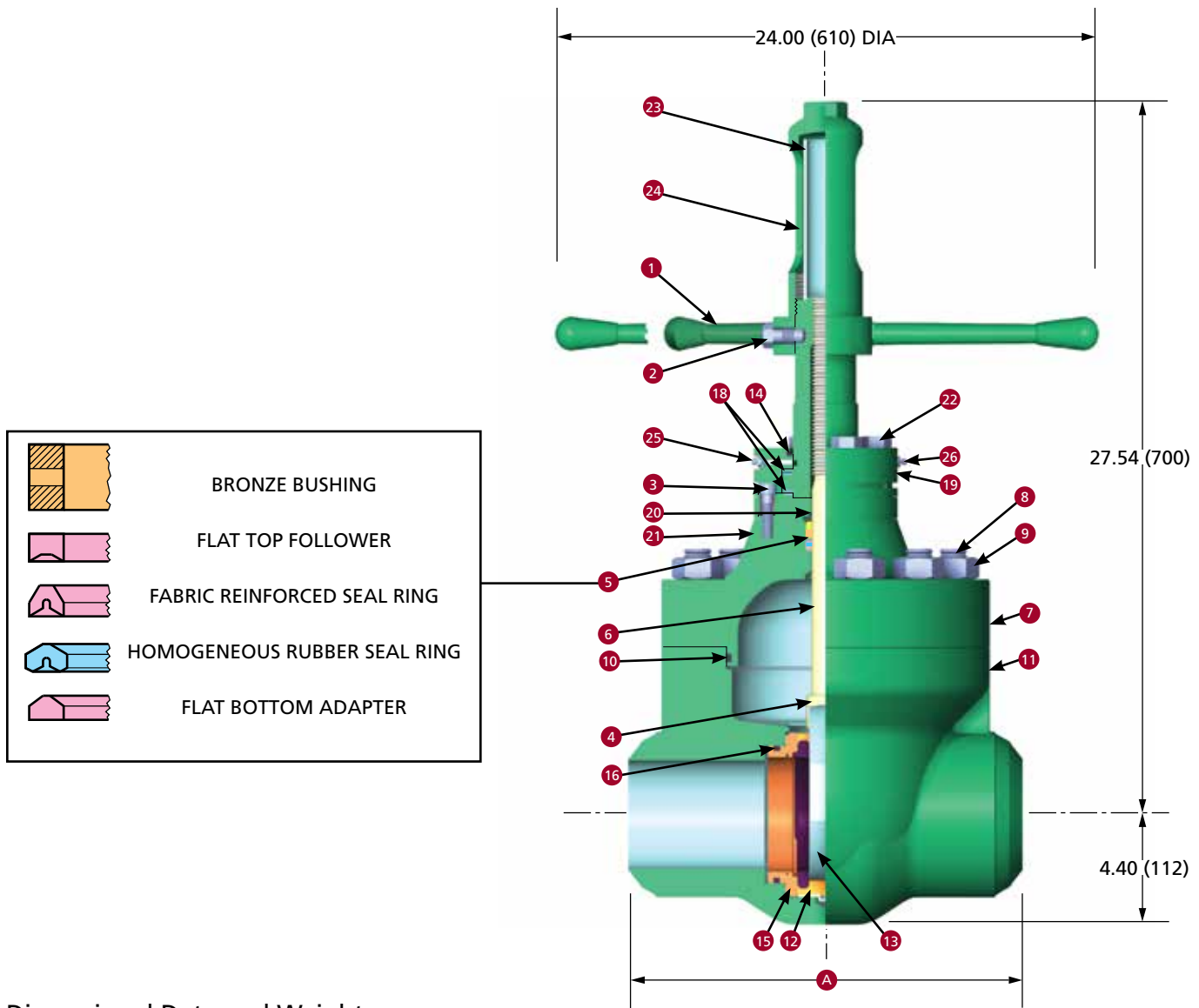
■ Major repair kit J025177-10374 – One each for one year of service.

● Minor repair kit J025177-00374.

Major and minor repair kits listed for trim option J0XXXXX-XX72140 (410 SS Stem, Steel/QPQ Gate, HNBR Seat/Seals)
Consult Cameron for optional repair kit trim options

SERIES DM 7500 GATE VALVES – 7500 PSI WP

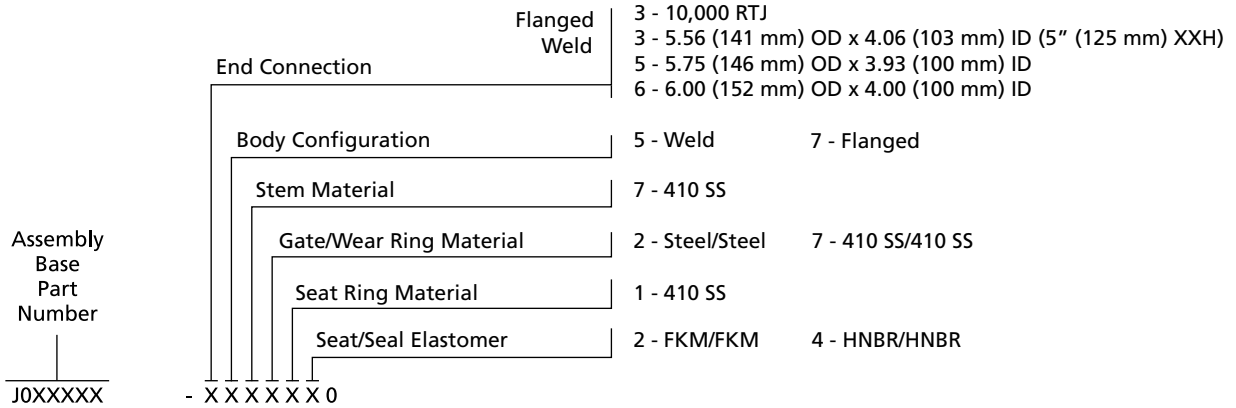
4" (100 mm) Full Port



Dimensional Data and Weights

Dimension		Valve Size: 4" (100 mm) FP 7500 WP
A	Weld End	16.00 (406)
	Flanged End	26.38 (670)
Valve Seat ID		4.00 (100)
For Flanged Ends		
API Ring Number		BX-155
Flange ID		4.06 (103)
Flange OD		12.44 (316)
Flange Bolts (Qty., Size: in.)		8 – 1-1/8
Number of Handle Turns from Open to Closed		21.36
Weight lb (kg)		
Weld End		310 (141)
Flanged End		475 (215)

ASSEMBLY PART NUMBER



- Group 1** Basic valve. Hydrostatic shell test: 11,250 psi for three minutes. Hydrostatic seat test: 7500 psi for three minutes, each side. Material traceability on body and bonnet.
- Group 2** Same as Group 1, except: Hydrostatic shell test: 11,250 psi for three minutes, drop to 0 psi, then 11,250 psi for 15 minutes. Test is charted. Hydrostatic seat test: 7500 psi for three minutes, drop to 0 psi, 7500 for 15 minutes, drop to 0 psi, then 300 psi for five minutes, each side. Test is charted. Material traceability on body, bonnet, stem and bolting. Impact tests at or below -50° F (-46° C) on body, bonnet, stem and bolting. Surface NDE on body, bonnet and stem.
- Group 3** Same as Group 2, plus volumetric NDE on body and bonnet.

Parts List

Key No.	Qty.	Description	Valve Size: 4" (100 mm) FP		
			Group 1	Group 2	Group 3
		Base Assembly Number	General Service J025100	J025101	J025081
			NACE Compliant J025102	J025107	J025081
				2227565-01	J025108
1	1	Handwheel			
2	1	Handwheel Screw			
3	4	Retainer Screw		J014832	
			J005665-32028		J005666-32028
			Alloy Steel		18-8 SS
		Materials			
4	1	Gate Clip		M450505	
5	1	Stem Seal Assembly (With Bronze Bushing – ASTM B271 Alloy C95500)		J015853-008	
				J015853-006	
6	1	Stem		2140684-01	
7	1	Bonnet	ASTM A487 Grade 4 Class D		
8	10	Body Stud			
			2172523-01	2172523-02	2172523-03
			2171976-11-01		2171978-11-01
		Materials	ASTM A193 Grade B7		ASTM A193 Grade L7
			2709000-11-01		J053252-140
			ASTM A194 Grade 2H		ASTM A194 Grade 7
10	1	Bonnet Seal		2712426-11	
				J005521-364	
11	1	Body Materials			
					Consult Cameron for Body Part Numbers
12	1	Seat		2139746-01	
					Rings: AISI 410 Stainless Steel; Elastomers: HNBR
				2139745-02	
					Rings: AISI 410 Stainless Steel; Elastomers: FKM
13	1	Gate – Steel/QPQ	AISI 4140 w/QPQ Nitride Coating		
			410 SS		
				2171267-01	
14	1	Housing Seal		2139637-02	
15	2	Body Wear Ring		J005526-228	
				M452290	
					AISI 4140 w/QPQ Nitride Coating
					2139649-02
					AISI 410 Stainless Steel
16	2	Wear Ring Seal		2712787-04	
				J005521-349	
18	1	Stem Screw with Bearings		J0023888	
					Stem Screw: AISI C-1018
					Bearings: Hardened Steel Needle Thrust Bearings
19	1	Housing	AISI C-1018	J015332	
20	1	Secondary Seal		2726268-01	
				J005531-216	
21	1	Packing Retainer			2172425-02
					AISI 4130
22	4	Housing Screw	Steel SAE Grade 5	702500-14-00-34	
23	1	Stem Tube	Clear Acrylic	J012852	
24	1	Stem Cap	Ductile Iron	J015855	
25	1	Lube Fitting	Steel	005929-18	
26	1	Relief Fitting	Steel	J051971	

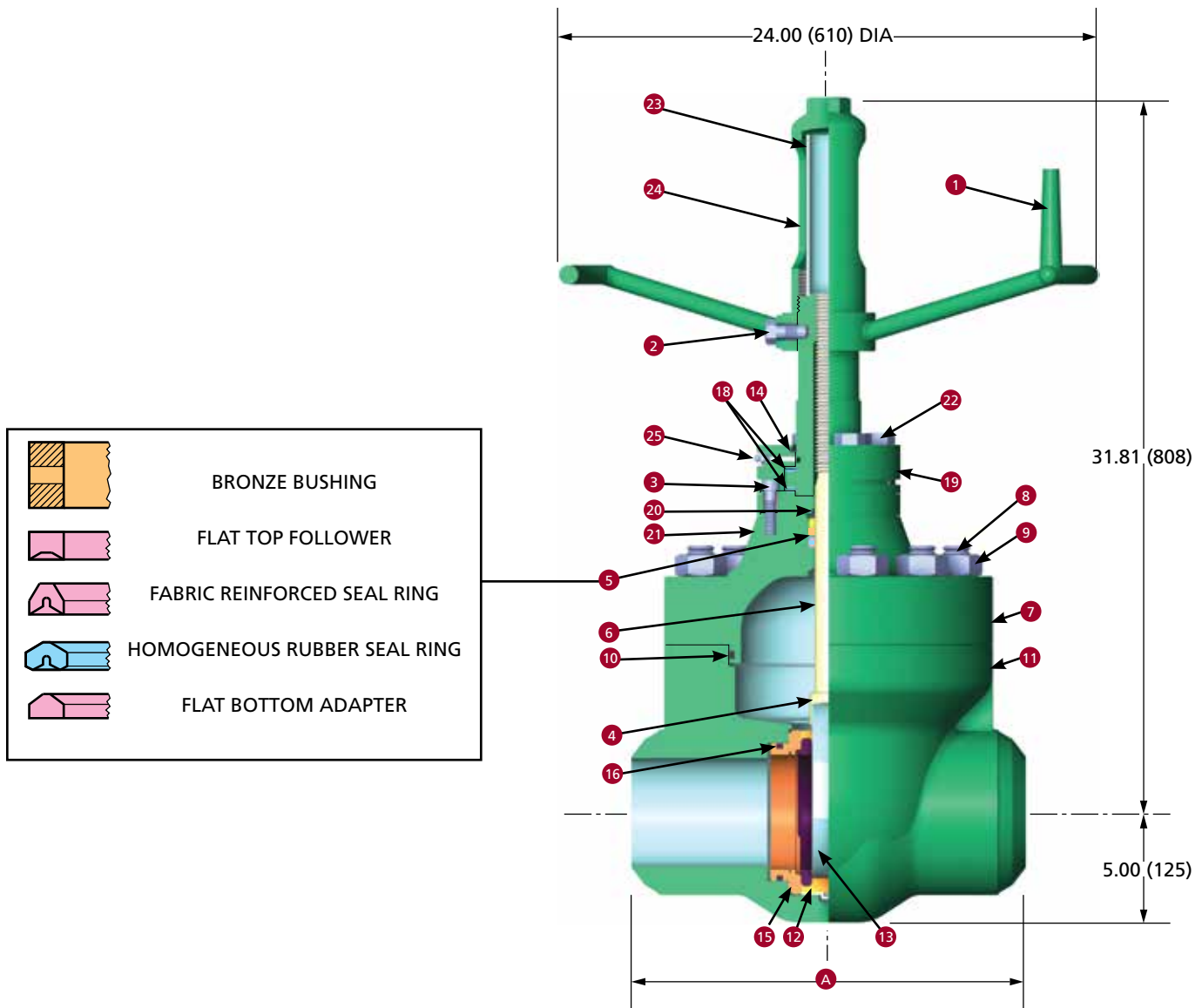
■ Major repair kit J025177-10474 – One each for one year of service.

● Minor repair kit J025177-00474.

Major and minor repair kits listed for trim option J0XXXXX-XX72140 (410 SS Stem, Steel/QPQ Gate, HNBR Seat/Seals)

Consult Cameron for optional repair kit trim options

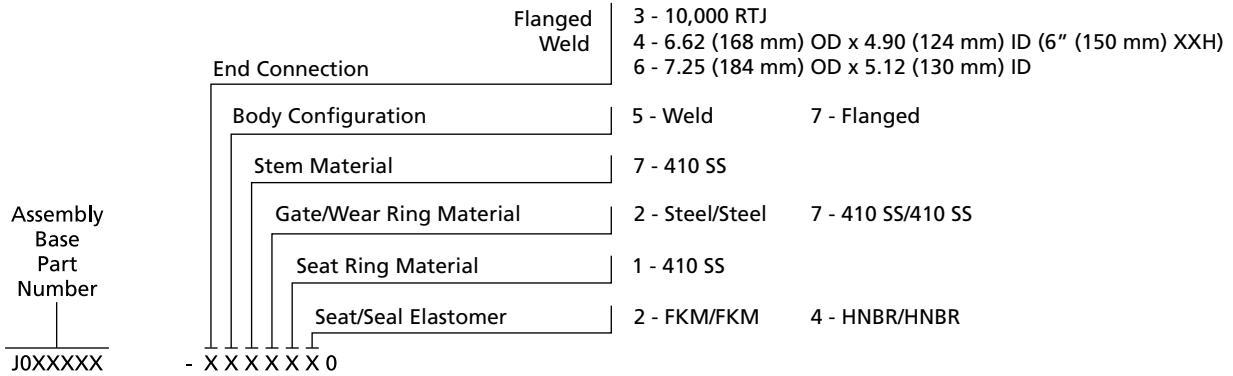
SERIES DM 7500 GATE VALVES – 7500 PSI WP
 5" (125 mm) Full Port



Dimensional Data and Weights

Dimension		Valve Size: 5" (125 mm) FP 7500 WP
A	Weld End	17.88 (454)
	Flanged End	29.00 (737)
Valve Seat ID		5.00 (125)
For Flanged Ends		
API Ring Number		BX-169
Flange ID		5.12 (130)
Flange OD		14.06 (357)
Flange Bolts (Qty., Size: in.)		12 – 1-1/8
Number of Handle Turns from Open to Closed		27.67
Weight lb (kg)		
Weld End		506 (230)
Flanged End		761 (345)

ASSEMBLY PART NUMBER



- Group 1** Basic valve. Hydrostatic shell test: 11,250 psi for three minutes. Hydrostatic seat test: 7500 psi for three minutes, each side. Material traceability on body and bonnet.
- Group 2** Same as Group 1, except: Hydrostatic shell test: 11,250 psi for three minutes, drop to 0 psi, then 11,250 psi for 15 minutes. Test is charted. Hydrostatic seat test: 7500 psi for three minutes, drop to 0 psi, 7500 for 15 minutes, drop to 0 psi, then 300 psi for five minutes, each side. Test is charted. Material traceability on body, bonnet, stem and bolting. Impact tests at or below -50° F (-46° C) on body, bonnet, stem and bolting. Surface NDE on body, bonnet and stem.
- Group 3** Same as Group 2, plus volumetric NDE on body and bonnet.

Parts List

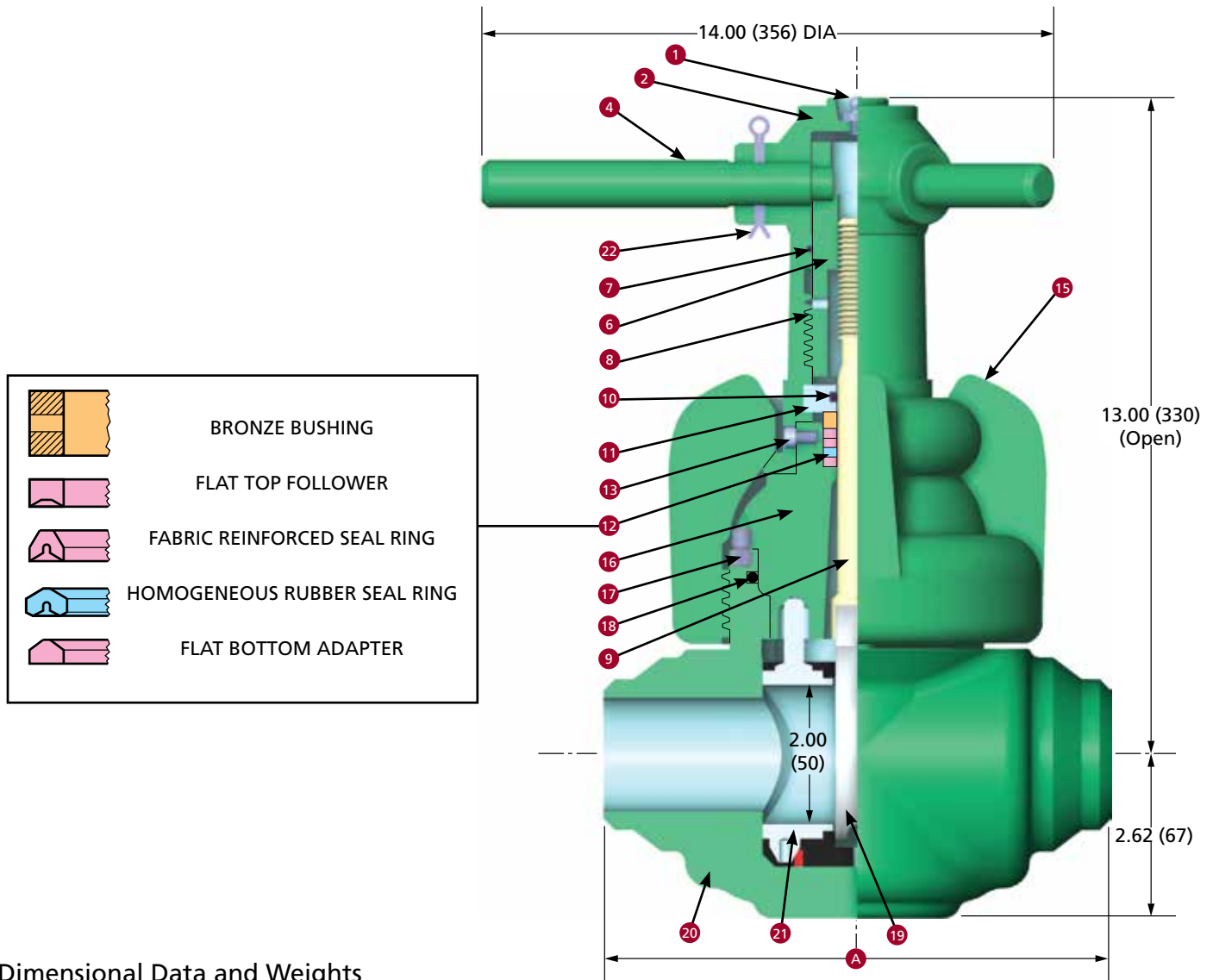
Key No.	Qty.	Description	Valve Size: 5" (125 mm) FP		
			Group 1	Group 2	Group 3
		Assembly Base Number	General Service J024994	J025083	J025084
			NACE Compliant J025090	J025109	J025110
1	1	Handwheel	Ductile Iron ASTM A536 Grade 65-45-12	J016986	
2	1	Handwheel Screw	AISI C-1018	J016987	
3	4	Retainer Screw		J005665-32028 Alloy Steel	J005666-32028 18-8 SS
4	1	Gate Clip	Materials AISI 302 SS	M451649	
5	1	Stem Seal Assembly (With Bronze Bushing – ASTM B271 Alloy C95500)	HNBR FKM	J016995-008 J016995-006	
6	1	Stem	410 SS	J024943-107	
7	1	Bonnet	ASTM A487 Grade 4 Class D	J024956-051	J024956-052
8	12	Body Stud		J024956-030	
			Materials ASTM A193 Grade B7	2171976-12-01	2171978-12-02
9	12	Body Stud Nut	Materials ASTM A194 Grade 2H	2709000-12-01	ASTM A193 Grade L7 J053252-142
10	1	Bonnet Seal	Materials HNBR FKM	ASTM A194 Grade 2H	ASTM A194 Grade 7
				2712425-78	
11	1	Body Materials	ASTM A487 Grade 4 Class D	J005521-446	
12	1	Seat	410 SS/HNBR Materials 410 SS/FKM	Consult Cameron for Body Part Numbers	2139748-01
			Materials AISI 4140 w/QPQ Nitride Coating 410 SS		Rings: AISI 410 Stainless Steel; Elastomers: HNBR 2269500-01
13	1	Gate – Steel/QPQ	AISI 4140 w/QPQ Nitride Coating 410 SS		Rings: AISI 410 Stainless Steel; Elastomers: FKM
			Materials Urethane	2171108-01	
14	1	Housing Seal		2139629-02	
15	2	Body Wear Ring	For Steel Gate Materials For Stainless Steel Gate Materials	2726191-02-95	
				M452619	
16	2	Wear Ring Seal	HNBR FKM	AISI 4140 w/QPQ Nitride Coating 2139650-02	
				AISI 410 Stainless Steel	
18	1	Stem Screw with Bearings	Materials	2726268-02	
				J005521-435	
19	1	Housing	AISI C-1018	J023848	
20	1	Secondary Seal	HNBR FKM	Stem Screw: AISI C-1018	
				Bearings: Hardened Steel Needle Thrust Bearings	
21	1	Packing Retainer	Materials	J018190	
				2712425-12	
22	4	Housing Screw	Steel SAE Grade 5	J005531-218	
23	1	Stem Tube	Clear Acrylic		
24	1	Stem Cap	Ductile Iron	J018191	2171930-01
25	1	Lube Fitting	Steel	AISI C-1018	AISI 4130
				702500-16-00-40	
				J018192	
				J018193	
				005929-18	

■ Major repair kit J025177-10574 – One each for one year of service.

● Minor repair kit J025177-00574.

Major and minor repair kits listed for trim option J0XXXXX-XX72140 (410 SS Stem, Steel/QPQ Gate, HNBR Seat/Seals)
Consult Cameron for optional repair kit trim options

SERIES DM GATE VALVES – 2000, 3000, AND 5000 PSI WP
 2" (50 mm) Full Port and 2-1/2" (65 mm) Reduced Port

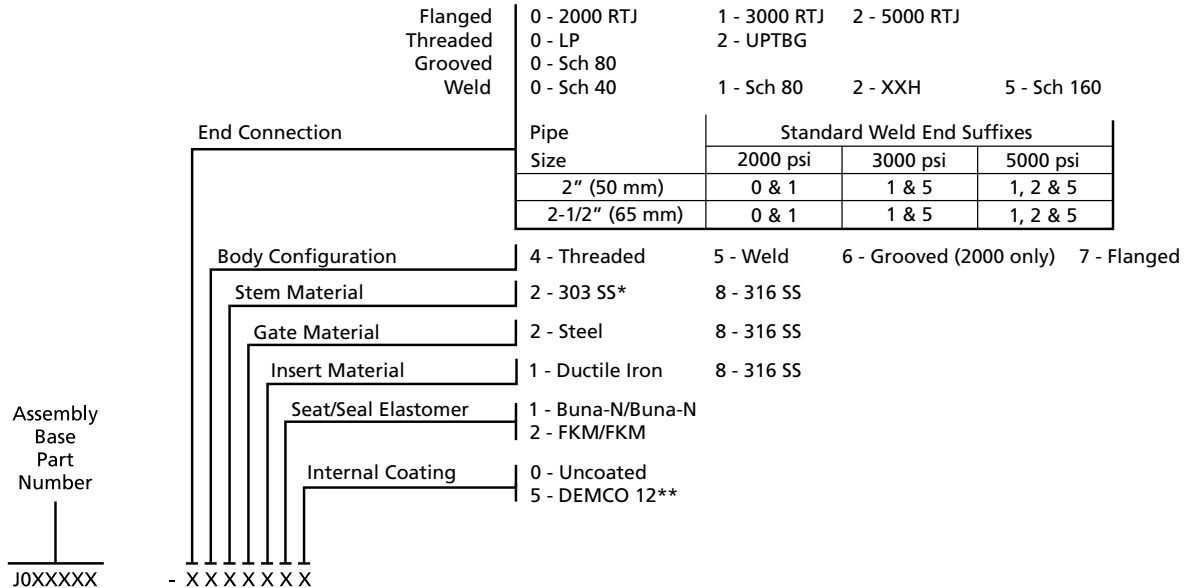


Dimensional Data and Weights

Dimension		Valve Size: 2" (50 mm) FP and 2-1/2" x 2" (65 mm x 50 mm) RP*					
		2000 WP		3000 WP		5000 WP	
A	Threaded, Weld and Grooved	9.00 (229)	9.00 (229)	9.00 (229)	9.00 (229)	9.00 (229)	9.00 (229)
	Flanged – RTJ	11.62 (295)	-	11.62 (295)	-	12.12 (308)	-
	Flange OD	6.50 (165)	-	8.50 (216)	-	8.50 (216)	-
	Flange Bolts (Qty., Size: in.)	8 – 5/8	-	8 – 7/8	-	8 – 7/8	-
	Ring Number (RTJ)	R-23	-	R-24	-	R-24	-
Weight lb (kg)							
	Threaded, Weld and Grooved	56 (25)	56 (25)	58 (26)	58 (26)	58 (26)	58 (26)
	Flanged	70 (32)	-	100 (45)	-	110 (50)	-

* 2-1/2" x 2" (65 mm x 50 mm) RP only available in weld end.

ASSEMBLY PART NUMBER



Consult Cameron For Additional Trim Options.

* Available on General Service valves

**Internal coating only, weld end bodies are not available with internal or external coatings

Parts List

Key No.	Qty.	Description	Valve Size: 2" (50 mm) FP and 2-1/2" (65 mm) RP		
			2000 WP General/(NACE)	3000 WP General/(NACE)	5000 WP General/(NACE)
		Assembly Base Part Number	J001026/(TBA)	J001027/(J025092)	J001028/(J024929)
		2" (50 mm) Full Port – Threaded – Weld	J001029/(TBA)	J001030/(J025092)	J001031/(J024929)
		– Grooved	J011920/(TBA)	-	-
		– Flanged	J001023/(TBA)	J001024/(J025092)	J001025/(J024929)
		2-1/2" (65 mm) Reduced Port – Weld	J001115/(TBA)	J001114/(TBA)	J001109/(J025205)
1	1	Lube Fitting	005929-18	005929-18	005929-18
2	1	Handle	ASTM A536 Ductile Iron	2139712-01	2139712-01
4	1	Lock Handle	C-1213	J001891	J001891
6	1	Stem Screw	C-1213	J001913	J001913
7	1	Stem Screw Seal	Buna-N	J005526-224	J005526-224
8	1	Screw Housing	C-1018	J001848	J001848
9	1	Stem	303 SS -002, 316 SS -008	J001931-XXX	J001931-XXX
10	1	Secondary Seal	Buna-N	J005526-210	J005526-210
11	1	Retainer	C-1213	J001940	J001940
12	1	Stem Seal Assembly	Buna-N -001, FKM -006	J001949-XXX	J001949-XXX
13	1	Lock Screw	Steel	J005665-22004	J005665-22004
15	1	Coupling	A216 Steel -020, A487 Steel -030	J001445-030	J001445-030
16	1	Bonnet	ASTM A105	J001237-XXX	J001237-XXX
		Coatings		Uncoated-020, DEMCO 12-025	
17	1	Index Pin	Steel	J001981	J001981
18	1	Bonnet Seal	Buna-N	J005526-342	J005526-342
			FKM	J005531-342	J005531-342
19	1	Gate	Materials	J001887-XXX	J001887-XXX
				AISI 1045 Nickel Plated -002, Cast SS ASTM A351 Grade CF8M – 108	
20	1	Body Materials	Threaded, Weld and Grooved – ASTM A105 Normalized		
			2000 Flanged – Fabricated from Weld Body and Commercial Flanges		
			3000 Flanged – ASTM A216 Grade WCB		
			5000 Flanged – ASTM A487 Grade 4A or 2B		
			Coatings (Except Weld End Bodies):		
			DEMCO 12		
21	1	Seat Assembly	Materials	J001876-0XX	J001876-0XX
				Inserts: -01X Ductile Iron ASTM A395 or Steel AISI C1040	
				-08X 316 SS ASTM A351 Grade CF8M Annealed	
				Elastomers: -0X1 Buna-N, -0X2 FKM	
22	1	Pin, Lock Handle	Steel	J005420-18728	J005420-18728

■ Major repair kit J025216-11221 – One each for one year of service.

● Minor repair kit J025216-01221.

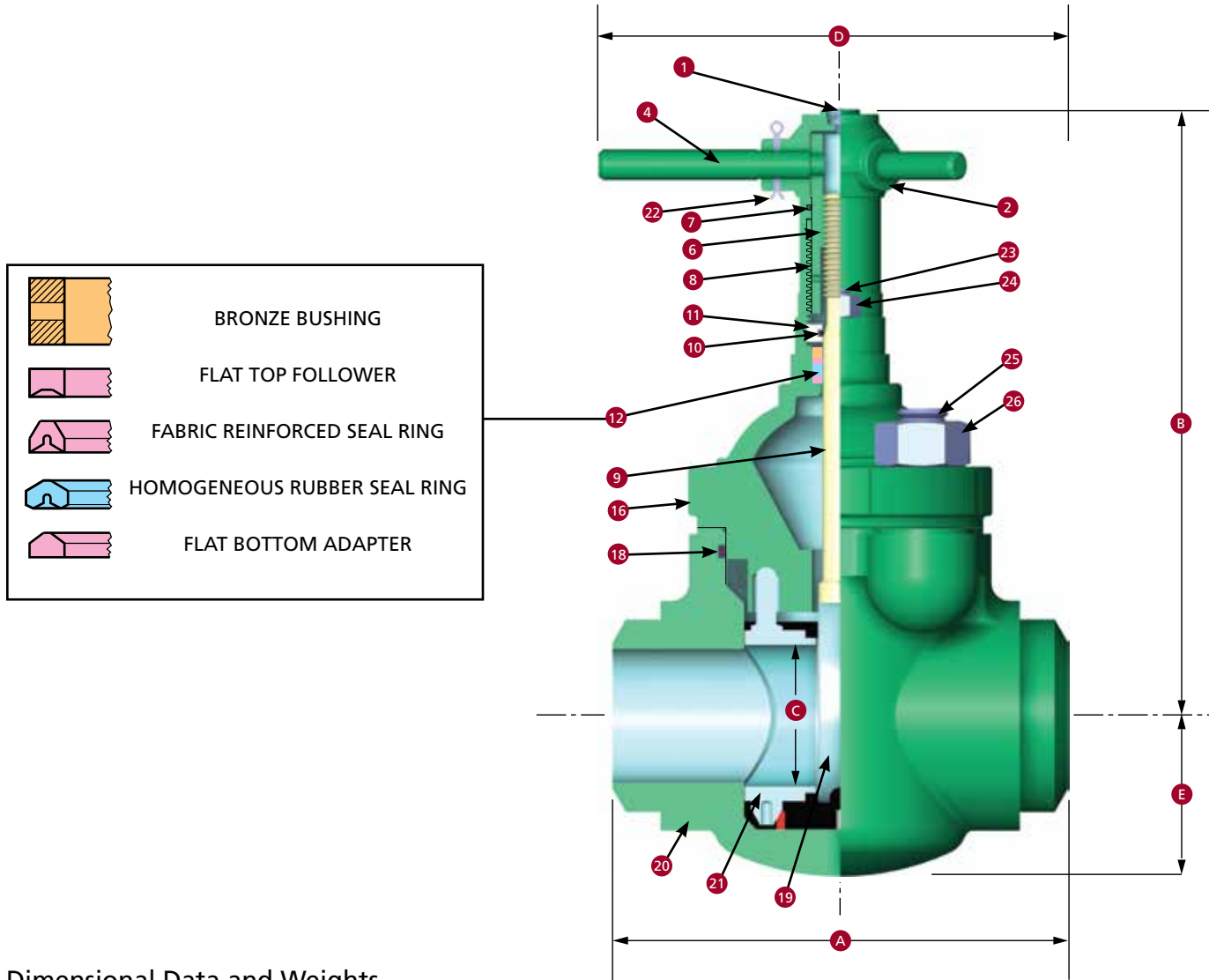
Major and minor repair kits listed for trim option J0XXXXX-XX72140 (410 SS Stem, Steel/QPQ Gate, HNBR Seat/Seals)

Consult Cameron for optional repair kit trim options

SERIES DM GATE VALVES – 2000, 3000, AND 5000 PSI WP

2-1/2" (65 mm) and 3" (80 mm) Full Port

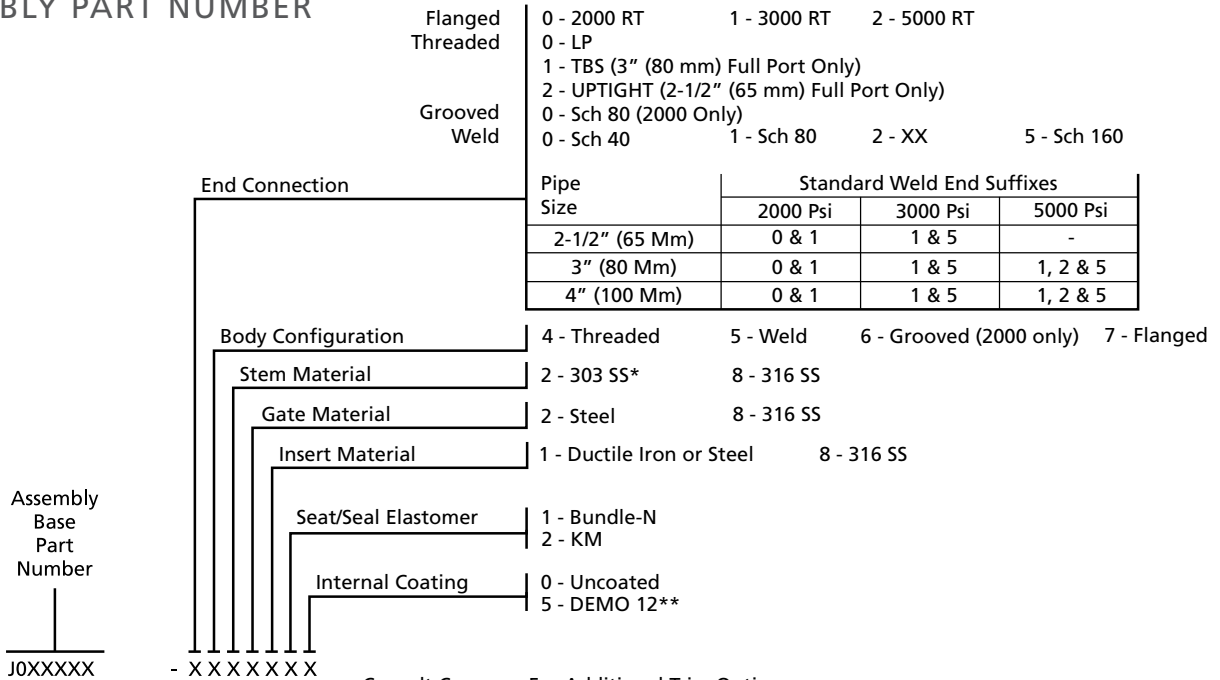
4" (100 mm) Reduced Port



Dimensional Data and Weights

Dimension		Valve Size						
		2000 WP		3000 WP		5000 WP		
		FP 2-1/2" (65 mm)	FP 3" (80 mm)	FP 2-1/2" (65 mm)	FP 3" (80 mm)	RP 4" x 3" (100 x 80 mm)	FP 3" (80 mm)	RP 4" x 3" (100 x 80 mm)
A	Threaded, Weld and Grooved	9.75 (248)	11.00 (279)	9.75 (248)	11.00 (279)	11.00 (279)	11.00 (279)	11.00 (279)
	Flanged – RTJ	16.62 (422)	14.12 (359)	16.62 (422)	14.12 (359)	-	15.62 (397)	-
B	(Open)	17.00 (432)	18.00 (457)	17.00 (432)	18.00 (457)	18.00 (457)	18.00 (457)	18.00 (457)
C	(Seat Bore)	2.50 (65)	3.00 (80)	2.50 (65)	3.00 (80)	3.00 (80)	3.00 (80)	3.00 (80)
D		19.00 (483)	19.00 (483)	19.00 (483)	19.00 (483)	19.00 (483)	19.00 (483)	19.00 (483)
E	Threaded, Weld and Grooved	3.12 (79)	3.50 (89)	3.25 (83)	3.69 (94)	3.69 (94)	3.94 (100)	3.94 (100)
	Flanged – RTJ	3.19 (81)	3.50 (89)	3.19 (81)	3.69 (94)	-	3.94 (100)	-
	Flange OD	7.50 (191)	8.25 (210)	9.62 (244)	9.50 (241)	-	10.50 (267)	-
	Flange Bolts (Qty., Size: in.)	8-3/4	8-3/4	8-1	8-7/8	-	8 – 1-1/8	-
	Ring Number (RTJ)	R-26	R-31	R-27	R-31	-	R-35	-
Weight lb (kg)								
	Threaded, Weld and Grooved	74 (34)	95 (43)	87 (39)	113 (51)	113 (51)	140 (64)	140 (64)
	Flanged	141 (64)	131 (59)	170 (77)	175 (79)	-	241 (109)	-

ASSEMBLY PART NUMBER



Consult Cameron For Additional Trim Options.

* Available on General Service valves

**Internal coating only, weld end bodies are not available with internal or external coatings

Parts List

Key No.	Qty.	Description	Valve Size: 2-1/2" (65 mm) FP			Valve Size: 3" (80 mm) FP and 4" (100 mm) RP			
			2000 WP General/(NACE)	3000 WP General/(NACE)	5000 WP General/(NACE)	2000 WP General/(NACE)	3000 WP General/(NACE)	5000 WP General/(NACE)	
		Assembly Base Part Number	2-1/2" (65 mm) and 3" (80 mm) Full Port - Threaded			2-1/2" (65 mm) and 3" (80 mm) Full Port - Threaded			
			- Weld			- Weld			
			- Grooved			- Grooved			
			- Flanged			- Flanged			
			4" (100 mm) Reduced Port - Weld			4" (100 mm) Reduced Port - Weld			
1	1	Lube Fitting	Steel	005929-18	005929-18	005929-18	005929-18	005929-18	005929-18
2	1	Hub Assembly	ASTM A536 Ductile Iron	2139713-01	2139713-01	2139713-01	2139713-01	2139713-01	2139713-01
4	1	Lock Handle	AISI C1213	J001892	J001892	J001892	J001892	J001892	J001892
6	1	Stem Screw	AISI C1213	J001914-002	J001914-002	J001914-002	J001914-003	J001914-003	J001914-003
7	1	Stem Screw Seal	Buna-N	J005526-226	J005526-226	J005526-226	J005526-226	J005526-226	J005526-226
8	1	Screw Housing	Carbon Steel	J001852	J001852	J001852	J001852	J001852	J001852
9	1	Stem	303 SS -002, 316 SS -008	J001932-XXX	J001932-XXX	J001932-XXX	J001932-XXX	J001932-XXX	J001932-XXX
10	1	Secondary Seal	Buna-N	J005526-212	J005526-212	J005526-212	J005526-212	J005526-212	J005526-212
11	1	Retainer	AISI C1213	J001941	J001941	J001941	J001941	J001941	J001941
12	1	Stem Seal Assembly	Buna-N -001, FKM -006	J001950-XXX	J001950-XXX	J001950-XXX	J001950-XXX	J001950-XXX	J001950-XXX
16	1	Bonnet	Cast Steel ASTM A487 4A or 2B	J001970-XXX	J001974-XXX	J001974-XXX	J001971-XXX	J001976-XXX	J001980-XXX
18	1	Bonnet Seal	Coatings: Uncoated -030, DEMCO 12 -035 Buna-N	J005526-427	J005526-427	J005526-427	J005526-431	J005526-433	J005526-433
19	1	Gate	FKM	J001868-00X	J001868-00X	J001868-00X	J001886-00X	J001886-00X	J001886-00X
20	1	Body Materials	ASTM A487 Grade 4 Class A or Grade 2 Class B	Consult Cameron for Body Part Numbers					
21	1	Seat Assembly	Coatings: DEMCO 12	J001877-0XX	J001877-0XX	J001877-0XX	J001878-0XX	J001878-0XX	J001878-0XX
22	1	Pin, Lock Handle	Steel	J005420-18732	J005420-18732	J005420-18732	J005420-18732	J005420-18732	J005420-18732
23	2	Bonnet Stud	ASTM A193 Grade B7	J002066	J002066	J002066	J002066	J002066	J002066
24	2	Bonnet Stud Nut	ASTM A194 Grade 2H	2709000-08-01	2709000-08-01	2709000-08-01	2709000-08-01	2709000-08-01	2709000-08-01
25	4	Body Stud	ASTM A193 Grade B7	J002072	J002074	J002074	J002072	J002074	J002076
26	4	Body Stud Nut	ASTM A194 Grade 2H	2709000-09-01	2709000-10-01	2709000-10-01	2709000-09-01	2709000-10-01	2709000-13-01

Major repair kit J025216-12221 – One each for one year of service.

Minor repair kit J025216-02221.

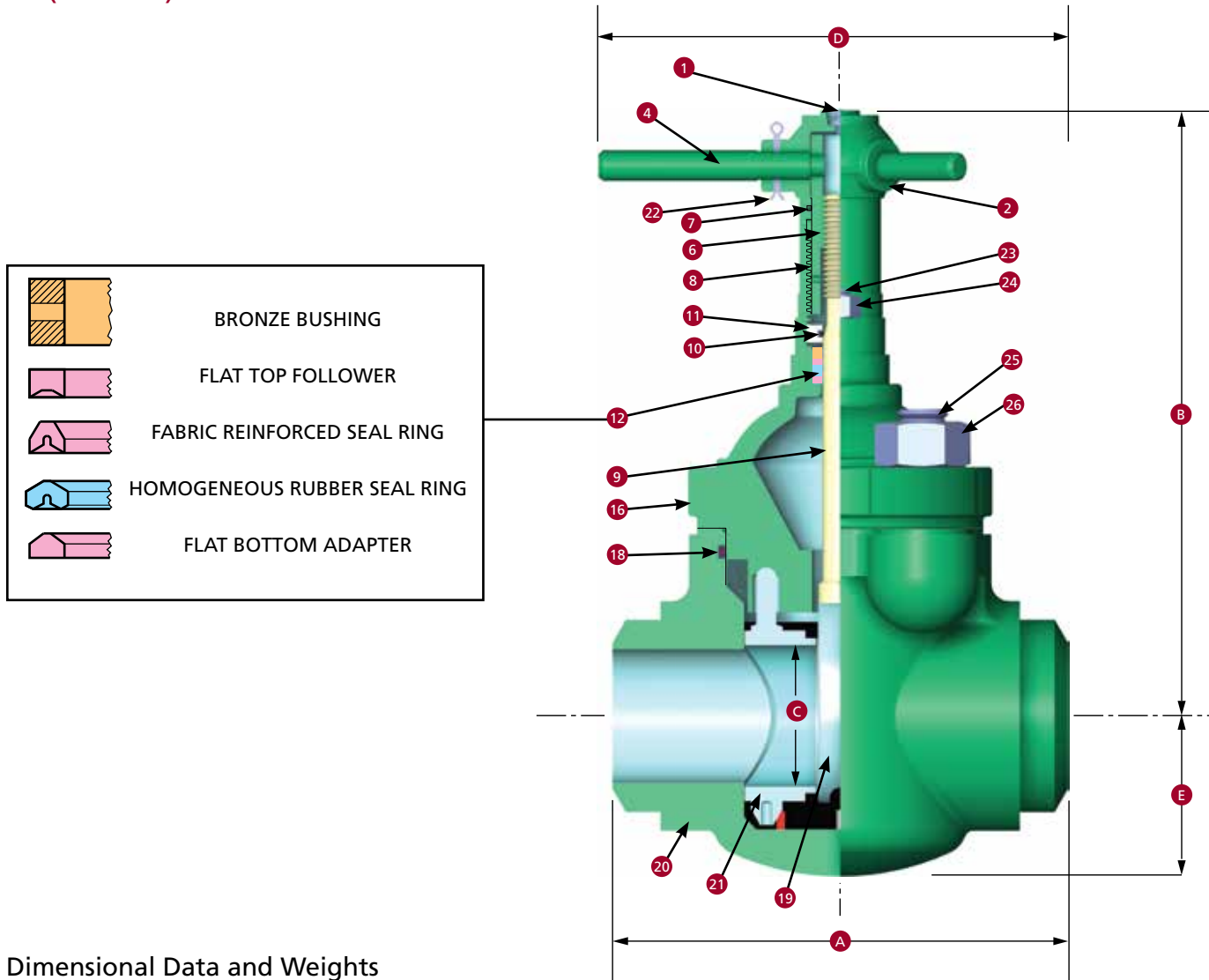
Major and minor repair kits listed for trim option J0XXXXX-XX72140 (410 SS Stem, Steel/QPQ Gate, HNBR Seat/Seals)

Consult Cameron for optional repair kit trim options

SERIES DM GATE VALVES – 2000 AND 3000 PSI WP

4" (100 mm) Full Port

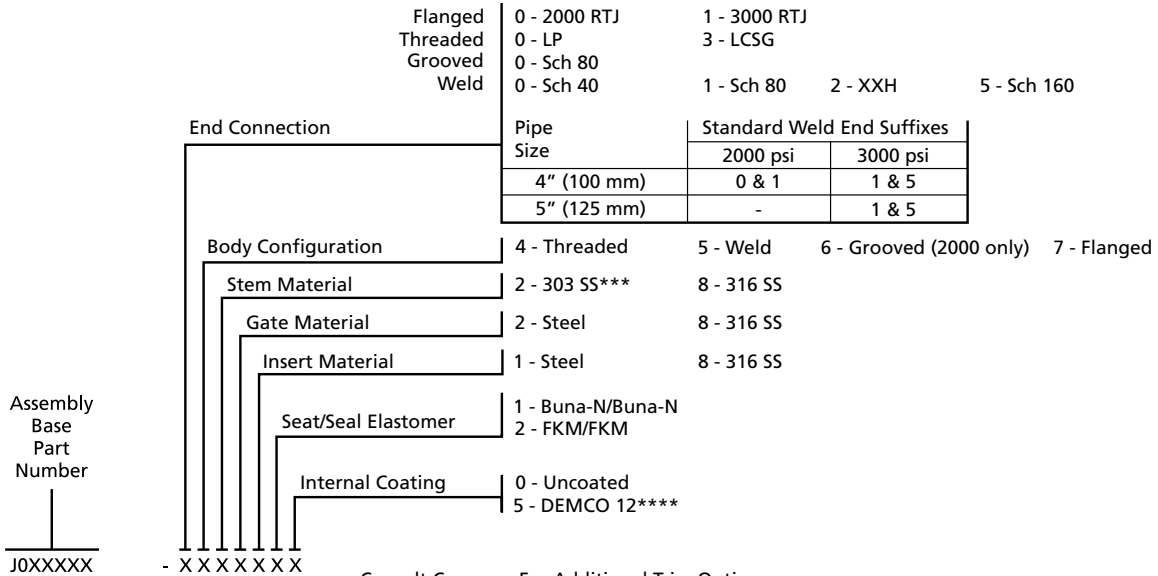
5" (125 mm) Reduced Port



Dimensional Data and Weights

Dimension	Valve Size		
	4" (100 mm) FP 2000 WP	4" (100 mm) FP	5" x 4" (125 mm x 100 mm) RP 3000 WP
A	Threaded, Weld and Grooved 13.00 (330)	13.00 (330)	13.00 (330)
	Flanged – RTJ 16.38 (416)	16.38 (416)	-
B	(Open) 21.25 (540)	21.25 (540)	21.25 (540)
C	(Seat Bore) 4.00 (100)	4.00 (100)	4.00 (100)
D	23.00 (584)	23.00 (584)	23.00 (584)
E	Threaded, Weld and Grooved 4.31 (109)	4.56 (116)	4.56 (116)
	Flanged – RTJ 4.31 (109)	4.56 (116)	-
	Flange OD 10.75 (273)	11.50 (292)	-
	Flange Bolts (Qty., Size: in.) 8 – 7/8	8 – 1-1/8	-
	Ring Number (RTJ) R-37	R-37	-
Weight lb (kg)			
	Threaded, Weld and Grooved 140 (64)	162 (73)	162 (73)
	Flanged 200 (91)	265 (120)	-

ASSEMBLY PART NUMBER



Consult Cameron For Additional Trim Options.
 *** Available on General Service valves
 ****Internal coating only, weld end bodies are not available with internal or external coatings

Parts List

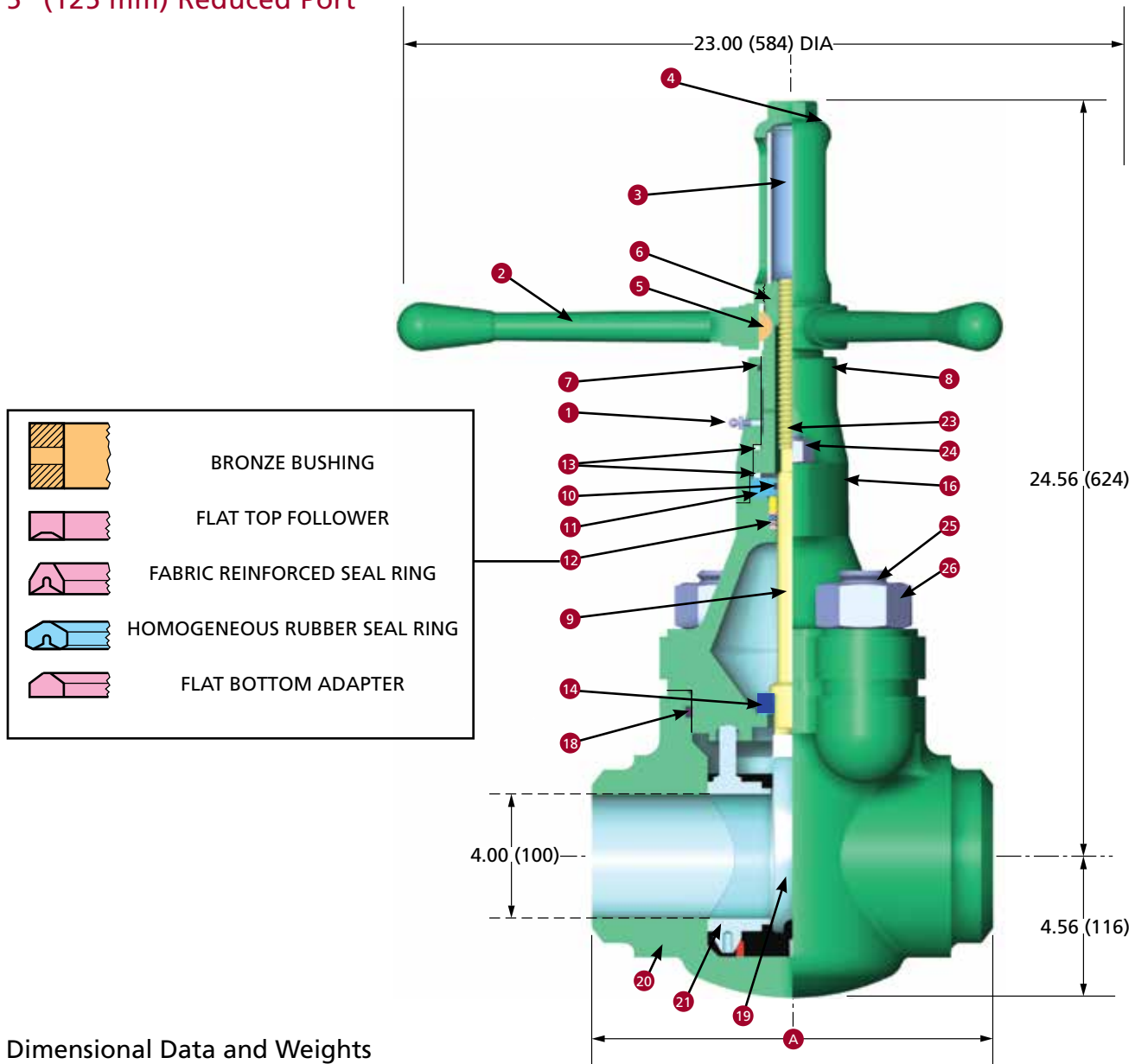
Key No.	Qty.	Description	Valve Size: 4" (100 mm) FP**		
			2000 WP General/(NACE)	3000 WP General/(NACE)	
		Assembly Base Part Number	4" (100 mm) Full Port – Threaded – Weld – Grooved – Flanged	5" (125 mm) Reduced Port – Weld	
			J001048/(TBA) J001057/(TBA) J011923/(TBA) J001039/(TBA)	J001049/(TBA) J001058/(TBA) - J001040/(TBA) J001111/(TBA)	
1	1	Lube Fitting	Steel	005929-18	005929-18
2	1	Hub Assembly	ASTM A536 Ductile Iron	2139714-01	2139714-01
4	1	Lock Handle	C-1213	J001897	J001897
6	1	Stem Screw	C-1213	J001915	J001915
7	1	Stem Screw Seal	Buna-N	J005526-227	J005526-227
8	1	Screw Housing	Carbon Steel	J001958	J001958
9	1	Stem	303 SS -002, 316 SS -008	J001933-XXX	J001933-XXX
10	1	Secondary Seal	Buna-N	J005526-214	J005526-214
11	1	Retainer	C-1213	J001942	J001942
12	1	Stem Seal Assembly	Buna-N -001, FKM -006	J001951-XXX	J001951-XXX
16	1	Bonnet	Cast Steel ASTM A487 4A or 2B	J001972-XXX	J001977-XXX
			Coatings	Uncoated -030, DEMCO 12 -035	
18	1	Bonnet Seal	Buna-N	J005526-438	J005526-439
			FKM	J005531-438	J005531-439
19	1	Gate		J001926-00X	J001926-00X
			Materials	AISI 4140 Nickel Plated -002 Cast SS ASTM A351 Grade CF8M Annealed -008	
20	1	Body Materials	ASTM A487 Grade 4 Class A or Grade 2 Class B Coatings (Except Weld End Bodies): DEMCO 12	Consult Cameron for Body Part Numbers	
21	1	Seat Assembly		J002207-0XX	J002207-0XX
			Materials	Inserts: -02X Steel AISI 1040 -08X 316 SS ASTM A351 Grade CF8M Annealed Elastomers: -0X1 Buna-N, -0X2 FKM	
22	1	Pin, Lock Handle	Steel	J005420-18732	J005420-18732
23	2	Bonnet Stud	ASTM A193 Grade B7	J002072	J002072
24	2	Bonnet Stud Nut	ASTM A194 Grade 2H	2709000-09-01	2709000-09-01
25	4	Body Stud	ASTM A193 Grade B7	J002074	*J024500
26	4	Body Stud Nut	ASTM A194 Grade 2H	2709000-10-01	*2709000-12-01

■ Major repair kit J025216-13221 – One each for one year of service.
 • Minor repair kit J025216-03221.
 Major and minor repair kits listed for trim option J0XXXXXX-XX72140 (410 SS Stem, Steel/QPQ Gate, HNBR Seat/Seals)
 Consult Cameron for optional repair kit trim options
 * Valves made prior to 1994 may use seven pitch stud J002075 and nut J053251-042.
 ** Available as 4-1/16" (103 mm) casing thread 2000 WP-J025020-4422110; 3000 WP-J024968-4422110.

SERIES DM GATE VALVES – 5000 PSI WP – FOUR-BOLT BONNET DESIGN

4" (100 mm) Full Port

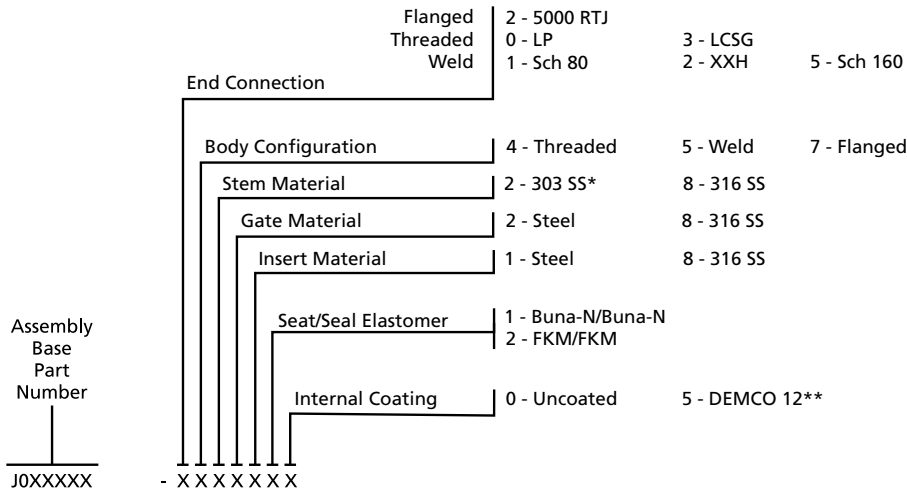
5" (125 mm) Reduced Port



Dimensional Data and Weights

Dimension	Valve Size: 4" (100 mm) FP		Valve Size: 5" x 4" (125 mm x 100 mm)	
	5000 WP		5000 WP	
A	Threaded and Weld	13.00 (330)		13.00 (330)
	Flanged – RTJ	18.00 (457)	-	-
	Flange OD	12.25 (311)	-	-
	Flange Bolts (Qty., Size: in.)	8 – 1-1/4	-	-
	Ring Number (RTJ)	R-39	-	-
Turns to Open		23		23
Weight lb (kg)				
	Threaded and Weld	210 (95)		210 (95)
	Flanged	330 (150)		-

ASSEMBLY PART NUMBER



Consult Cameron For Additional Trim Options.
 * Available on General Service valves only
 **Internal coating only, weld end bodies are not available with internal or external coatings

Parts List

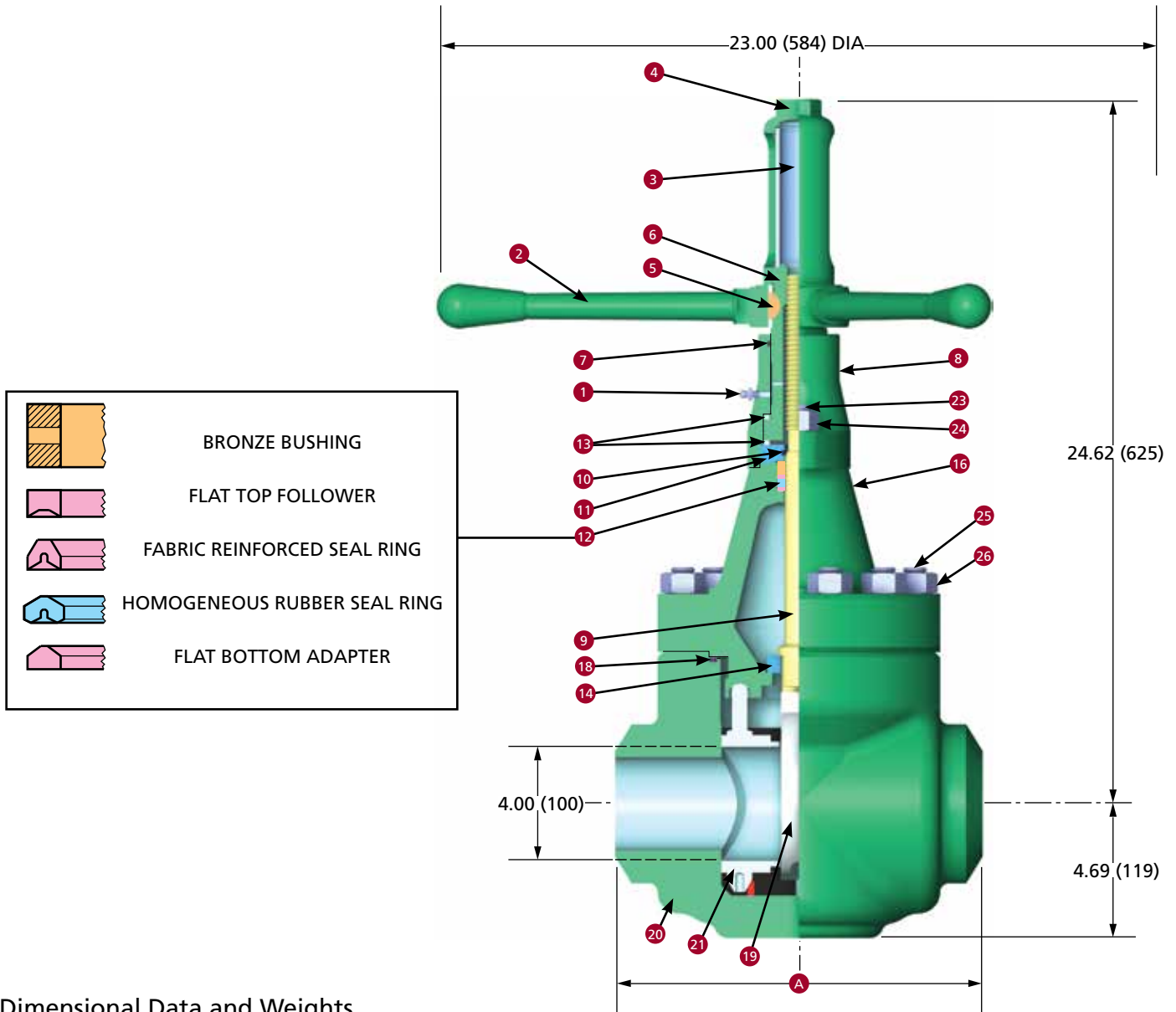
Key No.	Qty.	Description	Valve Size: 4" (100 mm) FP	Valve Size: 5" (125 mm)
			5000 WP General/(NACE)	5000 WP General/(NACE)
		Assembly Base Part Number	4" (100 mm) Full Port J007420/(J025206)	J007420/(J025206)
			5" (125 mm) Reduced Port – Weld -	-
1	1	Lube Fitting	Steel 005929-18	005929-18
2	1	Handle	ASTM A536 Ductile Iron 2139481-01	2139481-01
3	1	Tube	Clear Acrylic J007459	J007459
4	1	Stem Cap	ASTM A536 Ductile Iron J007411	J007411
■	5	Key	Steel J005305-10016	J005305-10016
■	6	Stem Screw	C-1213 J007416	J007416
■	7	Stem Screw Seal	Buna-N J005526-226	J005526-226
8	1	Screw Housing	C-1029 J007418	J007418
■	9	Stem	303 SS -002, 316 SS -008 J007439-XXX	J007439-XXX
■	10	Secondary Seal	Buna-N J005526-214	J005526-214
■	11	Retainer	C-1213 J007413	J007413
■	12	Stem Seal Assembly	Buna-N J001951-001	J001951-001
			FKM J001951-006	J001951-006
■	13	Bearing	Teflon/Phenolic J007426	J007426
■	14	Downstop Ring	303 SS J007417	J007417
16	1	Bonnet	ASTM A487 Grade 4 Class C or Grade 2 Class B Coatings J007419-XXX	J007419-XXX
■●	18	Bonnet Seal	Buna-N J005520-439	J005520-439
			FKM J005531-439	J005531-439
■●	19	Gate	J001926-00X	J001926-00X
			Materials	AISI 4140 Nickel Plated -002 ASTM A351 Grade CF8M -008
20	1	Body Materials	ASTM A487 Grade 4 Class A or Grade 2 Class B Coatings (Except Weld End Bodies): DEMCO 12	Consult Cameron for Body Part Numbers
■●	21	Seat Assembly	J002207-0XX	J002207-0XX
			Materials	Inserts: -02X Steel AISI 1040 -08X 316 SS ASTM A351 Grade CF8M Annealed Elastomers: -0X1 Buna-N, -0X2 FKM
23	2	Bonnet Stud	ASTM A193 Grade B7 J002072	J002072
24	2	Bonnet Stud Nut	ASTM A194 Grade 2H 2709000-09-01	2709000-09-01
25	4	Body Stud	ASTM A193 Grade B7 J002077	J002077
26	4	Body Stud Nut	ASTM A194 Grade 2H J001890	J001890

■ Major repair kit J025216-14221 – One each for one year of service.
 ● Minor repair kit J025216-04221.
 Major and minor repair kits listed for trim option J0XXXXX-XX72140 (410 SS Stem, Steel/QPQ Gate, HNBR Seat/Seals)
 Consult Cameron for optional repair kit trim options

SERIES DM GATE VALVES – 5000 PSI WP – 12-BOLT BONNET DESIGN

4" (100 mm) Full Port

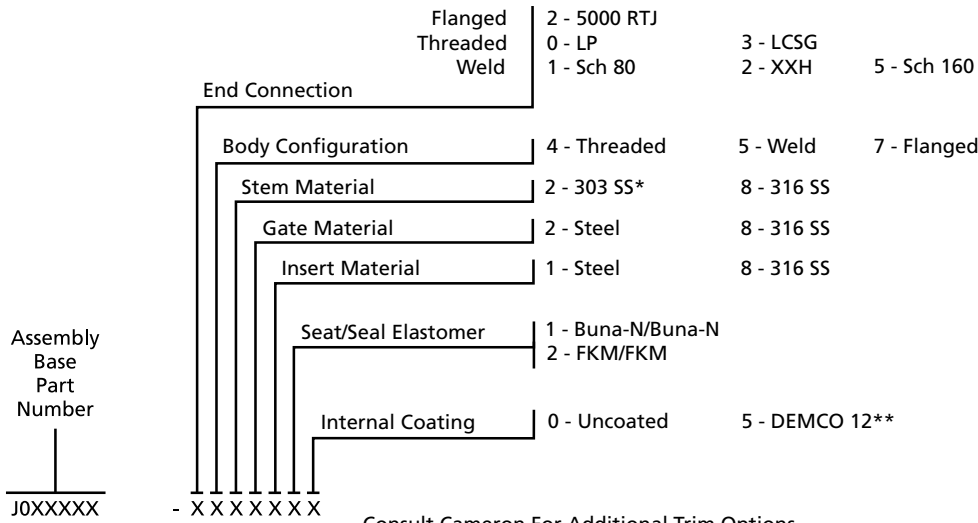
5" (125 mm) and 6" (150 mm) Reduced Port



Dimensional Data and Weights

Dimension	Valve Size: 4" (100 mm) FP		Valve Size: 5" x 4" (125 mm x 100 mm) and 6" x 4" (150 mm x 100 mm) RP	
	5000 WP		5000 WP	
A Threaded and Weld	13.00 (330)	13.00 (330)		
Flanged – RTJ	18.00 (457)	-		
Flange OD	12.25 (311)	-		
Flange Bolts (Qty., Size: in.)	8 – 1-1/4	-		
Ring Number (RTJ)	R-39	-		
Turns to Open	23	23		
Weight lb (kg)				
Threaded and Weld	210 (95)	210 (95)		
Flanged	330 (150)	-		

ASSEMBLY PART NUMBER



Consult Cameron For Additional Trim Options.
 * Available on General Service valves
 **Internal coating only, weld end bodies are not available with internal or external coatings

Parts List

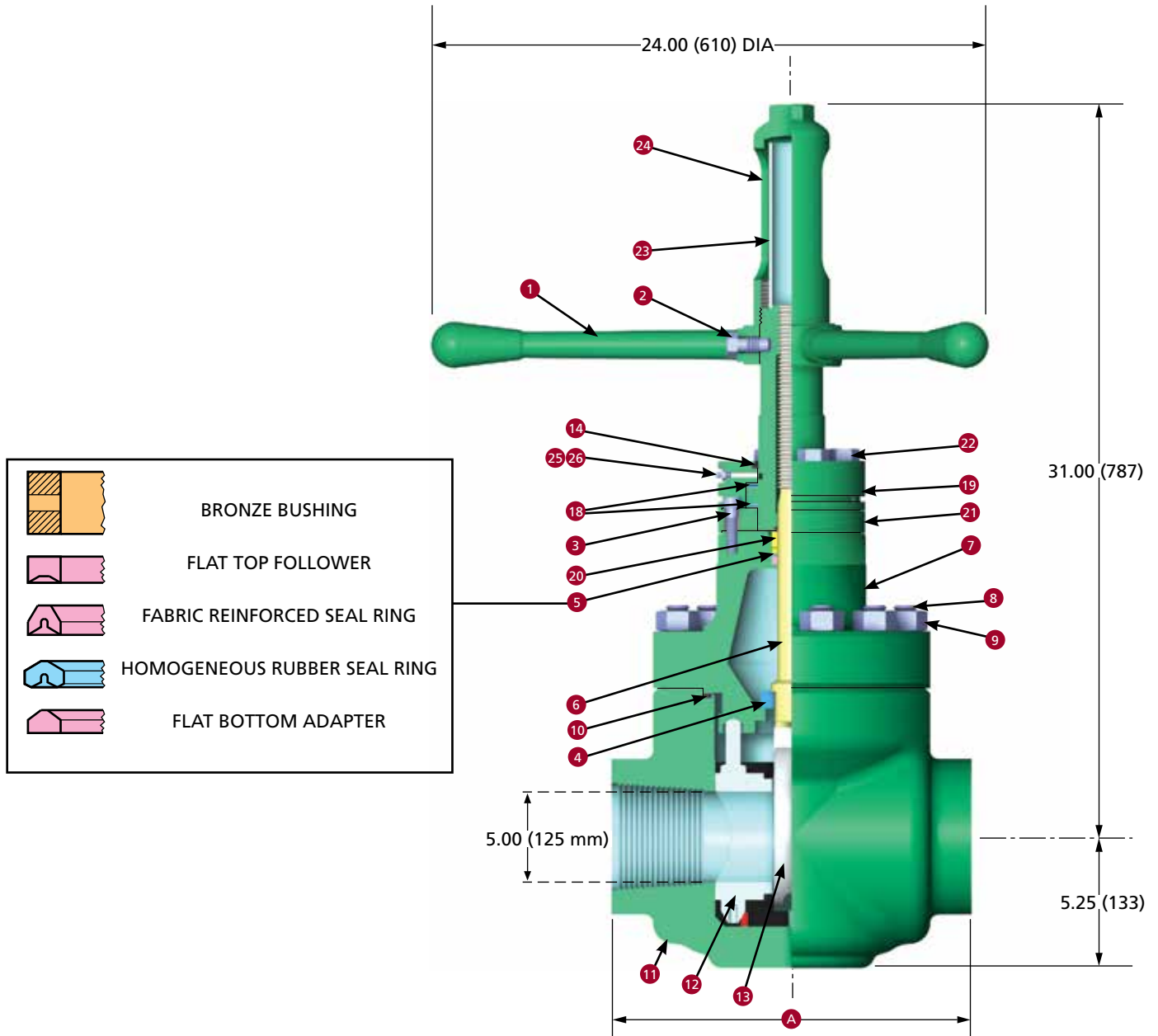
Key No.	Qty.	Description	Valve Size: 4" (100 mm) FP		Valve Size: 5" (125 mm) and 6" (150 mm) RP	
			5000 WP General/(NACE)		5000 WP General/(NACE)	
		Assembly Base Number	4" (100 mm) Full Port	J017263/(J025207)	J017263/(J025207)	
			5" (125 mm) Reduced Port – Weld	J017264/(J025122)	J017264/(J025122)	
			6" (150 mm) Reduced Port – Weld	J017265/(J024931)	J017265/(J024931)	
1	1	Lube Fitting	Steel	005929-18	005929-18	
2	1	Handle	ASTM A536 Ductile Iron	2139481-01	2139481-01	
3	1	Tube	Clear Acrylic	J007459	J007459	
4	1	Stem Cap	ASTM A536 Ductile Iron	J007411	J007411	
■	5	Key	Steel	J005305-10016	J005305-10016	
■	6	Stem Screw	C-1213	J007416	J007416	
■	7	Stem Screw Seal	Buna-N	J005526-226	J005526-226	
■	8	Screw Housing	C-1029	J007418	J007418	
■	9	Stem	303 SS -002, 316 SS -008	J007439-XXX	J007439-XXX	
■	10	Secondary Seal	Buna-N	J005526-214	J005526-214	
■	11	Retainer	C-1213	J007413	J007413	
■	12	Stem Seal Assembly	Buna-N	J001951-001	J001951-001	
			FKM	J001951-006	J001951-006	
■	13	Bearing	Teflon/Phenolic	J007426	J007426	
■	14	Downstop Ring	303 SS	J007417	J007417	
■	16	Bonnet	ASTM A487 Grade 4 Class C	J017289-XXX	J017289-XXX	
			Coatings		Uncoated -030, DEMCO 12 -035	
■●	18	Bonnet Seal	Buna-N	J005520-361	J005520-361	
			FKM	J005531-361	J005531-361	
■●	19	Gate		J001926-00X	J001926-00X	
			Materials		AISI 4140 Nickel Plated -002 ASTM A351 Grade CF8M Annealed -008	
20	1	Body Materials			Consult Cameron for Body Part Numbers	
			ASTM A487 Grade 4 Class A Coatings (Except Weld End Bodies): DEMCO 12			
■●	21	Seat Assembly		J002207-0XX	J002207-0XX	
			Materials		Inserts: -02X Steel AISI 1040 -08X 316 SS ASTM A351 Grade CF8M Annealed Elastomers: -0X1 Buna-N, -0X2 FKM	
23	2	Bonnet Stud	ASTM A193 Grade B7	J002072	J002072	
24	2	Bonnet Stud Nut	ASTM A194 Grade 2H	2709000-09-01	2709000-09-01	
25	12	Body Stud	ASTM A193 Grade B7	J015432	J015432	
26	12	Body Stud Nut	ASTM A194 Grade 2H	2709000-10-01	2709000-10-01	

- Major repair kit J025216-14221 – One each for one year of service.
 - Minor repair kit J025216-04221.
- Major and minor repair kits listed for trim option JOXXXXX-XX72140 (410 SS Stem, Steel/QPQ Gate, HNBR Seat/Seals)
 Consult Cameron for optional repair kit trim options

SERIES DM GATE VALVES – 3000 AND 5000 PSI WP

5" (125 mm) Full Port

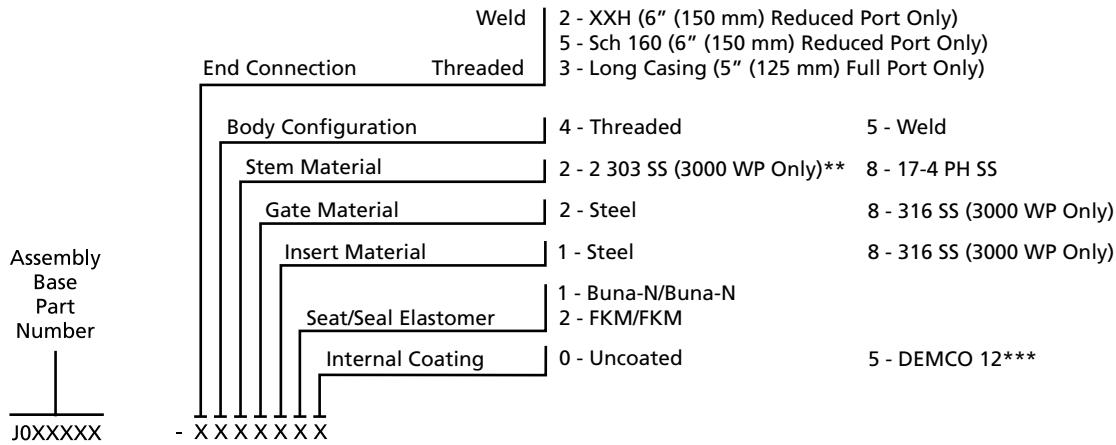
6" (150 mm) x 5" (125 mm) Reduced Port



Dimensional Data and Weights

		Valve Size: 5" (125 mm) FP and 6" x 5" (150 mm x 125 mm) RP
Dimension		3000 and 5000 WP
A	Threaded and Weld	16.00 (406)
Weight lb (kg)		335 (152)

ASSEMBLY PART NUMBER



** Available on General Service valves only

***Internal coating only, weld end bodies are not available with internal or external coatings

Parts List

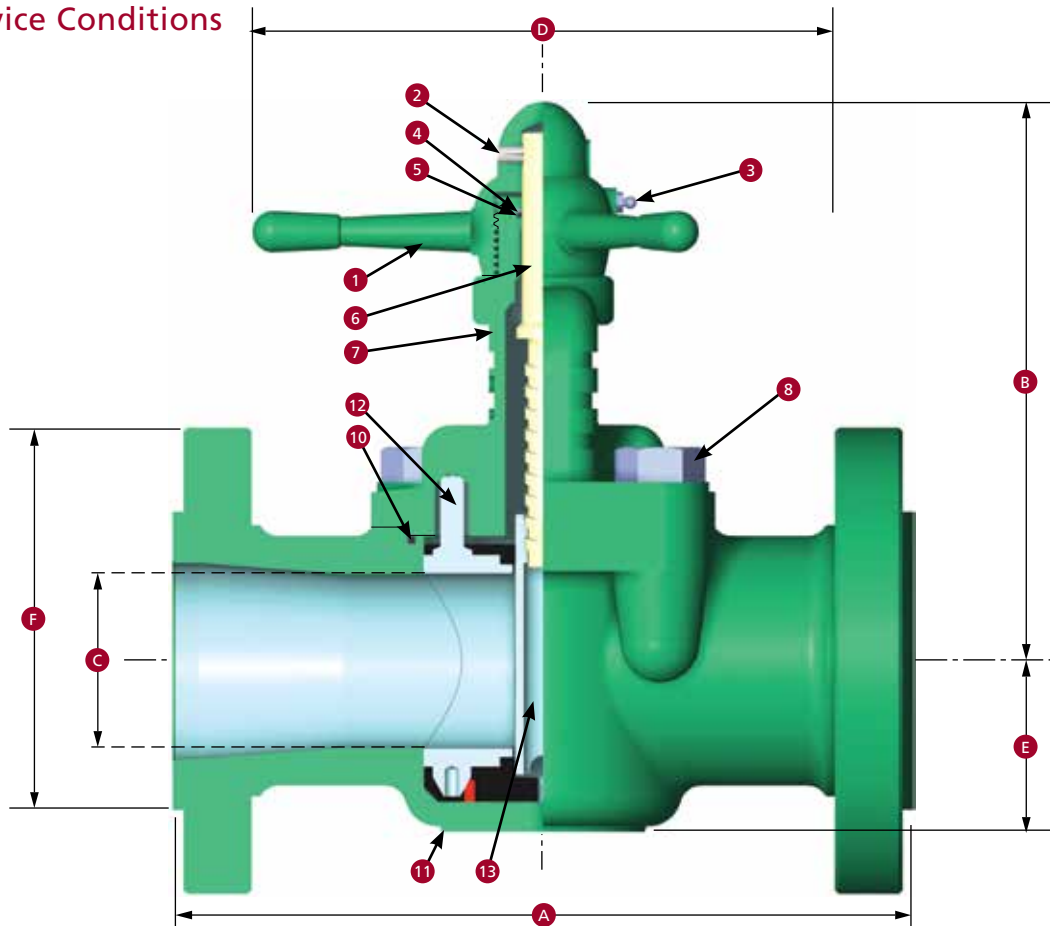
Key No.	Qty.	Description	Valve Size: 5" (125 mm) FP	Valve Size: 6" (150 mm) x 5" (125 mm) RP
			3000 WP General/(NACE)	5000 WP General/(NACE)
		Assembly Base Part Number	J021954/(TBA)	J023925/(TBA)
		Full Port – Threaded		J025086/(TBA)
		Reduced Port – Weld	-	
1	1	Handwheel Ductile Iron ASTM A536 Grade 65-45-12		2227656-01
2	1	Screw – Handwheel Steel AISI C1018		J014832
3	4	Screw – Retainer Alloy Steel		J005665-32028
4	1	Downstop Ring Steel AISI C1018		J021942
* 5	1	Stem Seal Assembly w/Bushing -001 Buna-N, -006 FKM		J015853-00X
6	1	Stem -002 303 SS -009, 17-4 pH SS	J021943-00X	J021943-009
7	1	Bonnet Cast Steel ASTM A487 Grade 4 Class C		J021944-03X
		Coatings		Uncoated -030, DEMCO 12 -035
8	12	Body Stud Steel ASTM A193 Grade B7		J015432
9	12	Body Stud Nut Steel ASTM A194 Grade 2H		2709000-10-01
* 10	1	Bonnet Seal Buna-N FKM		J005526-367 J005531-367
11	1	Body Materials ASTM A487 Grade 4 Class A Coatings (Except Weld End Bodies): DEMCO 12		Consult Cameron for Body Part Numbers
* 12	1	Seat Assembly	J021948-011 J021948-012 J021948-081 J021948-082	J021948-019 - - -
		Materials	Inserts: -01X Steel AISI 1040, -08X 316 SS (3000 WP Only) Elastomers: -0X1 Buna-N, -0X2 FKM, -0X9 90 Duro Buna-N	
* 13	1	Gate -002 Steel AISI 4140 Nickel Plated, 008 316 SS (3000 WP Only)	J021952-00X	J021952-002
14	1	Stem Screw Seal Buna-N		J005526-228
18	1	Stem Screw w/Bearings Steel AISI C1018, Steel Bearings AL. BRZ. ASTM B148 Alloy 955, Steel Bearings	J023888	- J024526
19	1	Housing Steel AISI C1018		J015332
20	1	Secondary Seal Buna-N		J005526-216
21	1	Retainer Steel AISI C1018		J015330
22	4	Screw – Housing Steel		J005650-32056
23	1	Tube Clear Acrylic		J012852
24	1	Stem Cap Ductile Iron ASTM A536 Grade 65-45-12		J015855
25	1	Lube Fitting Steel		005929-18
26	1	Relief Fitting Steel		J051971

* Recommended spare parts – One each for one year of service.

SERIES DM GATE VALVES – ASME CLASS 600

2" (50 mm) Full Port

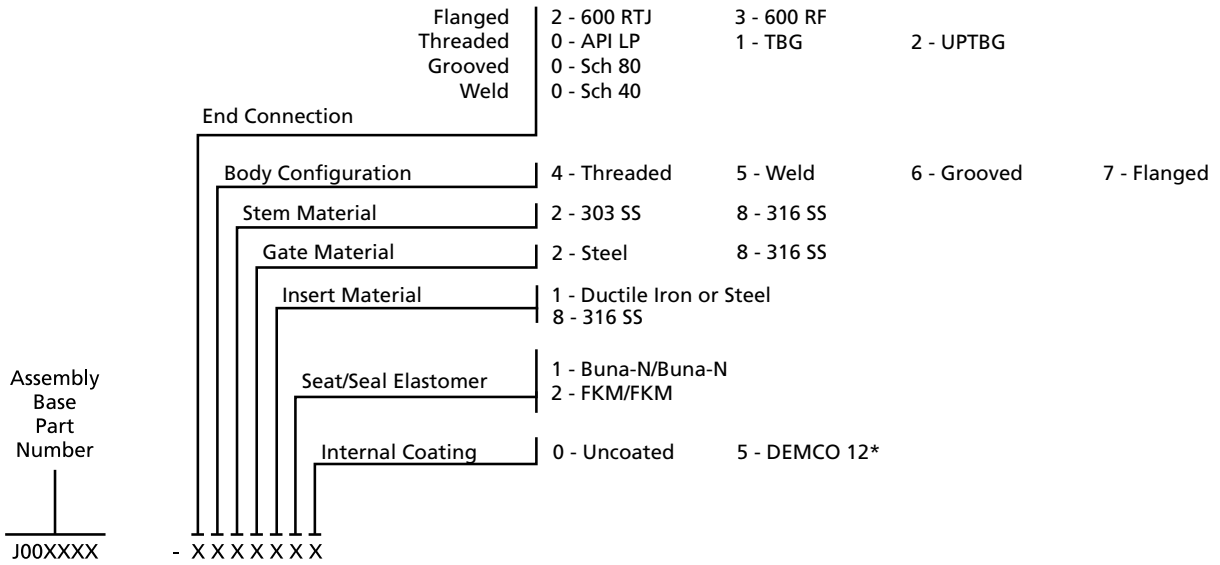
2" (50 mm) Reduced Port for
General Service Conditions



Dimensional Data and Weights

Dimension	Valve Size: 2" x 1-1/2" (50 mm x 40 mm) RP	Valve Size: 2" (50 mm) FP
	ASME Class 600	ASME Class 600
A Full Port – Threaded, Weld and Grooved	7.75 (197)	8.88 (226)
Reduced Port – Threaded	-	7.75 (197)
Flanged – RF	-	11.50 (292)
Flanged – RTJ	-	11.62 (295)
B (Open) – Full Port	7.75 (197)	8.75 (222)
(Open) – Reduced Port	-	7.75 (197)
C (Seat Bore) – Full Port	1.62 (41)	2.00 (50)
(Seat Bore) – Reduced Port	-	1.62 (41)
D Full Port	9.50 (241)	11.00 (279)
Reduced Port	-	9.50 (241)
E Full Port	2.00 (50)	2.19 (56)
Reduced Port	-	2.00 (50)
F Flange OD	-	6.50 (165)
Flange Bolts (Qty., Size: in.)	-	8 – 5/8
Ring Number (RTJ)	-	R-23
Weight lb (kg)		
Full Port – Threaded, Weld and Grooved	20 (9)	26 (12)
Reduced Port – Threaded	-	20 (9)
Full Port – Flanged	-	44 (20)
Reduced Port – Flanged	-	40 (18)

ASSEMBLY PART NUMBER



Consult Cameron For Additional Trim Options.
 *Internal coating only, weld end bodies are not available with internal or external coatings

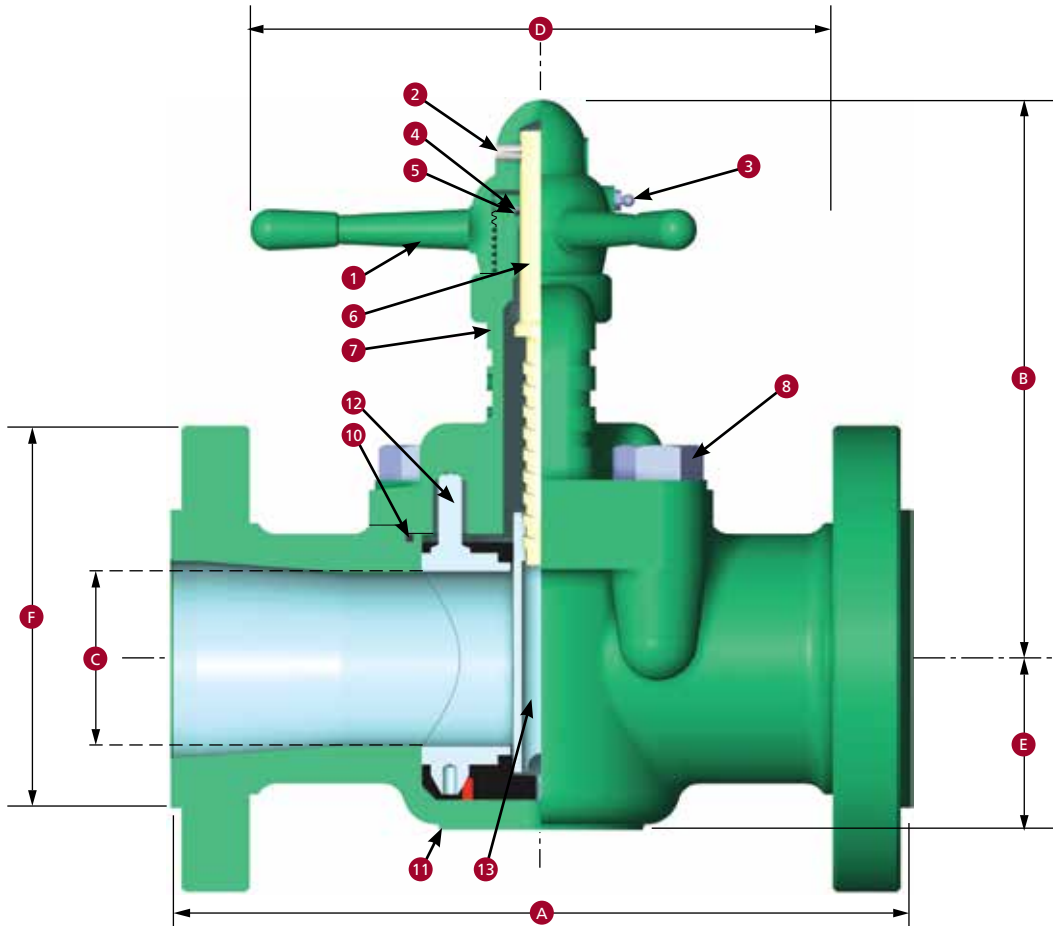
Parts List

Key No.	Qty.	Description	Valve Size: 2" x 1-1/2" RP (50 mm x 40 mm) RP		
			ASME Class 600	Valve Size: 2" FP (50 mm) FP ASME Class 600	
		Assembly Base Part Number	Full Port – Threaded	J003938	J001072
			– Weld	-	J001092
			– Grooved	-	J001082
			– Flanged	-	J001062
1	1	Handle	Ductile Iron ASTM A536 Grade 65-45-12	J004375	J001276
2	1	Stem Pin	Spring Steel	J005445-25020	J005445-37528
3	1	Lube Fitting	Steel	005929-18	005929-18
4	1	Backup Ring	Chrome Leather	J005532-115	J005532-211
5	1	Stem Seal	Buna-N	J005526-115	J005526-211
			FKM	J005531-115	J005531-211
6	1	Stem	303 SS -002, 316 SS -008	J004376-XXX	J001279-XXX
7	1	Bonnet	Ductile Iron ASTM A395	-	-
			Steel ASTM A216 Grade WCB	J004330-02X	J001277-02X
			Coatings		Uncoated -0X0 DEMCO 12 -0X5
8	4	Body Screw	SAE Grade 5	J005651-32024	J005651-32024
10	1	Bonnet Seal	Buna-N	J005526-234	J005526-239
			FKM	J005531-234	J005531-239
11	1	Body Materials	2" (50 mm) Full Class 400 Threaded, Grooved and Flanged: Ductile Iron ASTM A395 2" (50 mm) Full Class 600 Threaded, Weld and Grooved: Forged Steel AISI C1029 Normalized All Others: Steel, ASTM A216 Grade WCB Coatings (Except Weld End Bodies): DEMCO 12	Consult Cameron for Body Part Numbers	
12	1	Seat	Materials	J004081-0XX Inserts: -01X Ductile Iron ASTM A395 or Steel AISI 1040 -08X Stainless Steel ASTM A351 Grade CF8M Annealed Elastomers: -0X1 Buna-N, -0X2 FKM	J001876-0XX
13	1	Gate	Materials: -002 Steel, Nickel Plated -008 Stainless Steel	J004393-00X AISI C1144 AISI 316 Annealed	J001275-00X AISI C1045 ASTM A351 CF8M Annealed

SERIES DM GATE VALVES – ASME CLASS 600

2-1/2" (65 mm) through 6" (150 mm) Full Port

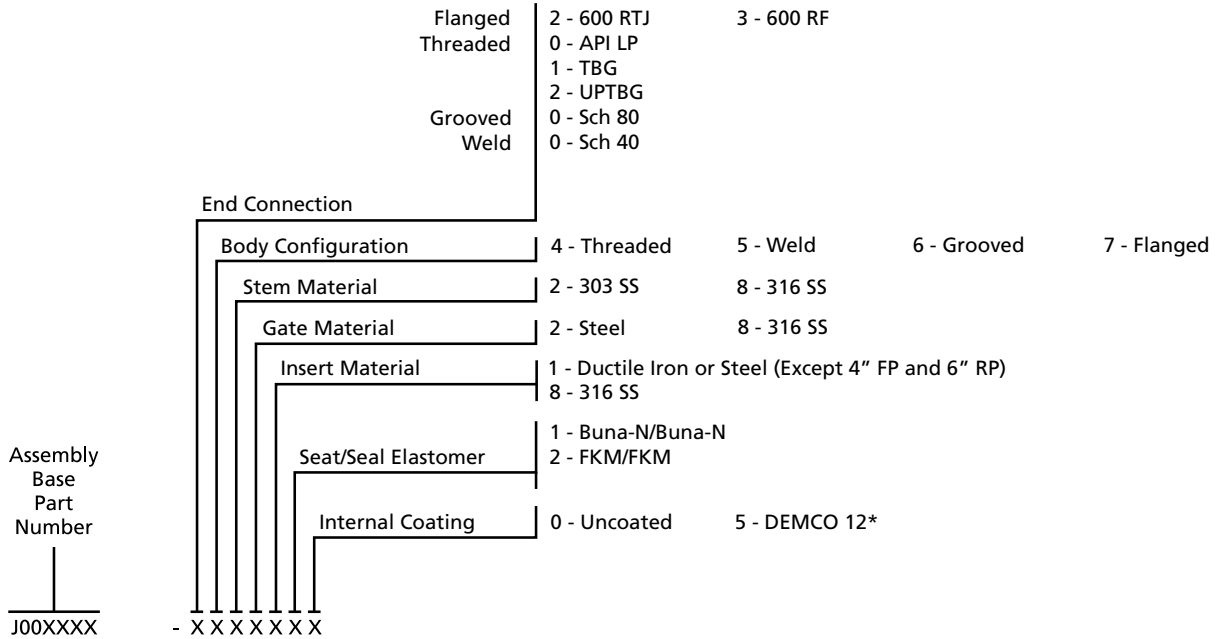
8" (200 mm) Reduced Port for General Service Conditions



Dimensional Data and Weights

Dimension	2-1/2" (65 mm) FP	3" (80 mm) FP	4" (100 mm) FP	6" (150 mm) FP	8" x 6" (200 x 150 mm) RP	
	ASME Class 600	ASME Class 600	ASME Class 600	ASME Class 600	ASME Class 600	
A	Threaded, Weld and Grooved Flanged – RF Flanged – RTJ	10.00 (254) 13.00 (330) 13.12 (333)	10.25 (260) 14.00 (356) 14.12 (359)	11.88 (302) 17.00 (432) 17.12 (435)	15.50 (394) 22.00 (559) 22.12 (562)	- 26.00 (660) 26.12 (663)
B	(Open) – Full Port (Open) – Reduced Port	10.62 (270) -	11.38 (289) -	13.88 (353) -	19.25 (489) -	- 19.25 (489)
C	(Seat Bore) – Full Port (Seat Bore) – Reduced Port	2.50 (65) -	3.00 (80) -	4.00 (100) -	6.00 (150) -	- 6.00 (150)
D	Full Port Reduced Port	12.62 (321) -	12.62 (321) -	14.25 (362) -	24.00 (610) -	- 24.00 (610)
E	Full Port Reduced Port	2.75 (70) -	3.19 (81) -	3.94 (100) -	5.62 (143) -	- 5.62 (143)
F	Flange OD Flange Bolts (Qty., Size: in.) Ring Number (RTJ)	7.50 (191) 8 – 3/4 R-26	8.25 (210) 8 – 3/4 R-31	10.75 (273) 8 – 7/8 R-37	14.00 (356) 12 – 1 R-45	16.50 (419) 12 – 1-1/8 R-49
Weight lb (kg)						
FP – Threaded, Weld and Grooved	48 (22) 50 (23)	58 (26) 60 (27)	98 (44)	310 (141)	-	
FP – Flanged	70 (32) 74 (34)	90 (41) 96 (44)	176 (80)	428 (194)	-	
RP – Flanged	-	-	-	-	590 (268)	

ASSEMBLY PART NUMBER



Consult Cameron For Additional Trim Options.

*Internal coating only, weld end bodies are not available with internal or external coatings

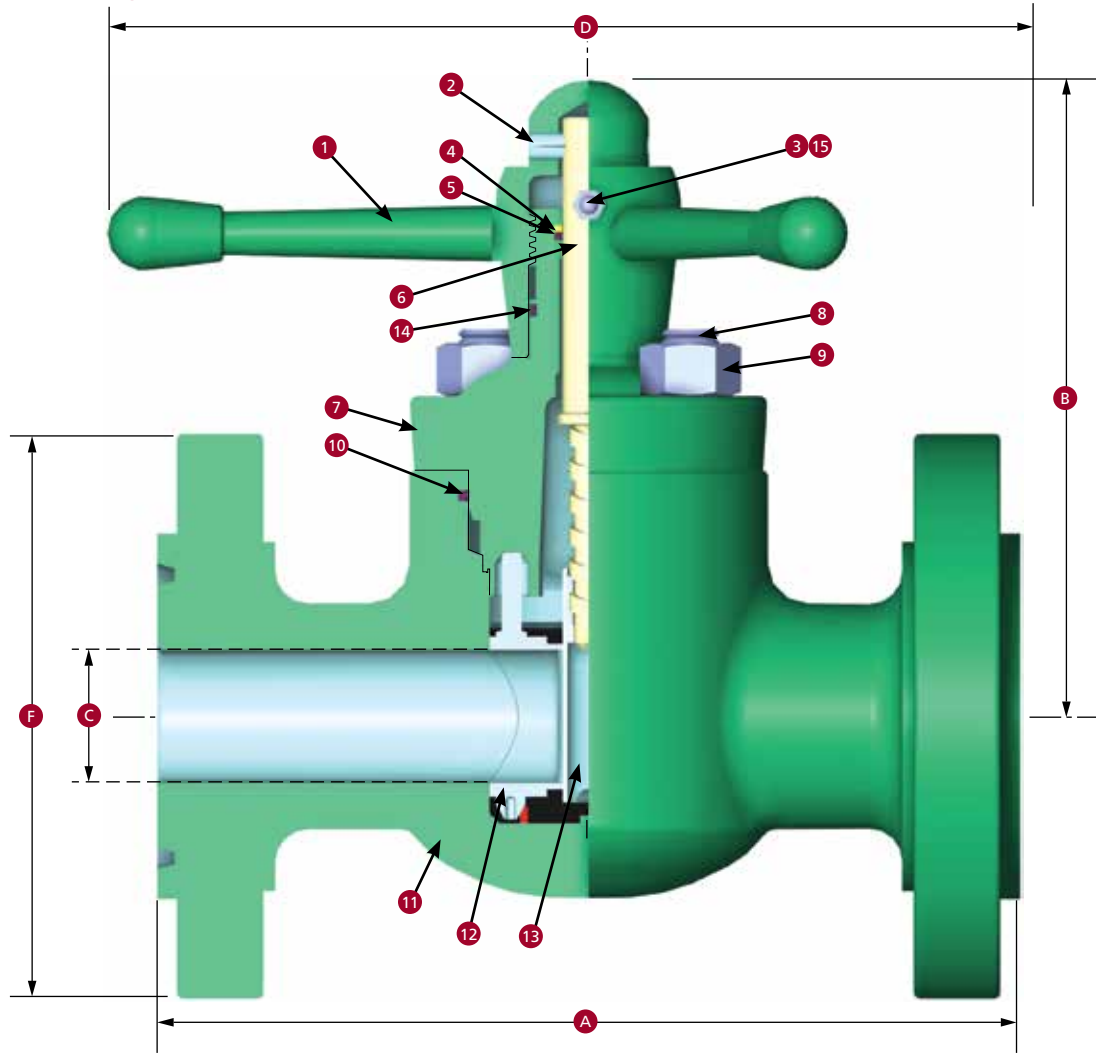
Parts List

Key No.	Qty.	Description	Valve Size	Valve Size	Valve Size	Valve Size	
			2-1/2" (65 mm) FP	3" (80 mm) FP	4" (100 mm) FP	6" (150 mm) FP 8" (200) RP	
			ASME Class 600	ASME Class 600	ASME Class 600	ASME Class 600	
		Assembly Base Part Number	Full Port – Threaded	J001074	J001076	J001078	J001080
			– Weld	J001094	J001096	J001098	J001100
			– Grooved	J001084	J001086	J001088	J001090
			– Flanged	J001064	J001066	J001068	J001070
			Reduced Port – Flanged	-	-	-	J003945
1	1	Handle	Ductile Iron ASTM A536 Grade 65-45-12	J001290	J001290	J001849	J001850
2	1	Stem Pin	Spring Steel	J005445-37528	J005445-37528	J005445-37532	J005445-37532
3	1	Lube Fitting	Steel	005929-18	005929-18	005929-18	005929-18
4	1	Backup Ring	Chrome Leather	J005532-212	J005532-212	J005532-214	J005532-214
5	1	Stem Seal	Buna-N	J005526-212	J005526-212	J005526-214	J005526-214
			FKM	J005531-212	J005531-212	J005531-214	J005531-214
6	1	Stem	303 SS -002, 316 SS -008	J001291-XXX	J001291-XXX	J001853-XXX	J001854-XXX
7	1	Bonnet	ASTM A395 Ductile Iron	-	J001856-01X	-	J001858-01X
			ASTM A216 Grade WCB	J001293-02X	-	J001857-01X	-
			Coatings	-	J001856-02X	-	J001857-02X
			Uncoated -0X0, DEMCO 12 -0X5	-	-	-	-
8	4	Body Stud	ASTM A193 Grade B7	J002066	J001861	J001862	J001863
9	4	Body Stud Nut	ASTM A194 Grade 2H	2709000-08-01	2709000-09-01	2709000-10-01	2709000-14-01
10	1	Bonnet Seal	Buna-N	J005526-245	J005526-249	J005526-258	J005526-446
			FKM	J005531-245	J005531-249	J005531-258	J005531-446
11	1	Body Materials	Class 400 3" (80 mm) Full Port through 6" (150 mm) Full Port Threaded, Grooved and Flanged: Ductile Iron ASTM A395 All Others: Steel, ASTM A216 Grade WCB Coatings (Except Weld End Bodies): DEMCO 12	Consult Cameron For Body Part Numbers			
12	1	Seat	Materials	J001877-0XX	J001878-0XX	J002207-0XX	J001880-0XX
				Inserts: -01X Ductile Iron ASTM A395 or Steel AISI 1040 2-1/2", 3", 6" -02X Steel AISI 1040 4" -08X Stainless Steel ASTM A351 Grade CF8M Annealed Elastomers: -0X1 Buna-N, -0X2 FKM			
13	1	Gate	Materials	J001881-00X	J001882-00X	J001883-00X	J001884-00X
				-002 Steel AISI 1045, Nickel Plated, -008 316 SS Annealed			

SERIES DM GATE VALVES – ASME CLASSES 900 AND 1500

2" (50 mm) through 6" (150 mm) Full Port

2" (50 mm) through 3" (80 mm) Full Port

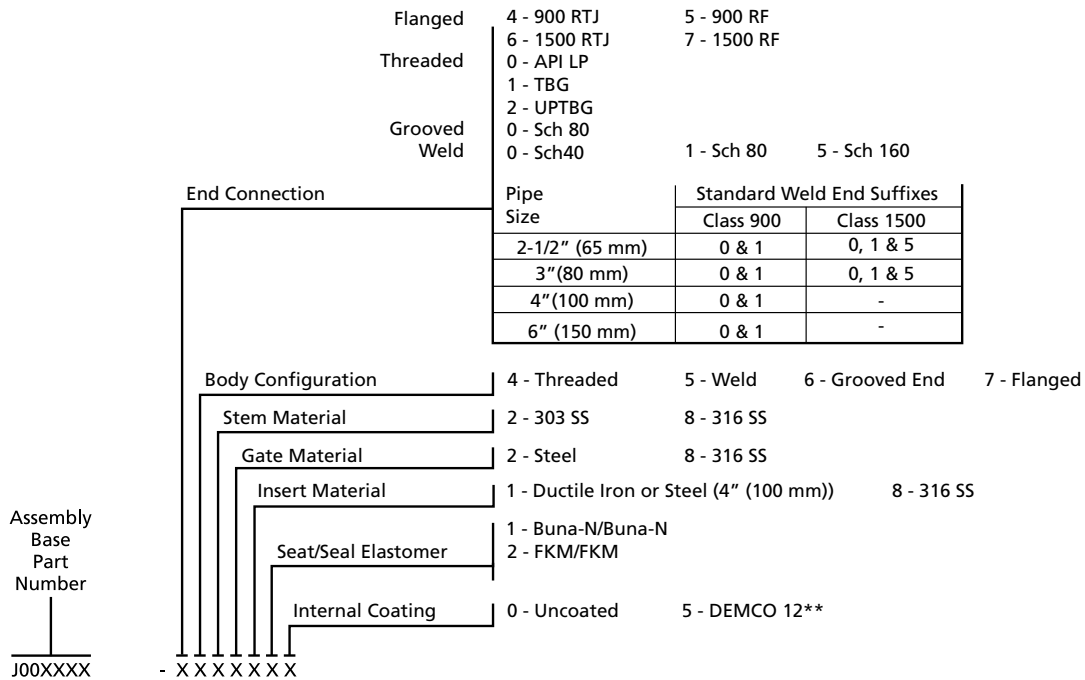


Dimensional Data and Weights

Dimension	Valve Size					
	2" (50 mm) FP	2-1/2" (65 mm) FP	3" (80 mm) FP		4" (100 mm) FP	6" (150 mm) FP
	ASME Class 1500	ASME Classes 900 and 1500	ASME Class 900	ASME Class 1500	ASME Class 900	ASME Class 900
A	Threaded, Weld and Grooved N/A*	9.75 (248)	11.00 (279)	11.00 (279)	13.00 (330)	20.00 (508)
	Flanged – RF	16.50 (419)	15.00 (381)	18.50 (470)	18.00 (457)	24.00 (610)
	Flanged – RTJ	16.62 (422)	15.12 (384)	18.62 (473)	18.12 (460)	24.12 (613)
B	Open	22.88 (581)	12.75 (324)	12.75 (324)	15.00 (381)	19.25 (489)
C	Seat Bore	2.50 (65)	3.00 (80)	3.00 (80)	4.00 (100)	6.00 (150)
D		19.00 (483)	19.00 (483)	19.00 (483)	23.00 (584)	24.00 (610)
F	Flange OD	9.62 (244)	9.50 (241)	10.50 (267)	11.50 (292)	15.00 (381)
	Flange Bolts (Qty., Size: in.)	8 – 7/8	8 – 7/8	8 – 1-1/8	8 – 1-1/8	12 – 1-1/8
	Ring Number (RTJ)	R-27	R-31	R-35	R-37	R-45
Weight lb (kg)						
	Threaded, Weld and Grooved N/A*	87 (39)	95 (43)	113 (51)	140 (64)	325 (147)
	Flanged	170 (77)	160 (73)	205 (93)	230 (104)	540 (245)

* Refer to 2000, 3000, and 5000 threaded, weld, and grooved end on pages 22 and 23.

ASSEMBLY PART NUMBER



Consult Cameron For Additional Trim Options.
 **Internal coating only, weld end bodies are not available with internal or external coatings

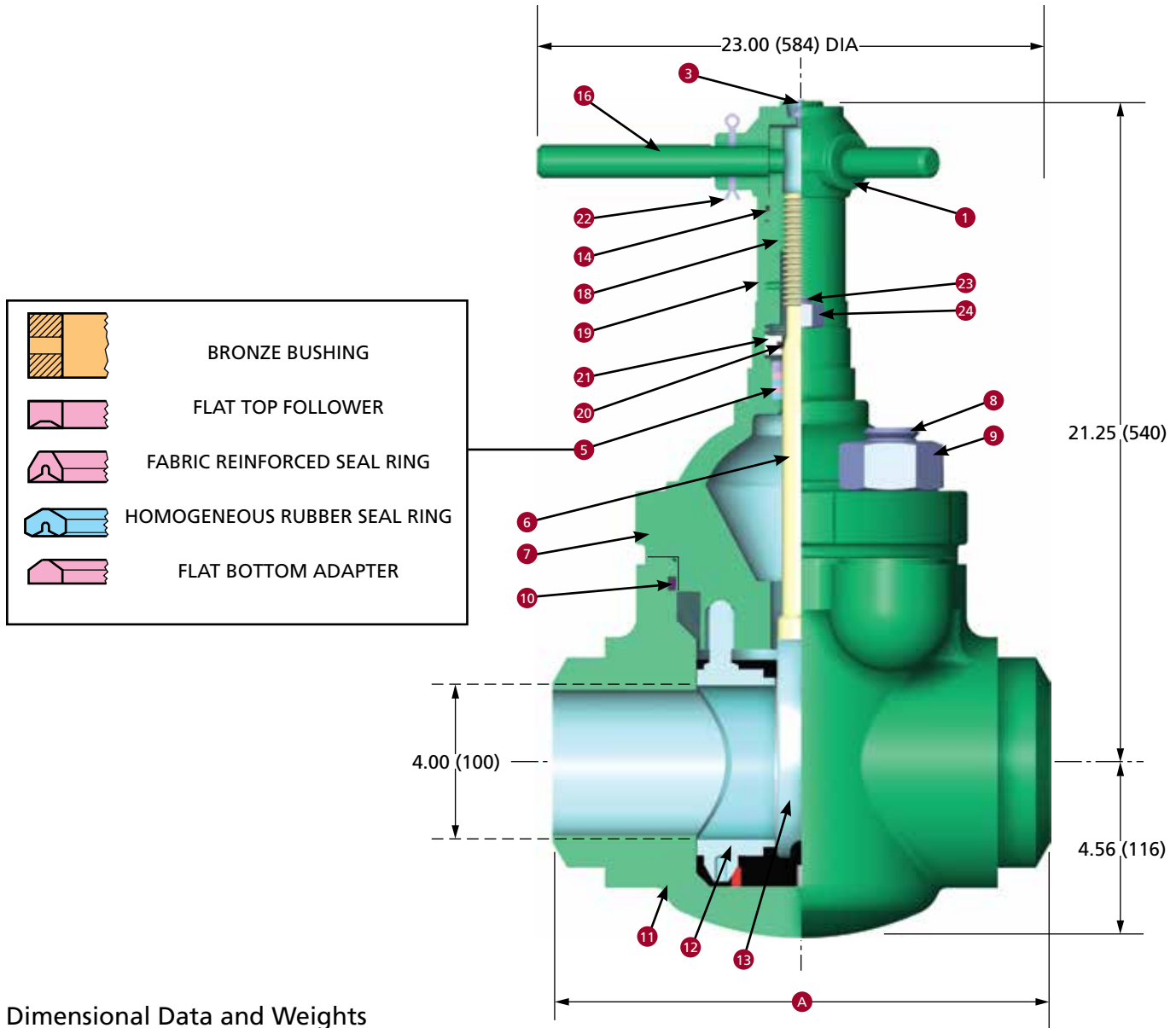
Parts List

Key No.	Qty.	Description	Valve Size							
			2" (50 mm) FP		2-1/2" (65 mm) FP		3" (80 mm) FP		4" (100 mm) JFP	6" (150 mm) FP
			ASME Class 900	ASME Class 1500	ASME Class 900	ASME Class 1500	ASME Class 900	ASME Class 1500	ASME Class 900	ASME Class 900
		Assembly Base Part Number	J003947	J003948	J003951	J003952	J003953	J003957	J003955	J003999
1	1	Handle Ductile Iron ASTM A536 Grade 65-45-12	J023661		J0018195		J0018195		J023663	J001850
2	1	Stem Pin Spring Steel	J005445-37528		J005445-37528		J005445-37528		J005445-37532	
3	1	Lube Fitting Steel	005929-18		005929-18		005929-18		005929-18	
4	1	Backup Ring Chrome Leather	J005532-211		J005532-212		J005532-212		J005532-214	
* 5	1	Stem Seal Buna-N FKM	J005526-211 J005531-211		J005526-212 J005531-212		J005526-212 J005531-212		J005526-214 J005531-214	
6	1	Stem 303 SS -002, 316 SS -008	J004395-XXX		J004396-XXX		J004396-XXX		J004397-00X	J001854-00X
7	1	Bonnet ASTM A487 Grade 4 Class A Coatings	J004320-03X		J004322-03X		J004324-03X Uncoated -030, DEMCO 12 -035	J004326-03X	J004328-03X	J001780-03X
8	4	Body Stud	J002072		J002074		J002072	J002074	J002074	J002077
9	4	Body Stud Nut ASTM A194 Grade 2H	2709000-09-01		2709000-10-01		2709000-09-01		2709000-10-01	J001890
* 10	1	Bonnet Seal Buna-N FKM	J005526-342 J005531-342		J005526-427 J005531-427		J005526-431 J005531-431	J005526-433 J005531-433	J005526-438 J005531-438	J005526-446 J005531-446
11	1	Body Materials ASTM A487 Grade 4 Class A or Grade 2 Class B	Consult Cameron for Body Part Numbers							
* 12	1	Seat Assembly Materials	J001876-0XX		J001877-0XX		J001878-0XX		J002207-0XX	J001880-0XX
			Inserts: -01X Ductile Iron ASTM A395 or Steel AISI 1040 -08X 316 SS ASTM A351 Grade CF8M Annealed Elastomers: -0X1 Buna-N, -0X2 FKM							
* 13	1	Gate Materials	J001275-XXX		J001881-XXX		J001882-00X		J001883-00X	J001884-00X
			-002 Nickel Plated Steel AISI 4145 -008 316 SS Wrought Type - 2" (50 mm) Only ASTM A351 CF8M - Others							
14	1	Screw Seal Buna-N	J005526-222		J005526-234		J005526-224		J005526-226	-
15	1	Relief Fitting Steel	J005197		J005197		J005197		J005197	-

* Recommended spare parts – one each for one year of service.

SERIES DM GATE VALVES – ASME CLASS 1500

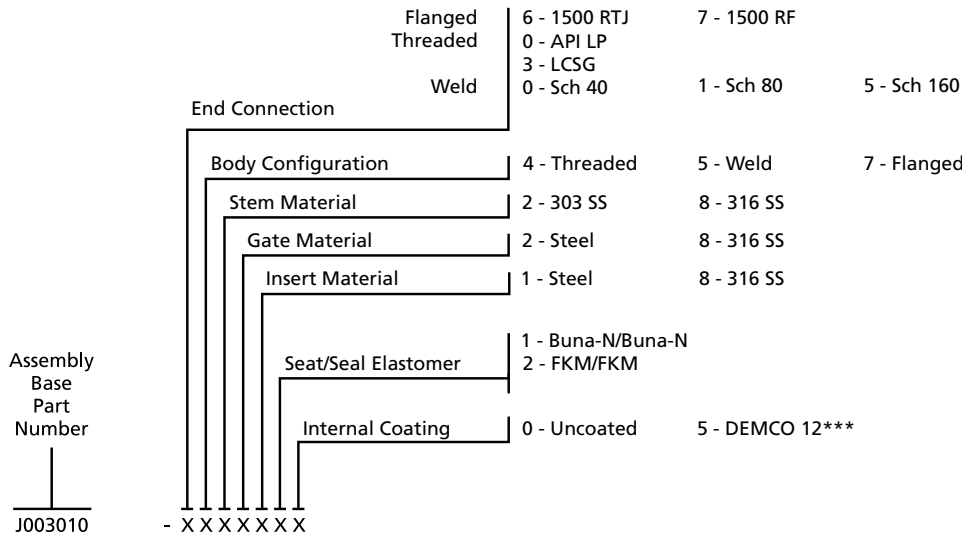
4" (100 mm) Full Port for General Service Conditions



Dimensional Data and Weights

		Valve Size: 4" (100 mm) FP	
		ASME Class 1500	
Dimension	A	Threaded and Weld	13.00 (330)
		Flanged – RF	21.50 (546)
		Flanged – RTJ	21.62 (549)
		Flange OD	12.25 (311)
		Flange Bolts (Qty., Size: in.)	8 – 1-1/4
		Ring Number (RTJ)	R-39
Weight lb (kg)			
	Threaded and Weld		162 (73)
	Flanged		320 (145)

ASSEMBLY PART NUMBER



Consult Cameron For Additional Trim Options.

***Internal coating only, weld end bodies are not available with internal or external coatings

Parts List

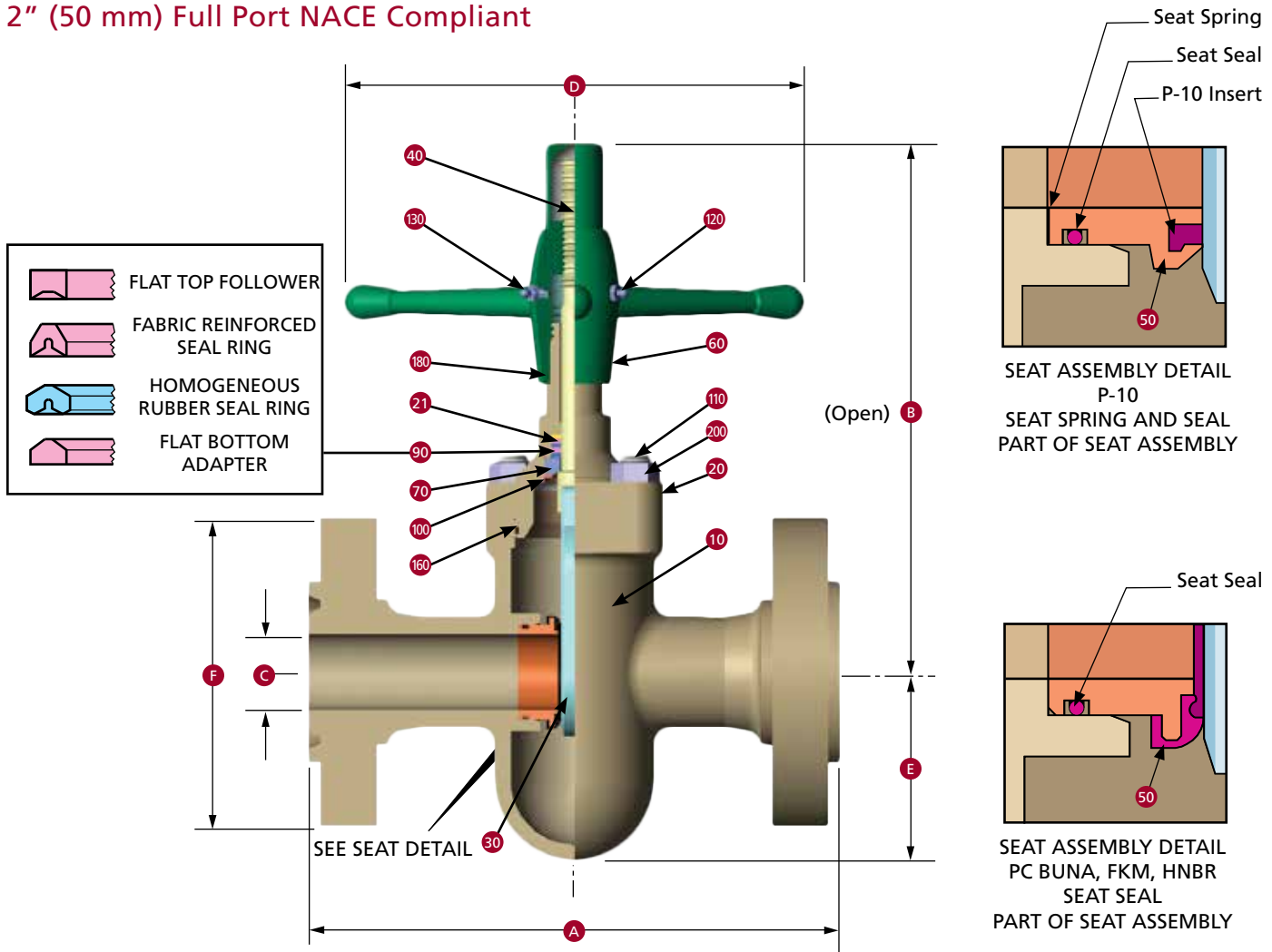
Key No.	Qty.	Description	Valve Size: 4" (100 mm) FP	
			ASME Class: 1500	
		Assembly Base Part Number		J003010
1	1	Handle Assembly	Ductile Iron ASTM A536 Grade 65-45-12	2139714-01
3	1	Lube Fitting	Steel	005929-18
* 5	1	Stem Seal Assembly	Buna-N	J001951-001
			FKM	J001951-006
6	1	Stem	303 SS -002, 316 SS -008	J001933-XXX
7	1	Bonnet	ASTM A487 Grade 4 Class A or Class B	J001977-XXX
			Coatings	Uncoated -030, DEMCO 12 -035
8	4	Body Stud	ASTM A193 Grade B7	**J0024500
9	4	Body Stud Nut	ASTM A194 Grade 2H	**2709000-12-01
* 10	1	Bonnet Seal	Buna-N	J005526-439
			FKM	J005531-439
11	1	Body Materials	ASTM A487 Grade 4 Class A or Grade 2 Class B	Consult Cameron for Body Part Numbers
* 12	1	Seat	Materials	J002207-0XX
			Inserts: -02X Steel AISI 1040	
			-08X 316 SS ASTM A351 Grade CF8M Annealed	
			Elastomers: -0X1 Buna-N, -0X2 FKM	
* 13	1	Gate	Materials	J001926-XXX
			-002 AISI 4140 Nickel Plated	
			-008 ASTM A351 Grade CF8M	
14	1	Screw Seal	Buna-N	J005526-227
16	1	Lock Handle	AISI C1213	J001897
18	1	Stem Screw	AISI C1213	J001915
19	1	Screw Housing	AISI 1029	J001958
* 20	1	Secondary Seal	Buna-N	J005526-214
21	1	Retainer	AISI C1213	J001942
22	1	Pin, Lock Handle	Steel	J005420-18732
23	2	Bonnet Stud	ASTM A193 Grade B7	J002072
24	2	Body Stud Nut	ASTM A194 Grade 2H	2709000-09-01

* Recommended spare parts – one each for one year of service.

** Valves made prior to 1994 may use 7 pitch stud J002075 and nut J053251-042.

SERIES DT GATE VALVES – ASME CLASSES 600, 900, AND 1500

2" (50 mm) Full Port NACE Compliant



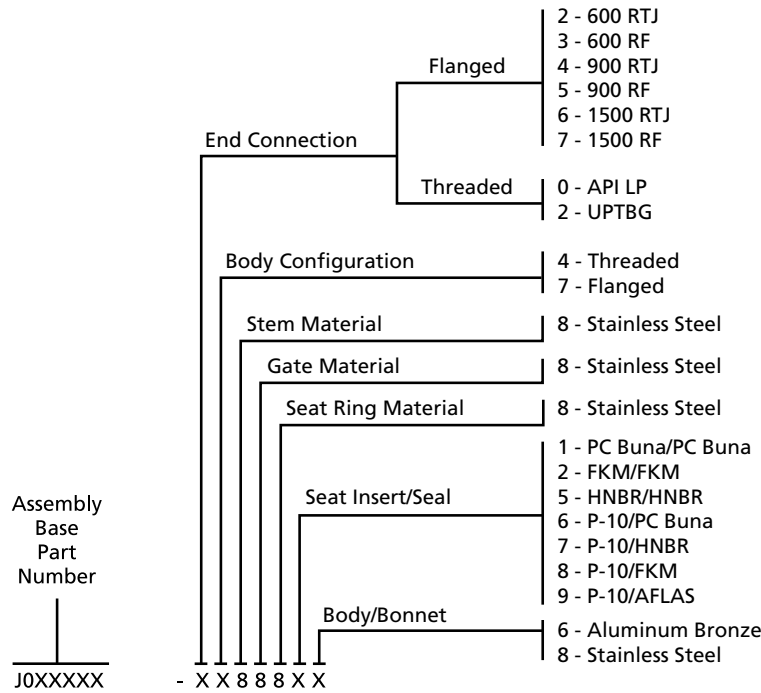
Dimensional Data and Weights

Dimension	Valve Size: 2" (50 mm) FP		
	ASME Class 600	ASME Class 900	ASME Class 1500
A	Threaded Flanged – RF Flanged – RTJ	- 8.50 (216) 14.50 (368)	8.50 (216) 14.50 (368) 14.62 (371)
B	(Open)	15.54 (395)	15.54 (395)
C	(Seat Bore)	2.06 (52)	2.06 (52)
D		14.50 (368)	14.50 (368)
E		5.00 (127)	5.25 (133)
F	Flange OD Flange Bolts (Qty., Size: in.) Ring Number (RTJ)	6.50 (165) 8 – 5/8 R-23	8.50 (216) 8 – 7/8 R-24
Weight lb (kg)			
	Threaded	-	44 (20)
	Flanged	48 (22)	82 (37)

Working Pressure (psi)

End Connection	Material	ASME Class 600	ASME Class 900	ASME Class 1500
Threaded	Bronze	-	2220	3705
	Stainless Steel	-	2220	3705
Flanged	Bronze	1480	2220	3705
	Stainless Steel	1440	2160	3600

ASSEMBLY PART NUMBER

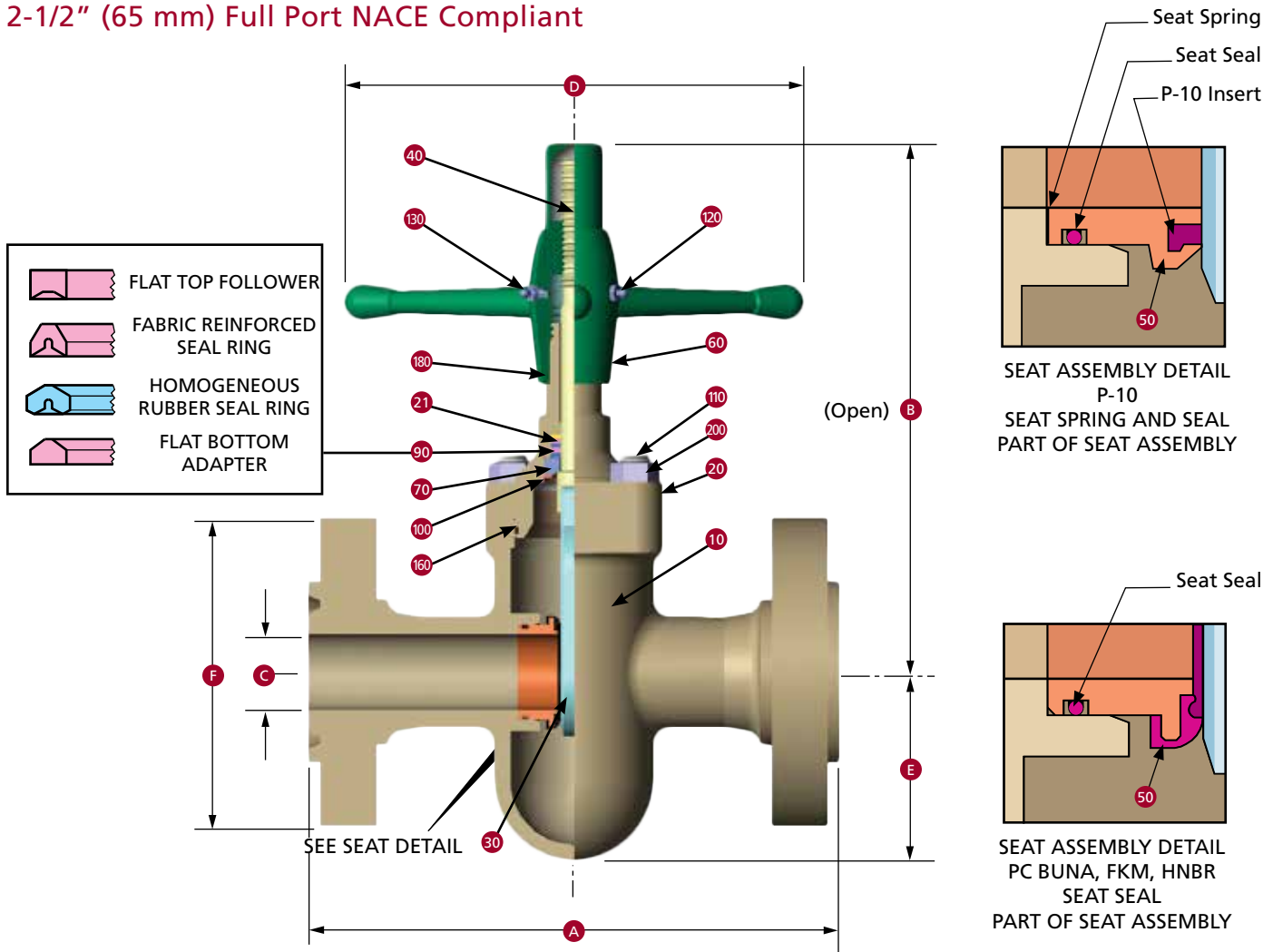


Parts List

Key No.	Qty.	Description	Valve Size: 2" (50 mm) FP		Material Specification (See Note 1)
			ASME Class 600	ASME Class 900/1500	
10	1	Assembly Base Part Number Body	J024997	J024998/J024999	Aluminum Bronze ASTM B148 Alloy 955 Stainless Steel CF8M
20	1	Bonnet	2060241-11 2060241-12	J024323-060 J024660-080	Aluminum Bronze ASTM B148 Alloy 955 Stainless Steel CF8M
21	1	Stem Bushing (f/SS Bonnet)		J024661-060	Bronze ASTM B505 Alloy 93200
30	1	Gate	1, 2, 5 6, 7, 8, 9	J024558-008 J024559-008	Stainless Steel CF8M
40	1	Stem		J024089-008	316 SS
50	2	Seat Assembly (See Note 2)	1 2 5 6 7 8 9	2061588-01 2061589-01 2227057-01 2061590-01 2227058-01 Consult Cameron for Assembly Part Numbers Consult Cameron for Assembly Part Numbers	Ring: CF8M; Elastomer: Buna-N Ring: CF8M; Elastomer: FKM Ring: CF8M; Elastomer: HNBR Ring: CF8M; Insert: PEEK; Seal: Buna-N Spring: INCONEL® X-750 Ring: CF8M; Insert: PEEK; Seal: HNBR Spring: INCONEL X-750 Ring: CF8M; Insert: PEEK; Seal: HNBR Spring: INCONEL X-750 Ring: CF8M; Insert: PEEK; Seal: AFLAS Spring: INCONEL X-750
60	1	Handle		2139937-01	Ductile Iron ASTM A536 Grade 65-45-12
70	1	Stem Packing Retainer		J024324-008	316 SS
90	1	Stem Seal Assembly		J024882-601	Teflon/Elgiloy
100	1	Retainer Snap Ring		J090066-162	PH 15-7 Mo
110	4	Stud	219066-07-02-21	219066-08-02-61	ASTM A193 B7M/Zinc-Plated
120	1	Lube Fitting		005929-18	Steel
130	1	Vent Fitting		2726258-01	Steel
160	1	Bonnet Seal (See Note 2)	1, 6 2, 8 5, 7 9	J005520-234 J005521-234 2712425-37 2788035-08 J005526-219	Buna-N FKM HNBR AFLAS Buna-N
180	1	Handle Seal		J005526-219	Buna-N
200	4	Nut	2709000-07-11	2709000-08-11	ASTM A194 2HM/Zinc-Plated

Notes: 1. CF8M is ASTM A351 Grade CF8M annealed. 316 SS is AISI Type 316 SS annealed.
2. These parts are keyed to the assembly part number. "Seat insert/seal" code numbers indicated.

SERIES DT GATE VALVES – ASME CLASSES 600, 900, AND 1500
 2-1/2" (65 mm) Full Port NACE Compliant



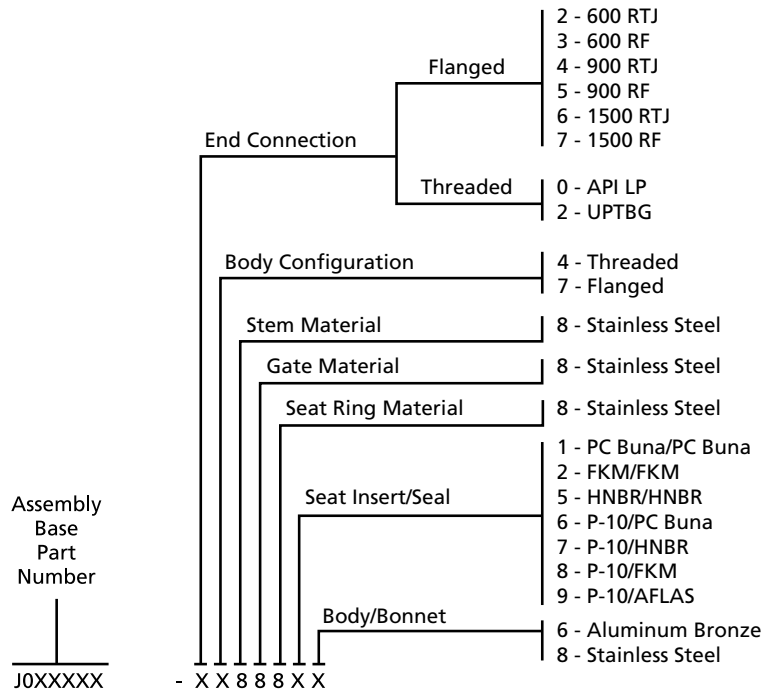
Dimensional Data and Weights

Dimension	Valve Size: 2-1/2" (65 mm) FP		
	ASME Class 600	ASME Class 900	ASME Class 1500
A Threaded	-	8.75 (222)	8.75 (222)
Flanged – RF	13.00 (330)	16.50 (419)	16.50 (419)
Flanged – RTJ	13.12 (333)	16.62 (422)	16.62 (422)
B (Open) - Bronze	18.18 (462)	18.18 (462)	18.18 (462)
- Stainless Steel	18.18 (462)	19.42 (493)	19.42 (493)
C (Seat Bore)	2.56 (65)	2.56 (65)	2.56 (65)
D	14.75 (375)	14.75 (375)	14.75 (375)
E	6.12 (155)	6.38 (162)	6.38 (162)
F Flange OD	7.50 (191)	9.62 (244)	9.62 (244)
Flange Bolts (Qty., Size: in.)	8 – 3/4	8 – 1	8 – 1
Ring Number (RTJ)	R-26	R-27	R-27
Weight lb (kg)			
Threaded	-	57 (26)	57 (26)
Flanged	77 (35)	110 (50)	110 (50)

Working Pressure (psi)

End Connection	Material	ASME Class 600	ASME Class 900	ASME Class 1500
Threaded	Bronze	-	2220	3705
	Stainless Steel	-	2220	3705
Flanged	Bronze	1480	2220	3705
	Stainless Steel	1440	2160	3600

ASSEMBLY PART NUMBER



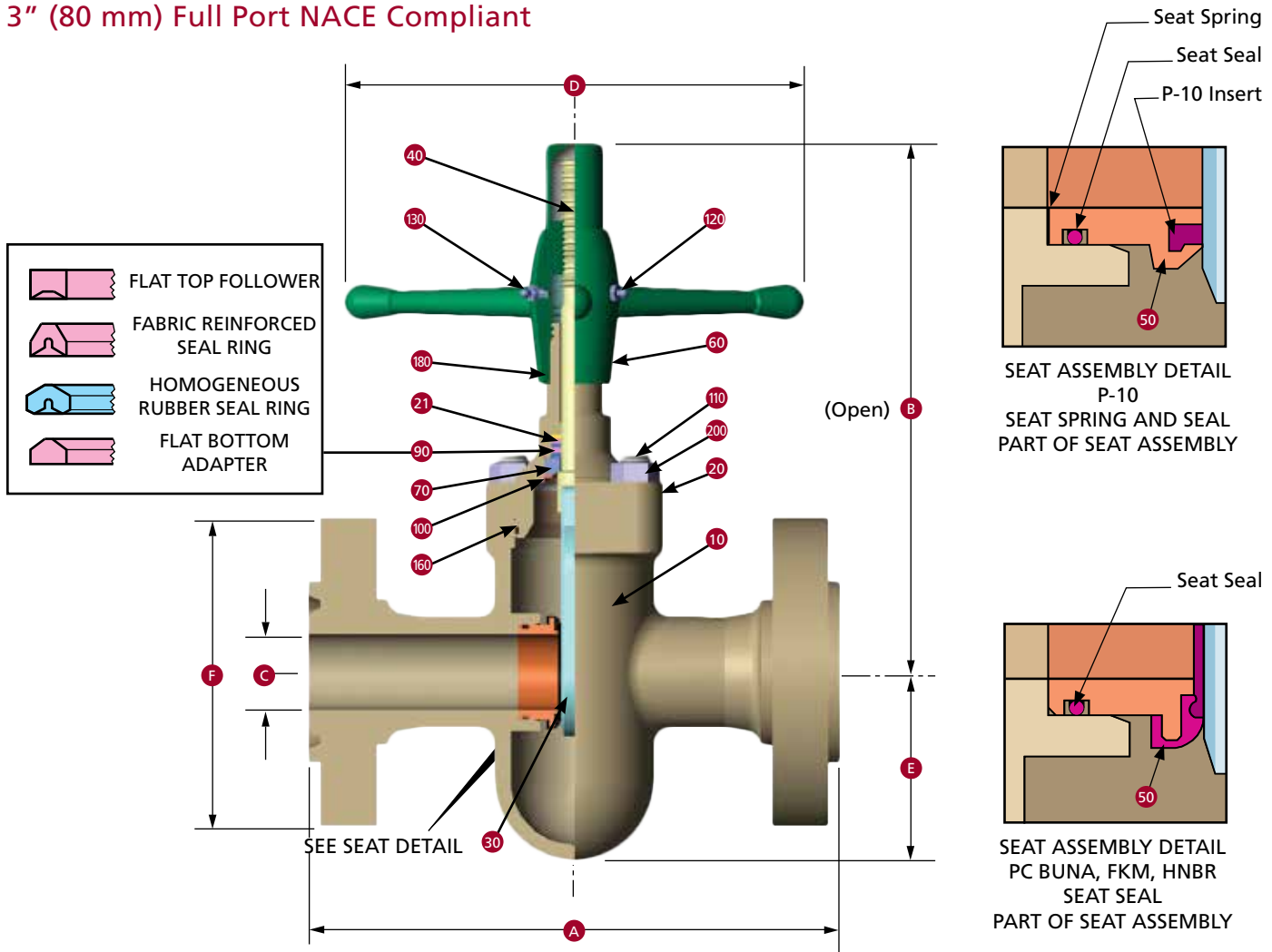
Parts List

Key No.	Qty.	Description	Valve Size: 2-1/2" (65 mm) FP		Material Specification (See Note 1)
			ASME Class 600	ASME Class 900/ 1500	
		Assembly Base Part Number	J025000	J025001/J025002	
10	1	Body	Consult Cameron for Body Part Numbers		Aluminum Bronze ASTM B148 Alloy 955 Stainless Steel CF8M
20	1	Bonnet	Aluminum Bronze Stainless Steel	2139015-11 2139020-11 2139015-12 2061920-01	Aluminum Bronze ASTM B148 Alloy 955 Stainless Steel CF8M
21	1	Stem Bushing (f/SS Bonnet)		J024676-060	Bronze ASTM B150 Alloy C63000
30	1	Gate (See Note 2)	1, 2, 5 6, 7, 8, 9	2060265-01 2060266-01	Stainless Steel CF8M
40	1	Stem	f/ Aluminum Bronze Valve f/ Stainless Steel Valve	2060256-02 2061921-01	316 SS
50	2	Seat Assembly (See Note 2)	1 2 5 6 7 8 9	2061588-02 2061589-02 Consult Cameron for Seat Assembly Part Numbers 2061590-02 Consult Cameron for Seat Assembly Part Numbers Consult Cameron for Seat Assembly Part Numbers Consult Cameron for Seat Assembly Part Numbers	Ring: CF8M; Elastomer: Buna-N, Peroxide-Cured Ring: CF8M; Elastomer: FKM Ring: CF8M; Elastomer: HNBR Ring: CF8M; Insert: PEEK; Seal: Buna-N Spring: INCONEL X-750 Ring: CF8M; Insert: PEEK; Seal: HNBR Spring: INCONEL X-750 Ring: CF8M; Insert: PEEK; Seal: FKM Spring: INCONEL X-750 Ring: CF8M; Insert: PEEK; Seal: AFLAS Spring: INCONEL X-750
60	1	Handle		2227862-01	Ductile Iron ASTM A536 Grade 65-45-12
70	1	Stem Packing Retainer		2060259-08	316 SS
90	1	Stem Seal Assembly		J024882-603	Teflon/Elgiloy
100	1	Retainer Snap Ring		J090066-162	PH 15-7 Mo
110	4	Stud	219066-07-02-21	219066-09-03-21	ASTM A193 B7M/Zinc-Plated
120	1	Lube Fitting		005929-18	Steel
130	1	Vent Fitting		2726258-01	Steel
160	1	Bonnet Seal (See Note 2)	1, 6 2, 8 5, 7 9	J005520-239 J005521-239 2712425-08 2788035-08 J005526-221	Buna-N FKM HNBR AFLAS Buna-N
180	1	Handle Seal		J005526-221	Buna-N
200	4	Nut	2709000-07-11	2709000-09-11	ASTM A194 2HM/Zinc-Plated

Notes: 1. CF8M is ASTM A351 Grade CF8M annealed. 316 SS is AISI Type 316 SS annealed.
2. These parts are keyed to the assembly part number. "Seat insert/seal" code numbers indicated.

SERIES DT GATE VALVES – ASME CLASSES 600, 900, AND 1500

3" (80 mm) Full Port NACE Compliant



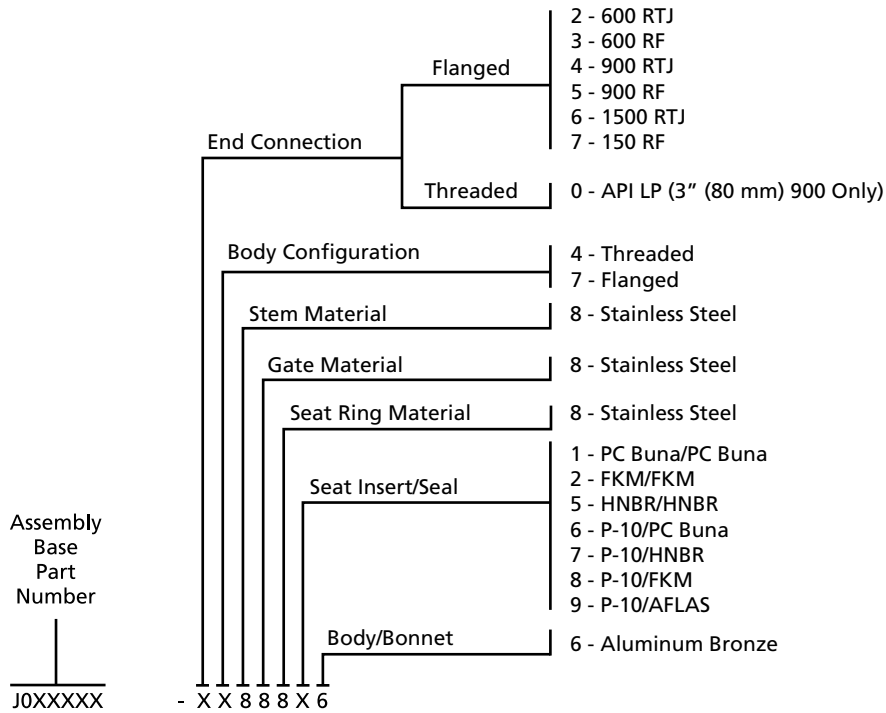
Dimensional Data and Weights

Dimension	Valve Size: 3" (80 mm) FP		
	ASME Class 600	ASME Class 900	ASME Class 1500
A	Threaded -	9.69 (246)	-
	Flanged – RF	15.00 (381)	18.50 (470)
	Flanged – RTJ	14.12 (359)	18.62 (373)
B	(Open)	19.50 (495)	20.31 (516)
C	(Seat Bore)	3.12 (79)	3.12 (79)
D		14.75 (375)	18.00 (457)
E		6.81 (173)	7.15 (182)
F	Flange OD	8.25 (210)	10.50 (267)
	Flange Bolts (Qty., Size: in.)	8 – 3/4	8 – 7/8
	Ring Number (RTJ)	R-31	R-35
Weight lb (kg)			
	Threaded	75 (34)	-
	Flanged	100 (45)	185 (84)

Working Pressure (psi)

End Connection	Material	ASME Class 600	ASME Class 900	ASME Class 1500
Threaded	Bronze	-	2220	-
Flanged	Bronze	1480	2220	3705

ASSEMBLY PART NUMBER



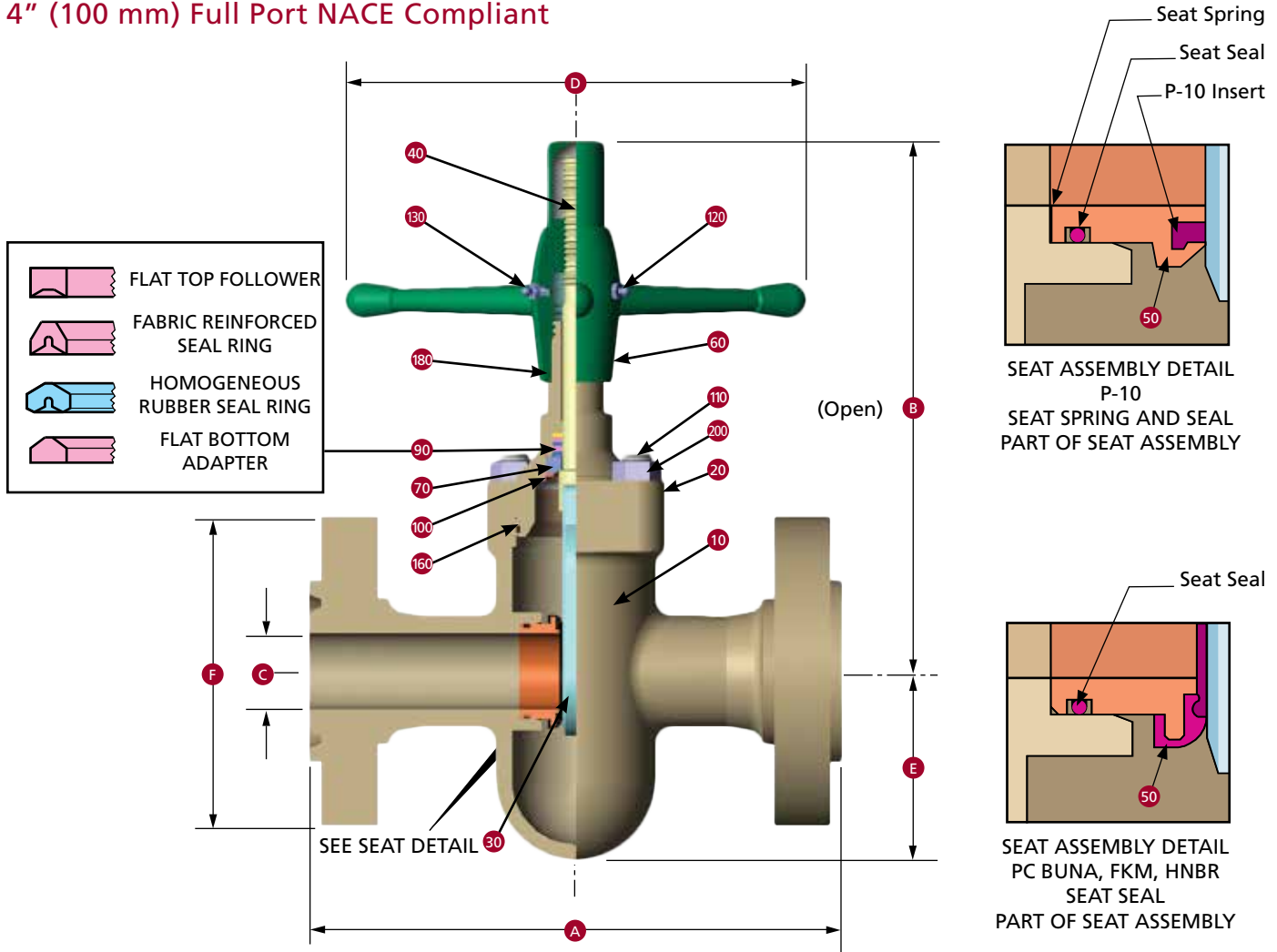
Parts List

Key No.	Qty.	Description	Valve Size: 3" (80 mm) FP			Material Specification (See Note 1)
			ASME Class 600	ASME Class 900	ASME Class 1500	
		Assembly Base Part Number	J025003	J025004	J025005	
10	1	Body	Consult Cameron for Body Part Numbers			Aluminum Bronze ASTM B148 Alloy 955
20	1	Bonnet	J024624-006		J024642-006	Aluminum Bronze ASTM B148 Alloy 955
30	1	Gate (See Note 2)		J024621-008 J024623-008		Stainless Steel CF8M
40	1	Stem		J024620-008	J024820-008	316 SS
50	2	Seat Assembly (See Note 2)		2061588-03 2061589-03		Ring: CF8M; Elastomer: Buna-N Ring: CF8M; Elastomer: FKM
				Consult Cameron for Seat Assembly Part Numbers		Ring: CF8M; Elastomer: HBNR
				2061590-03		Ring: CF8M; Insert: PEEK; Seal: Buna-N Spring: INCONEL X-750
				Consult Cameron for Seat Assembly Part Numbers		Ring: CF8M; Insert: PEEK; Seal: HPNR Spring: INCONEL X-750
				Consult Cameron for Seat Assembly Part Numbers		Ring: CF8M; Insert: PEEK; Seal: FKM Spring: INCONEL X-750
				Consult Cameron for Seat Assembly Part Numbers		Ring: CF8M; Insert: PEEK; Seal: AFLAS Spring: INCONEL X-750
60	1	Handle	2139931-01		2139932-01	Ductile Iron ASTM A536 Grade 65-45-12
70	1	Stem Packing Retainer		2060259-08		316 SS
90	1	Stem Seal Assembly		J024882-603		Filled PTFE/Elgiloy
100	1	Retainer Snap Ring		J090066-162		PH 15-7 Mo
110	4	Stud	219066-09-03-21		219066-10-03-61	ATM A193 B7M/Zinc-Plated
120	1	Lube Fitting		005929-18		Steel
130	1	Relief Fitting		2726258-01		Steel
160	1	Bonnet Seal (See Note 2)		J005520-244 J005521-244		Buna-N FKM
				Consult Cameron for Bonnet Seal Part Numbers		HBNR
				2788035-07		AFLAS
180	1	Handle Seal		J005526-221		Buna-N
200	4	Nut	2709000-09-11		2709000-10-11	ASTM A194 2HM/Zinc-Plated

- Notes: 1. CF8M is ASTM A351 Grade CF8M annealed. 316 SS is AISI Type 316 SS annealed.
2. These parts are keyed to the assembly part number. "Seat insert/seal" code numbers indicated.

SERIES DT GATE VALVES – ASME CLASSES 600, 900, AND 1500

4" (100 mm) Full Port NACE Compliant



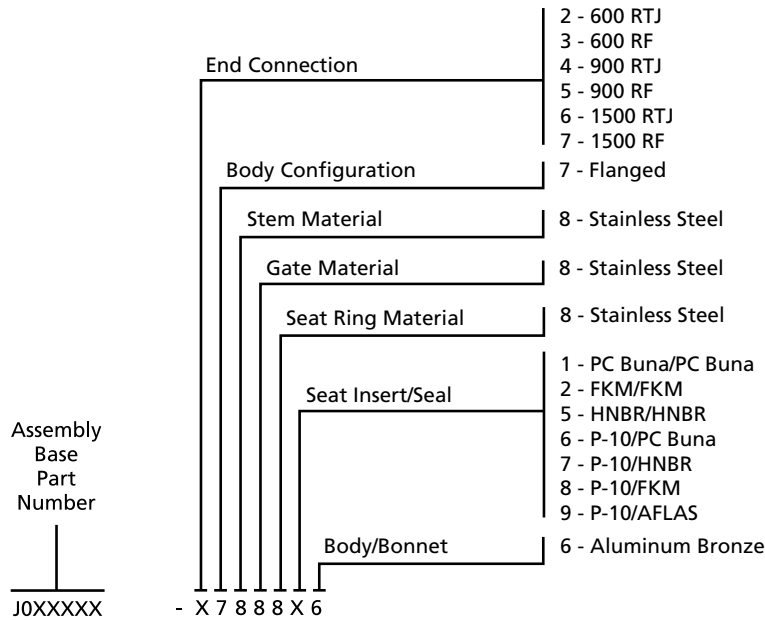
Dimensional Data and Weights

Dimension	Valve Size: 4" (100 mm) FP		
	ASME Class 600	ASME Class 900	ASME Class 1500
A Flanged – RF	17.00 (432)	18.00 (457)	21.50 (546)
Flanged – RTJ	17.12 (435)	18.12 (460)	21.62 (549)
B (Open)	24.08 (612)	24.08 (612)	24.38 (619)
C (Seat Bore)	4.06 (103)	4.06 (103)	4.06 (103)
D	23.00 (584)	23.00 (584)	23.00 (584)
E	9.00 (229)	9.12 (232)	9.41 (239)
F Flange OD	10.75 (273)	11.50 (292)	12.25 (311)
Flange Bolts (Qty., Size: in.)	8 – 7/8	8 – 1-1/8	8 – 1-1/4
Ring Number (RTJ)	R-37	R-37	R-39
Weight lb (kg)			
Flanged	170 (77)	215 (98)	295 (134)

Working Pressure (psi)

End Connection	Material	ASME Class 600	ASME Class 900	ASME Class 1500
Flanged	Bronze	1480	2220	3705

ASSEMBLY PART NUMBER



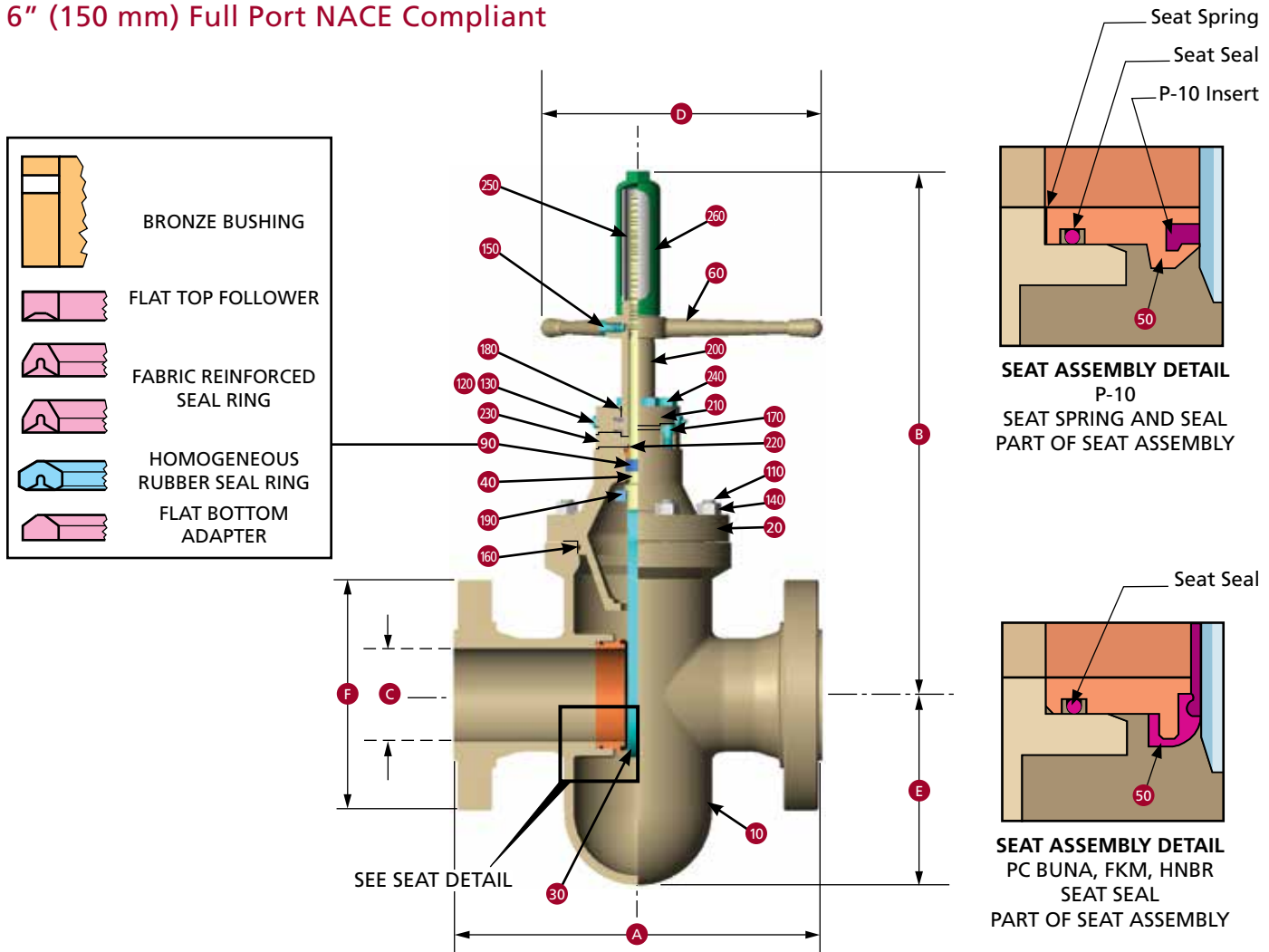
Parts List

Key No.	Qty.	Description	Valve Size: 4" (100 mm) FP			Material Specification (See Note 1)
			ASME Class 600	ASME Class 900	ASME Class 1500	
		Assembly Base Part Number	J025006	J025007	J025008	
10	1	Body - 4"	Consult Cameron for Body Part Numbers			Aluminum Bronze ASTM B148 Alloy 955
20	1	Bonnet	J024711-006	J024712-006	J024713-006	Aluminum Bronze ASTM B148 Alloy 955
30	1	Gate (See Note 2)	J024719-008 6, 7, 8, 9	J024721-008 J024720-008	J024721-008 J024722-008	Stainless Steel CF8M
40	1	Stem	J024717-008	J024717-008	J024718-008	316 SS - 600 and 900 Only; XM-19 1500 Only
50	2	Seat Assembly (See Note 2)	1 2 5 6 7 8 9	2061588-04 2061589-04 Consult Cameron for Seat Assembly Part Numbers 2061590-04 Consult Cameron for Seat Assembly Part Numbers Consult Cameron for Seat Assembly Part Numbers Consult Cameron for Seat Assembly Part Numbers		Ring: CF8M; Elastomer: Buna-N Ring: CF8M; Elastomer: FKM Ring: CF8M; Elastomer: HNBR Ring: CF8M; Insert: PEEK; Seal: Buna-N Spring: INCONEL X-750 Ring: CF8M; Insert: PEEK; Seal: HNBR Spring: INCONEL X-750 Ring: CF8M; Insert: PEEK; Seal: FKM Spring: INCONEL X-750 Ring: CF8M; Insert: PEEK; Seal: AFLAS Spring: INCONEL X-750
60	1	Handle		2139933-01		Ductile Iron ASTM A536 Grade 65-45-12
70	1	Stem Packing Retainer		J024716-008		316 SS
90	1	Stem Seal Assembly		J024882-604		Teflon/Elgiloy
100	1	Retainer Snap Ring		J090066-175		PH 15-7 Mo
110	4	Stud	219066-08-02-61	219066-09-03-21	219066-11-04-21	ASTM A193 B7M/Zinc-Plated
120	1	Lube Fitting		005929-18		Steel
130	1	Relief Fitting		2726258-01		Steel
160	1	Bonnet Seal (See Note 2)	1, 6 2, 8 5, 7 9	J005520-254 J005521-254 Consult Cameron for Bonnet Seal Part Numbers 2788035-10		Buna-N FKM HNBR AFLAS
180	1	Handle Seal		J005526-223		Buna-N
200	4	Nut	2709000-08-11	2709000-09-11	2709000-11-11	ASTM A194 2HM/Zinc-Plated

Notes: 1. CF8M is ASTM A351 Grade CF8M annealed. 316 SS is AISI Type 316 SS annealed.
2. These parts are keyed to the assembly part number. "Seat insert/seal" code numbers indicated.

SERIES DT GATE VALVES – ASME CLASS 900

6" (150 mm) Full Port NACE Compliant



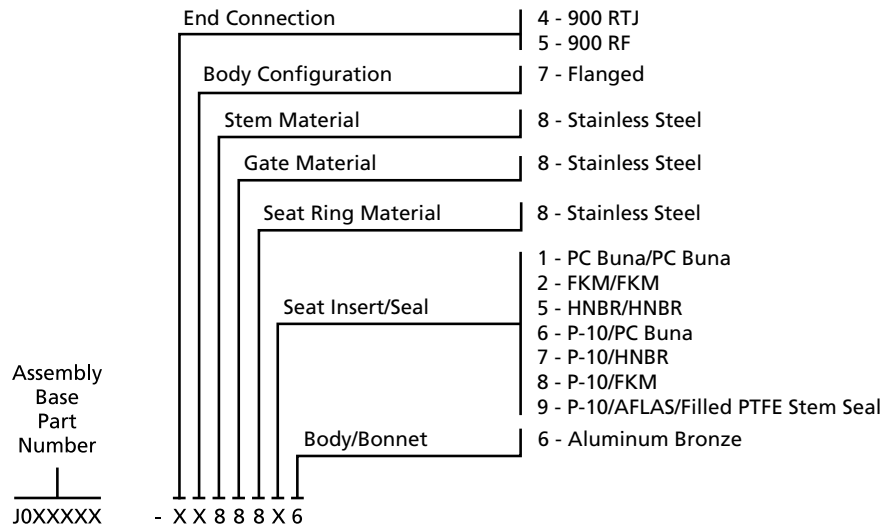
Dimensional Data and Weights

Dimension	Valve Size: 6" (150 mm) FP ASME Class 900
A Flanged – RF	24.00 (610)
Flanged – RTJ	24.12 (613)
B (Open)	33.85 (860)
C (Seat Bore)	6.06 (154)
D	24.00 (610)
E	12.38 (314)
F Flange OD	15.00 (381)
Flange Bolts (Qty., Size: in.)	12 – 1-1/8
Ring Number (RTJ)	R-45
Weight lb (kg)	
Flanged	Consult Cameron

Working Pressure (psi)

End Connection	Material	ASME Class 900
Flanged	Bronze	2220

ASSEMBLY PART NUMBER



Parts List

Key No.	Qty.	Description	Valve Size: 6" (150 mm) FP		
			ASME Class 900	Material Specification (See Note 1)	
		Assembly Base Part Number	J025150		
10	1	Body	6" (150 mm) RF – AL BRZ RTJ – AL BRZ	2227657-00-56 2227657-00-46	Aluminum Bronze ASTM B148 Alloy 955
20	1	Bonnet	AL BRZ	2227661-06	Aluminum Bronze ASTM B148 Alloy 955
30	1	Gate	1, 2, 5 (See Note 2) 6, 7, 8, 9	2227658-08 2227964-08	Stainless Steel CF8M
40	1	Stem		2227666-08	316 SS
50	2	Seat Assembly (See Note 2)	1 2 5 6 7 8 9	2061588-06 2061589-06 Consult Cameron for Part Number 2061590-06 Consult Cameron for Part Number Consult Cameron for Part Number Consult Cameron for Part Number	Ring: CF8M; Elastomer: Buna-N Ring: CF8M; Elastomer: FKM Ring: CF8M; Elastomer: HNB Ring: CF8M; Insert: PEEK; Seal: Buna-N Spring: INCONEL X-750 Ring: CF8M; Insert: PEEK; Seal: HNBR; Spring: INCONEL X-750 Ring: CF8M; Insert: PEEK; Seal: FKM; Spring: INCONEL X-750 Ring: CF8M; Insert: PEEK; Seal: AFLAS; Spring: INCONEL X-750
60	1	Handle		2227656-01	Ductile Iron ASTM A536 Grade 65-45-12
90	1	Stem Seal Assembly (See Note 2)	1, 6 2, 8 5, 7 9	J021706-001 J015853-006 J015853-008 Consult Cameron for Part Number	Buna-N FKM HNBR PTFE
110	8	Stud		2119066-09-04-21	ASTM A193 B7M/Zinc-Plated
120	1	Lube Fitting		005929-18	Steel
130	1	Relief Fitting		J051971	Steel
140	8	Nut		2709000-09-11	ASTM A194 2HM/Zinc-Plated
150	1	Screw – Handle		J014832	Steel AISI C1018
160	1	Body Seal (See Note 2)	1, 6 2, 8 5, 7 9	J005520-367 J005521-367 2738507-15 2788035-11	Buna-N FKM HNBR AFLAS
170	4	Screw – Retainer		702589-14-00-16	Alloy Steel
180	1	Stem Screw Seal		J005526-228	Buna-N on 900
190	1	Downstop Ring		J015848	316 SS
200	1	Stem Screw with Bearings		J023888	Stem Screw with Steel AISI C1018 Bearings: Hardened Steel Needle Thrust Bearings
210	1	Housing		J015332	Steel AISI C1018
220	1	Secondary Seal (See Note 2)	1, 6 2, 8 5, 7, 9	J005526-216 J005531-216 2738507-09	Buna-N FKM HNBR
230	1	Retainer		J015330-101	Steel AISI C1018
240	4	Screw – Housing		J056511-32056	ASTM A193 B7M/Zinc-Plated
250	1	Tube		J019160	Clear Acrylic
260	1	Stem Cap		J019161	Ductile Iron ASTM A536 Grade 65-45-12

Notes: 1. CF8M is ASTM A351 Grade CF8M annealed. XM-19 is ASTM A479 Type XM-19 hot rolled.
2. These parts are keyed to the assembly part number. "Seat insert/seal" code numbers indicated.

Services for Valves and Actuation

WE BUILD IT. WE BACK IT.

Startup and Commissioning

Our experts understand that each project is unique. That's why Cameron's services help facilitate commissioning and start-up activities.

- Integrated solutions, onsite or at our global service centers
- Increased equipment and product performance
- The shortest possible trouble-free startup for your critical assets



Spare Parts and Asset Management

Cameron offers the assets and expertise to cover all aspects of valve management.

- Full inventory of quality exact OEM parts and spares
- Complete asset risk and criticality assessments
- Comprehensive inventory of your assets, including a complete recommended spare valves and parts list



Operational Support

Cameron's ability to address valve requirements in the field is a reflection of our commitment to life-of-asset support.

- Innovative asset management solutions
- Trouble-free installation, startup and operations
- Support from commission to operation – extending through all phases of a valve's life cycle
- Extensive inventory of spare valves and parts

Cameron's site management team helps mitigate the risk of project delays by identifying issues in the construction process prior to valve installation to ensure valve integrity.



Trademark Information

DEMCO is a registered trademark of Cameron.

This document contains references to registered trademarks or product designations, which are not owned by Cameron.

Trademark	Owner
ENDURO-BOND	Energy & Environmental Services, Inc.
TEFLON	E.I. DuPont De Nemours & Company

CERTIFICATIONS



American Bureau of Shipping



WARNING: Failure to comply with Cameron operations and maintenance manuals, safety alerts, engineering bulletins and other documentation and failure to use OEM parts can adversely affect performance and can cause serious injury or death and property damage.

3250 Briarpark Drive, Suite 300

Houston, TX 77042

USA

Toll Free 1 800 323 9160

Learn more about DEMCO gate valves:

www.c-a-m.com/DEMCO

DEMCO@c-a-m.com



HSE Policy Statement

At Cameron, we are committed ethically, financially and personally to a working environment where no one gets hurt and nothing gets harmed.