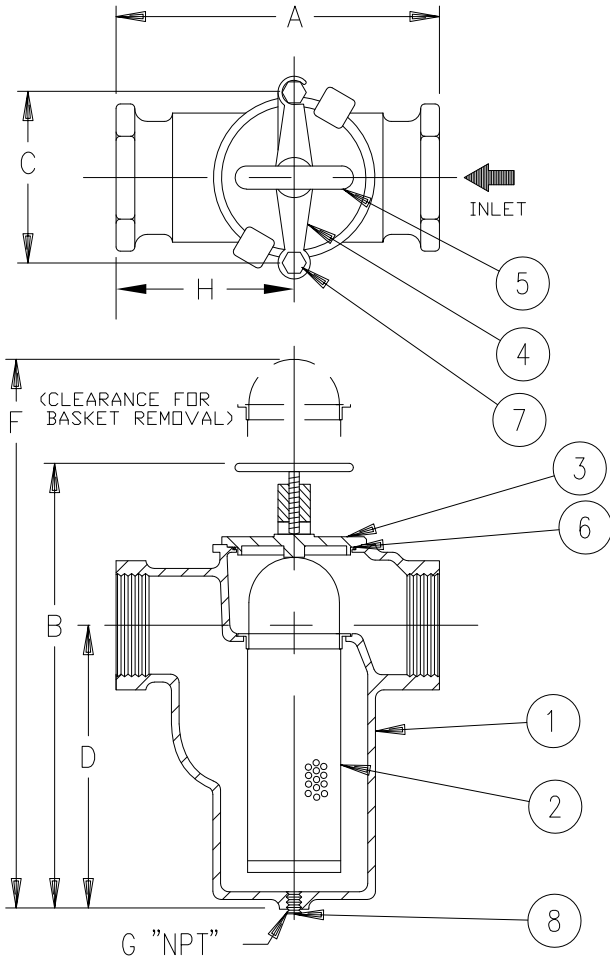


REVISIONS				
REV	DESCRIPTION	BY	ECO	DATE
G	UPDATED TITLE BLOCK	R. DHONDE	0106104	12/25/2014




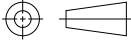
NO.	PART NAME	MATERIAL
1	BODY	CAST IRON ASTM A126 CL B
2	SCREEN	
	PERF. DIA. MESH	
3	COVER	CAST IRON ASTM A126 CL B
4	YOKE	DUCTILE IRON
5	YOKE SCREW	STEEL
6	O-RING	BUNA-N
7	STUD	STEEL
8	PIPE PLUG	CAST IRON

NOTES:

1. INLET/OUTLET "NPT" THREADED CONNECTIONS PER ASME B1.20.1.
2. MAX. WORKING PRESSURE: 200 PSI @ 100° F
(13.8 BAR @ 37.8° C)
3. 1/2" STRAINER WITH REDUCER BUSHING.

PIPE SIZE (NOMINAL)	DIMENSIONS								WEIGHT (DRY)		PART NO.						
	A		B		C		D		F			G (NOM.)		H		LBS.	KGS.
	IN.	MM.	IN.	MM.	IN.	MM.	IN.	MM.	IN.	MM.	IN.	MM.	IN.	MM.			
*3/8" (10mm)	4.75	121	6.63	168	2.88	73	4.00	102	11	279	3/8	(10)	2.50	(64)	4	1.8	ST0720037T4C
1/2" (15mm)	4.00	102	6.63	168	2.88	73	4.00	102	11	279	3/8	(10)	2.18	(54)	4	1.8	ST0720050T4C
3/4" (20mm)	5.38	137	8.38	213	4.00	102	5.00	127	13	330	1/2	(15)	3.13	(80)	7	3.2	ST0720075T4C
1" (25mm)	5.38	137	8.38	213	4.00	102	5.00	127	13	330	1/2	(15)	3.13	(80)	7	3.2	ST0720100T4C
1-1/4" (32mm)	6.75	172	9.88	251	4.88	124	5.88	149	14	356	1/2	(15)	3.75	(95)	12	5.5	ST0720125T4C
1-1/2" (40mm)	7.38	187	11.00	279	4.88	124	7.00	178	16	406	3/4	(20)	4.17	(106)	15	6.8	ST0720150T4C
2" (50mm)	8.75	222	13.38	340	6.75	172	7.63	194	21	533	1-1/4	(32)	5.13	(130)	28	12.7	ST0720200T4C
2-1/2" (65mm)	10.50	267	14.88	378	8.00	203	8.88	226	26	660	1-1/2	(40)	6.19	(157)	42	19.1	ST0720250T4C
3" (80mm)	11.63	295	17.75	451	8.00	203	11.50	292	28	711	1-1/2	(40)	6.75	(171)	52	23.6	ST0720300T4C

* - SEE NOTE 3

DRAWN BY VAA		 HYDRAULICS GROUP FILTRATION DIVISION GALESBURG, MICHIGAN, USA • TINTON FALLS, NEW JERSEY, USA			
SCALE AS DRAWN					
RESTRICTION RESTRICTED		TITLE MODEL 72 SIMPLEX STRAINER NPT THREADED CONNECTIONS SIZES 3/8" THRU 3" CAST IRON			
SHEET 1 OF 1		DATE 08/21/91	SIZE A	DWG FILENAME SD072014	REV G
PROJECTION THIRD ANGLE 		EATON CORPORATION - CONFIDENTIAL AND PROPRIETARY NOTICE TO PERSONS RECEIVING THIS DRAWING AND/OR TECHNICAL INFORMATION THIS DOCUMENT, INCLUDING THE DRAWING AND INFORMATION CONTAINED THEREON IS CONFIDENTIAL AND IS THE EXCLUSIVE PROPERTY OF EATON AT ANY TIME. BY TAKING THE POSSESSION OF THIS DOCUMENT THE RECIPIENT ACKNOWLEDGES AND AGREES THAT THIS DOCUMENT CANNOT BE USED IN ANY MANNER ADVERSE TO THE INTEREST OF EATON AND THAT NO PORTION OF THIS DRAWING MAY BE COPIED OR OTHERWISE REPRODUCED WITHOUT THE PRIOR WRITTEN CONSENT OF EATON, IN THE CASE OF CONFLICTING CONTRACTUAL PROVISIONS, THIS NOTICE SHALL GOVERN THE STATUS OF THIS DOCUMENT. 2015 EATON CORPORATION - ALL RIGHTS RESERVED.			
CUSTOMER INFO		PART NO. SEE TABLE			
NAME					
P.O. NO.					
TAG NO.					
S.O. NO.					