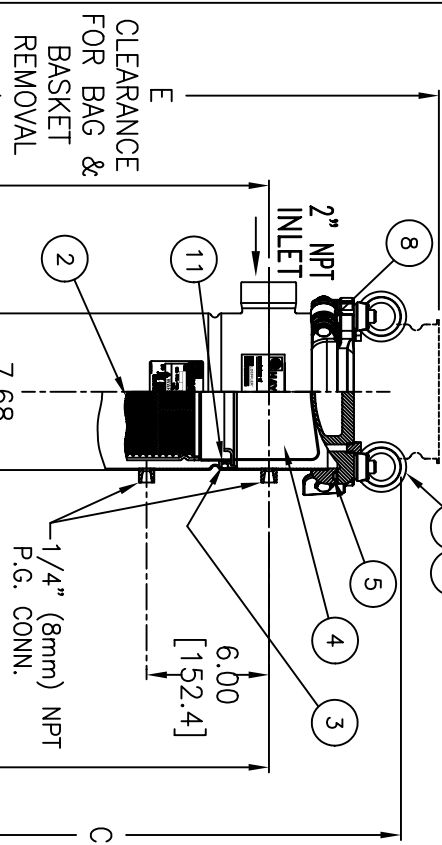
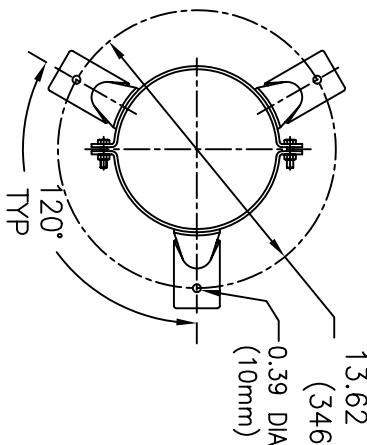
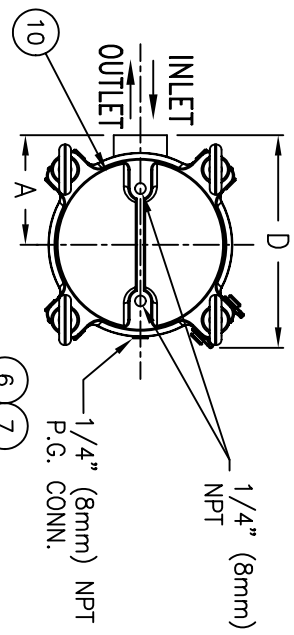


PART NUMBER	VESSEL CODE	BAG SIZE	A IN. / MM	B IN. / MM	C IN. / MM	D IN. / MM	E IN. / MM	F IN. / MM	G IN. / MM	FLOW RATE (GPM) (MAX)	WEIGHT (LBS / KGS)
F3AVFB00208	FBF-0101-CS10-020N-L	01	5.37 / 136	19.64 / 499	26.13 / 663	10.42 / 265	36.80 / 935	24.40 / 620	12.88 / 327	90	30 / 13.6
F3AVFB00209	FBF-0102-CS10-020N-L	02	5.37 / 136	35.19 / 894	41.68 / 1059	10.42 / 265	67.75 / 1708	24.40 / 620	28.43 / 722	180	43 / 19.5



### MOUNTING DETAIL

NO.	PART NAME	MATERIAL
1	BODY	CARBON STEEL
2	RESTRAINER BASKET	316 STAINLESS STEEL
3	ADAPTOR O-RING	BUNA-N
4	BAG HOLD DOWN	316 STAINLESS STEEL
5	O-RING	BUNA-N
6	EYE BOLT	STEEL, ZINC PLATED
7	EYE NUT	STEEL, ZINC PLATED
8	PIN	STAINLESS STEEL
9	LEGS	STAINLESS STEEL
10	COVER	CARBON STEEL
11	ADAPTOR PLATE	316 STAINLESS STEEL

#### NOTES:

1. INLET/OUTLET "NPT" THREADED CONNECTIONS PER ANSI B1.20.1.
2. MAWP: 150 PSI @ 250° F (10.3 BAR @ 121.1° C)  
MDMT: -20° F @ 150 PSI (-28.9° C @ 10.3 BAR)
3. MAXIMUM OPERATING TEMP. 400° F (204.4° C) WITH VITON O-RING.
4. PAINT C/STL. PER HAYWARD STANDARD ES-301.

CERTIFIED FOR:  
P.O. NO.:  
REG. NO.:  
QUOTE NO.:  
TAG NO.:  
FILTER BAG:

**EATON**

**EATON FILTRATION, LLC**  
900 FAIRMOUNT AVENUE, ELIZABETH, NEW JERSEY 07207

NAME: FLOWLINE (FBF) FILTER VESSEL  
2" NPT THREADED CONNECTION  
CARBON STEEL

UNAUTHORIZED USE, MANUFACTURE OR REPRODUCTION IN WHOLE OR IN PART IS PROHIBITED. DRAWING, DESIGN AND OTHER DISCLOSURES PROPERTY OF EATON FILTRATION, LLC

ELECTRONIC FILE NAME: FBF11XC-DPSSO.DWG  
REF. ECR D626 DATE 12/15/05

SIZE	DWG NO	DATE	REV
A	FJM	7/17/02	D
FBF11XC-DPSSO		7/17/02	