

Stacked Disc Cartridge Housing BECO INTEGRA® DISC MB Range

Enclosed Stacked Disc Cartridge Housing in Food and Beverages Design

BECO INTEGRA DISC MB stacked disc cartridge housing is an enclosed depth filtration system for clarification and sterile filtration of liquids in the food and beverage industries.

Special Features

- Easy handling and good cleanability thanks to ergonomic design
- High chemical resistance due to the use of quality stainless steel materials, AISI 316L
- Quick and simple replacement of the empty stacked disc cartridges
- Low capital costs with relatively large filter areas and simple integration into existing processes
- Variable application options using different stacked disc cartridges with flat adapter or double O-ring adapter. Variable column heights allow for adaptable filter area
- Small footprint due to compact design and thus easy integration into existing filtration processes
- ATEX certified

Customized housings or additional components allow for system expansion or complete systems according to customer specifications.



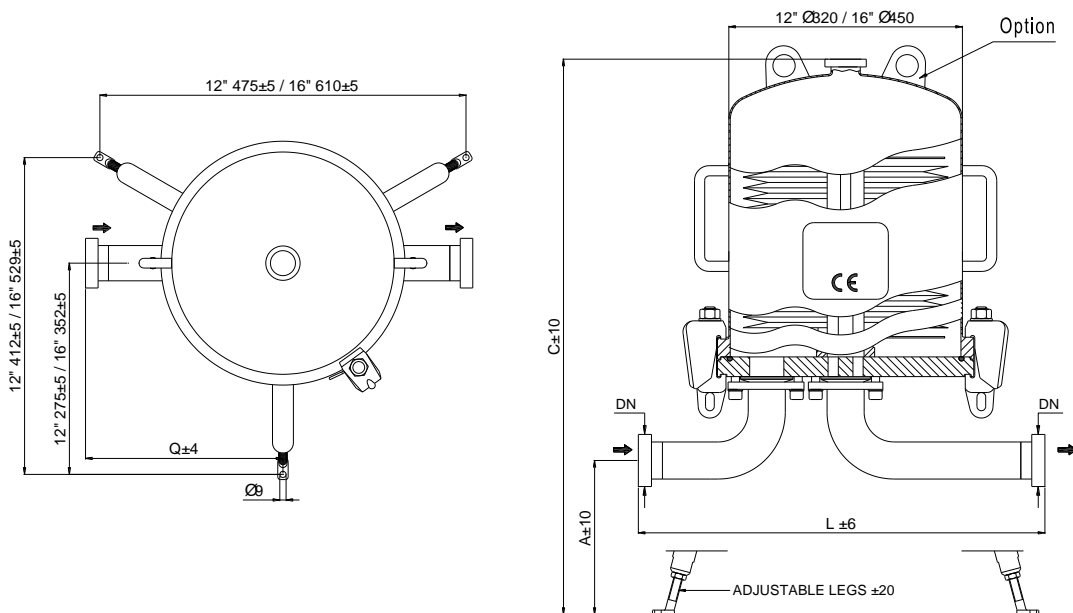
Technical Data

Operating pressure / temperature liquids/gases:	max. 116 psi (800 kPa/8 bar)
Product contacting parts:	Stainless steel AISI 316L
Other Parts:	Stainless steel AISI 304
Fluid group:	2
Design:	EN 13445
Acceptance:	DGRL 2014/68/EU
ATEX classification:	II 2 GD IIC

Gaskets/O-rings:	Silicone (EPDM, Viton available upon request)
Housing closure:	Clamp screws 12": 5 screws / 16": 8 screws
Filter inlet/outlet:	DN 50, DIN 11851 (2") (alternatives as TC or flange upon request)
Vent connection:	TC 1,5" (ASME BPE)
Drain connection:	None (available upon request)
Fittings:	Vent and drain units available upon request

Type	Filter area*	Number and size of stacked disc cartridges	Dimensions	Vessel capacity	Article no.	Weight
	ft ² (m ²)		A x B x C			gal (l)
			in (mm)			
12"/1F	20.45 (1,9)	1 x 12"	13.6 x 14.6 x 12.4 x 22.6 345 x 970 x 315 x 575	8.45 (32)	MB120850	97 (44)
12"/2F	40.90 (3,8)	2 x 12"	13.6 x 48.8 x 12.4 x 22.6 345 x 1240 x 315 x 575	14.00 (53)	MB220850	111 (50)
12"/3F	61.35 (5,7)	3 x 12"	13.6 x 59.9 x 12.4 x 22.6 345 x 1520 x 315 x 575	19.55 (74)	MB320850	128 (58)
12"/4F	81.81 (7,6)	4 x 12"	13.6 x 71.7 x 12.4 x 22.6 345 x 1820 x 315 x 575	25.36 (96)	MB420850	139 (63)
16"/1F	39.83 (3,7)	1 x 16"	13.6 x 38.6 x 14.0 x 26.6 345 x 980 x 355 x 675	16.64 (63)	MB140850	166 (75)
16"/2F	79.65 (7,4)	2 x 16"	13.6 x 49.2 x 14.0 x 26.6 345 x 1250 x 355 x 675	27.74 (105)	MB240850	190 (86)
16"/3F	119.48 (11,1)	3 x 16"	13.6 x 61.0 x 14.0 x 26.6 345 x 1550 x 355 x 675	38.83 (147)	MB340850	219 (99)
16"/4F	159.31 (14,8)	4 x 16"	13.6 x 72.8 x 14.0 x 26.6 345 x 1850 x 355 x 675	50.46 (191)	MB440850	245 (111)

* if stacked disc cartridges with 16 cells are used



North America
44 Apple Street
Tinton Falls, NJ 07724
Toll Free: 800 656-3344
(North America only)
Tel: +1 732 212-4700

Europe/Africa/Middle East
Auf der Heide 2
53947 Nettersheim, Germany
Tel: +49 2486 809-0

Friedensstraße 41
68804 Altlußheim, Germany
Tel: +49 6205 2094-0

An den Nahewiesen 24
55450 Langenlonsheim, Germany
Tel: +49 6704 204-0

China
No. 3, Lane 280,
Linhong Road
Changning District, 200335
Shanghai, P.R. China
Tel: +86 21 5200-0099

Singapore
100G Pasir Panjang Road #07-08
Singapore 118523
Tel: +65 6825-1668

Brazil
Rua Clark, 2061 - Macuco
13279-400 - Valinhos, Brazil
Tel: +55 11 3616-8400

**For more information, please
email us at filtration@eaton.com
or visit www.eaton.com/filtration**

EN
1 A 2.6.19.5
03-2018

© 2018 Eaton. All rights reserved. All trademarks and registered trademarks are the property of their respective owners. All information and recommendations appearing in this brochure concerning the use of products described herein are based on tests believed to be reliable. However, it is the user's responsibility to determine the suitability for his own use of such products. Since the actual use by others is beyond our control, no guarantee, expressed or implied, is made by Eaton as to the effects of such use or the results to be obtained. Eaton assumes no liability arising out of the use by others of such products. Nor is the information herein to be construed as absolutely complete, since additional information may be necessary or desirable when particular or exceptional conditions or circumstances exist or because of applicable laws or government regulations.



Powering Business Worldwide