

Filter Cartridge Housing BECO INTEGRA® CART KB Range

Eaton's BECO INTEGRA CART cartridge housings are manufactured of stainless steel AISI 316L and can be applied within the filtration of liquids in the food and beverage industry. This series is available as a 1-, 3-, 5-, 8-, 12-, 18-, 24- and 30-fold cartridges version for sterile filtration or prefiltration purposes.

Special Features

- The application of material AISI 316L avoids corrosion even at long term use
- High safety by application of code 7 adapters (double-leaf bayonet locking)
- The optimized design allows thorough and quick cleaning
- Low product loss thanks to compact design
- Resistant to hot water or steam sterilization

Application

All BECO INTEGRA CART cartridge housings (1 to 30-fold) are designed for the filtration of media of fluid groups 1 + 2 according to Pressure Equipment Directive PED 2014/68/EU. A variety of different housing heights between 10" and 20" or 30" and 40" allows a perfect adaptation of the housing size to product volume to be filtered. This reduces product loss to a minimum. An optimized filtrate chamber design and special filter surface finish provide very easy cleaning and sterilization.

The BECO INTEGRA CART cartridge housings are suitable for applications with Eaton's BECO® pre-filter cartridges and membrane filter cartridges.

Other variations and further components for expansion to complete systems are available on request and would be customized according to specification.

Technical Data

Max. permissible operating pressure:	Depending on housing size, see table
Max. permissible operating temperature:	Depending on housing size, see table



KB housing:
1 to 8 filter cartridges
(quick closure)

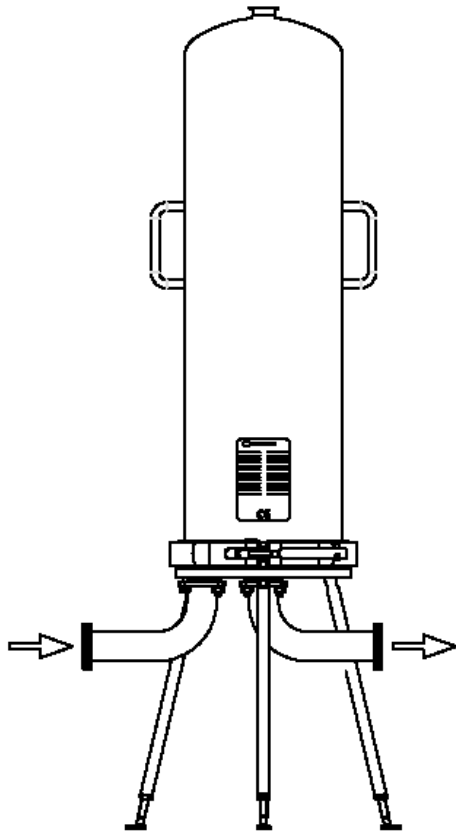
KB housing:
12 to 30 filter cartridges
(clamp screws)

Product contacting parts:	Stainless steel AISI 316L
Gaskets:	Silicone (or EPDM, Viton upon request)
Housing suitable for:	Media of fluid groups 1 + 2 according to PED 2014/68/EU
Housing connection:	Threaded nozzle acc. to DIN 11851 (others upon request)
Housing closure:	1 – 8 fold: quick closure 12 – 30 fold: clamp screws
Vent connection:	TC connection 1,5"
Drain:	None (available upon request)
Fittings:	Vent and drain units are available at special request.

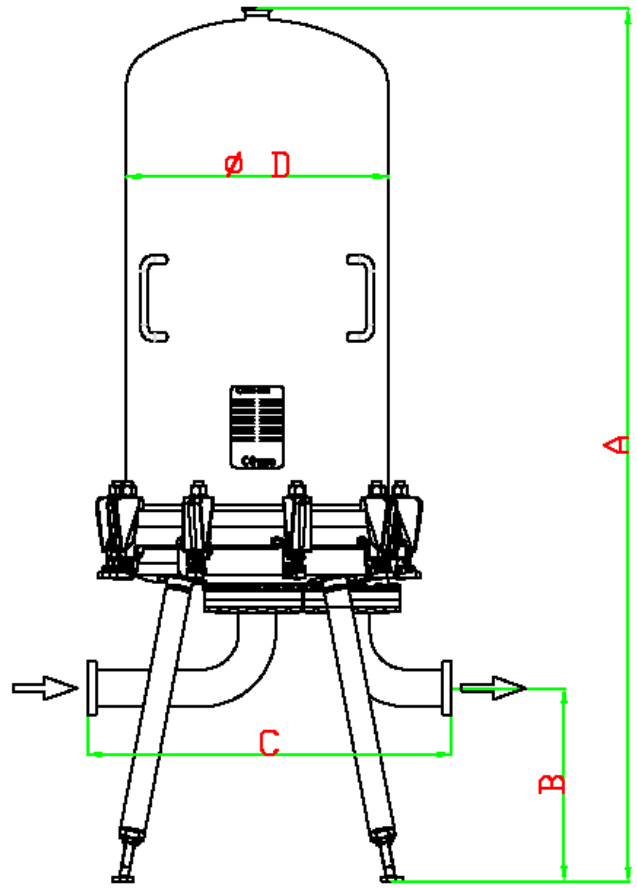
Article no.	Qty	Cartridge length	Dimensions inch (mm)				Connections DIN11851	Volume	Weight
			inch	A	B	C			
KB117X25	1	10	31.50 (800)	15.0 (381)	8.7 (221)	4.0 (102)	DN 25	0.79 (3.0)	15.4 (7.0)
KB127X25	1	20	41.34 (1,050)	15.0 (381)	8.7 (221)	4.0 (102)	DN 25	1.27 (4.8)	18.1 (8.2)
KB137X25	1	30	51.18 (1,300)	15.0 (381)	8.7 (221)	4.0 (102)	DN 25	1.77 (6.7)	20.7 (9.4)
KB147X25	1	40	61.02 (1,550)	15.0 (381)	8.7 (221)	4.0 (102)	DN 25	2.27 (8.6)	23.4 (10.6)
KB337X40	3	30	51.58 (1,310)	13.4 (340)	13.8 (351)	6.6 (168)	DN 40	4.70 (17.8)	47.2 (21.4)
KB347X40	3	40	61.42 (1,560)	13.4 (340)	13.8 (351)	6.6 (168)	DN 40	6.10 (23.1)	51.6 (23.4)
KB537X50	5	30	52.17 (1,325)	12.2 (310)	16.7 (423)	8.6 (219)	DN 50	7.69 (29.1)	48.5 (22.0)
KB547X50	5	40	62.01 (1,575)	12.2 (310)	16.7 (423)	8.6 (219)	DN 50	10.09 (38.2)	52.9 (24.0)
KB837X50	8	30	51.58 (1,310)	12.2 (310)	17.7 (449)	10.8 (273)	DN 50	13.3 (49.7)	72.8 (33)
KB847X50	8	40	61.42 (1,560)	12.2 (310)	17.7 (449)	10.8 (273)	DN 50	16.88 (63.9)	79.4 (36)
KB123765	12	30	56.30 (1,430)	12.8 (326)	21.5 (547)	13.8 (350)	DN 65	23.51 (89)	145.5 (66)
KB124765	12	40	66.14 (1,680)	12.8 (326)	21.5 (547)	13.8 (350)	DN 65	29.85 (113)	154.3 (70)
KB183765	18	30	57.09 (1,450)	12.8 (325)	23.8 (604)	15.8 (400)	DN 65	30.38 (115)	149.9 (68)
KB184765	18	40	66.93 (1,700)	12.8 (325)	23.8 (604)	15.8 (400)	DN 65	38.57 (146)	163.1 (74)
KB243780	24	30	58.07 (1,475)	12.2 (310)	24.3 (616)	17.7 (450)	DN 80	39.89 (151)	209.4 (95)
KB244780	24	40	67.91 (1,725)	12.2 (310)	24.3 (616)	17.7 (450)	DN 80	50.19 (190)	220.5 (100)
KB303780	30	30	59.06 (1,500)	12.2 (310)	28.0 (712)	21.7 (550)	DN 80	62.08 (235)	240.3 (109)
KB304780	30	40	68.90 (1,750)	12.2 (310)	28.0 (712)	21.7 (550)	DN 80	77.40 (293)	257.9 (117)

Article no.	Qty	Cartridge length	Fluid group 1				Fluid group 2			
			Perm. Pressure psi (bar) at 302 °F (150 °C)		Perm. Pressure psi (bar) at 104 °F (40 °C)		Perm. Pressure psi (bar) at 302 °F (150 °C)		Perm. Pressure psi (bar) at 104 °F (40 °C)	
			Liquid	Gas, steam	Liquid	Gas, steam	Liquid	Gas, steam	Liquid	Gas, steam
KB117X25	1	10	108.8 (7.5)	108.8 (7.5)	145.0 (10)	145.0 (10)	108.8 (7.5)	108.8 (7.5)	145.0 (10)	145.0 (10)
KB127X25	1	20	108.8 (7.5)	108.8 (7.5)	145.0 (10)	145.0 (10)	108.8 (7.5)	108.8 (7.5)	145.0 (10)	145.0 (10)
KB137X25	1	30	108.8 (7.5)	108.8 (7.5)	145.0 (10)	145.0 (10)	108.8 (7.5)	108.8 (7.5)	145.0 (10)	145.0 (10)
KB147X25	1	40	108.8 (7.5)	84.1 (5.8)	145.0 (10)	84.1 (5.8)	108.8 (7.5)	108.8 (7.5)	145.0 (10)	145.0 (10)
KB337X40	3	30	108.8 (7.5)	40.6 (2.8)	145.0 (10)	40.6 (2.8)	108.8 (7.5)	108.8 (7.5)	145.0 (10)	145.0 (10)
KB347X40	3	40	108.8 (7.5)	30.5 (2.1)	108.8 (7.5)	108.8 (7.5)	145 (10)	108.8 (7.5)	145.0 (10)	124.7 (8.6)
KB537X50	5	30	108.8 (7.5)	24.7 (1.7)	145.0 (10)	24.7 (1.7)	108.8 (7.5)	98.6 (6.8)	145.0 (10)	98.6 (6.8)
KB547X50	5	40	108.8 (7.5)	18.9 (1.3)	108.8 (7.5)	18.9 (1.3)	108.8 (7.5)	75.4 (5.2)	145.0 (10)	75.4 (5.2)
KB837X50	8	30	108.8 (7.5)	14.5 (1.0)	145.0 (10)	14.5 (1.0)	108.8 (7.5)	58.0 (4.0)	145.0 (10)	58.0 (4.0)
KB847X50	8	40	108.8 (7.5)	10.2 (0.7)	145.0 (10)	10.2 (0.7)	108.8 (7.5)	45.0 (3.1)	145.0 (10)	45.0 (3.1)
KB123765	12	30	101.5 (7.0)	7.3 (0.5)	130.5 (9.0)	7.3 (0.5)	101.5 (7.0)	31.9 (2.2)	130.5 (9.0)	31.9 (2.2)
KB124765	12	40	101.5 (7.0)	7.3 (0.5)	130.5 (9.0)	7.3 (0.5)	101.5 (7.0)	24.7 (1.7)	130.5 (9.0)	24.7 (1.7)
KB183765	18	30	89.9 (6.2)	7.3 (0.5)	116.0 (8.0)	7.3 (0.5)	89.9 (6.2)	24.7 (1.7)	116.0 (8.0)	24.7 (1.7)
KB184765	18	40	89.9 (6.2)	7.3 (0.5)	116.0 (8.0)	7.3 (0.5)	89.9 (6.2)	18.9 (1.3)	116.0 (8.0)	18.9 (1.3)
KB243780	24	30	89.9 (6.2)	18.9 (1.3)	116.0 (8.0)	18.9 (1.3)	89.9 (6.2)	89.9 (6.2)	116.0 (8.0)	94.3 (6.5)
KB244780	24	40	89.9 (6.2)	14.5 (1.0)	116.0 (8.0)	14.5 (1.0)	89.9 (6.2)	75.4 (5.2)	116.0 (8.0)	75.4 (5.2)
KB303780	30	30	89.9 (6.2)	11.6 (0.8)	116.0 (8.0)	11.6 (0.8)	89.9 (6.2)	60.9 (4.2)	116.0 (8.0)	60.9 (4.2)
KB304780	30	40	89.9 (6.2)	8.7 (0.6)	116.0 (8.0)	8.7 (0.6)	89.9 (6.2)	49.3 (3.4)	116.0 (8.0)	49.3 (3.4)

BECO INTEGRA CART KB filter cartridge housings with quick closure and with clamp screws



1 to 8 fold cartridge housing
(design with quick closure)



12 to 30 fold cartridge housing
(design with clamp screws)



Powering Business Worldwide

North America
44 Apple Street
Tinton Falls, NJ 07724
Toll Free: 800 656-3344
(North America only)
Tel: +1 732 212-4700

Europe/Africa/Middle East
Auf der Heide 2
53947 Nettersheim, Germany
Tel: +49 2486 809-0

Friedensstraße 41
68804 Altlußheim, Germany
Tel: +49 6205 2094-0

An den Nahewiesen 24
55450 Langenlonsheim, Germany
Tel: +49 6704 204-0

China
No. 3, Lane 280,
Linhong Road
Changning District, 200335
Shanghai, P.R. China
Tel: +86 21 5200-0099

Singapore
100G Pasir Panjang Road
#07-08
Singapore 118523
Tel: +65 6825-1668

Brazil
Rua Clark, 2061 - Macuco
13279-400 - Valinhos, Brazil
Tel: +55 11 3616-8400

**For more information, please
email us at filtration@eaton.com
or visit www.eaton.com/filtration**

© 2018 Eaton. All rights reserved. All trademarks and registered trademarks are the property of their respective owners. All information and recommendations appearing in this brochure concerning the use of products described herein are based on tests believed to be reliable. However, it is the user's responsibility to determine the suitability for his own use of such products. Since the actual use by others is beyond our control, no guarantee, expressed or implied, is made by Eaton as to the effects of such use or the results to be obtained. Eaton assumes no liability arising out of the use by others of such products. Nor is the information herein to be construed as absolutely complete, since additional information may be necessary or desirable when particular or exceptional conditions or circumstances exist or because of applicable laws or government regulations.

EN
1 A 7.2.5
03-2018