

Round Tapered Steel Poles

NEC/CEC:
Rated for Ordinary (Unclassified) Locations

Applications

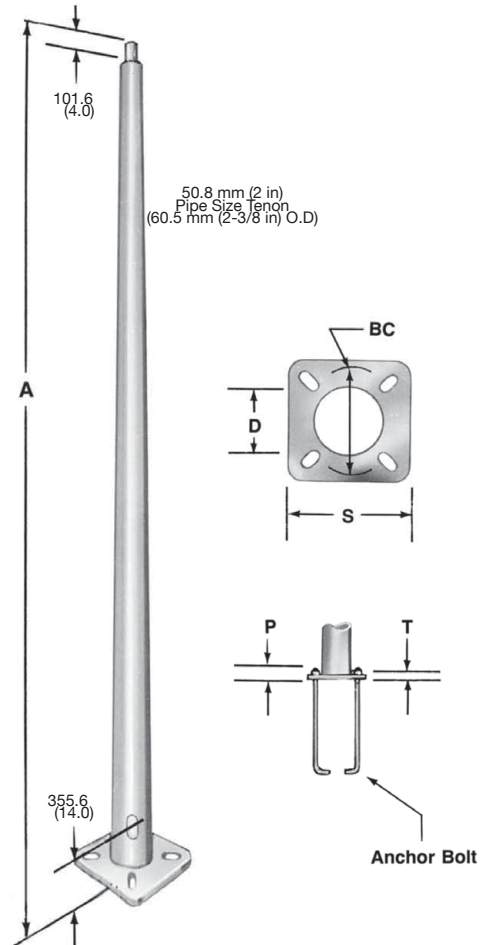
- To mount single or multiple luminaires to heights from 6.1 to 11.9 m (20 to 39 ft).

Features

- 50.8 mm (2 in) pipe size tenon accepts a single luminaire, or 2, 3, or 4 luminaires with appropriate pole-top mounting bracket.
- Shafts are tapered, one-section design of 11 gauge commercial quality steel with a minimum yield strength of 55,000 psi after fabrication.
- Base plates are of structural quality hot-rolled steel with guaranteed minimum yield strength of 36,000 psi.
- A 76.2 x 127.0 mm (3 in x 5 in) or 101.6 x 152.4 mm (4 in x 6 in) reinforced handhole with cover and grounding lug 55.6 mm (14 in) above the pole base is standard.
- Anchor bolts are furnished complete with nuts and washers, and are of 55,000 psi steel.

Standard Materials/Finishes

- Lighting poles are steel with bronze powder coat finish (to match Appleton fixtures) or galvanized finish



Mounting Height m (ft) A	Average Pole Weight kg (lb)	Pole Shaft Size mm (in)		Base Plate mm (in)			Anchorage: Anchor Bolt Dia. X Length mm (in)	Catalog Number	
		Bottom S	Top	Base Size (Square)	Bolt Circle	Base Thickness		Bronze	Galvanized
6.1 (20)	73 (160)	165.1 (6.5)	94.0 (3.7)	279.4 (11)	254.0 (10.0)	25.4 (1.0)	25x1016 (1x40)	G-PRTH-20	G-PRTH-20-GAL
7.6 (25)	95 (210)	177.8 (7.0)	88.9 (3.5)	279.4 (11)	254.0 (10.0)	25.4 (1.0)	25x1016 (1x40)	G-PRTH-25	G-PRTH-25-GAL
9.1 (30)	118 (260)	203.2 (8.0)	96.5 (3.8)	304.8 (12)	279.4 (11.0)	25.4 (1.0)	25x1016 (1x40)	G-PRTH-30	G-PRTH-30-GAL
10.7 (35)	143 (315)	215.9 (8.5)	96.5 (3.8)	304.8 (12)	292.1 (11.5)	25.4 (1.0)	25x1016 (1x40)	G-PRTH-35	G-PRTH-35-GAL
11.9 (39)	168 (370)	228.6 (9.0)	88.9 (3.5)	330.2 (13)	317.5 (12.5)	25.4 (1.0)	25x1016 (1x40)	G-PRTH-39	G-PRTH-39-GAL

① Dimensions may vary—Consult your local sales representative for specifications.
② Anchor bolts and templates are preshipped ahead of lighting poles.