

## Type DF Flush Flanged Diaphragm Seal

### FEATURES

- Flush mounted diaphragm seal prevents clogging
- Engineered to minimize the use of expensive wetted materials
- Continuous-duty construction
- Available with a wide range of wetted materials

### TYPICAL USES

- Petrochemical/Refinery
- Chemicals
- Wastewater



(1" shown)

### SPECIFICATIONS

#### Wetted Materials

Diaphragm:	316L SS
	Monel® 400
	Tantalum
	Hastelloy® C-276
	Halar® coated 316L SS
	Gold plated 316 SS

#### Non Wetted Materials

Top Housing:	316L SS
Flange:	316L SS

#### Connections

Instrument:	¼ NPT or ½ NPT female
	Port for direct weld
Process:	ASME-1", 1½", 2", 3", 4"
Flange:	Raised face or ring joint
Flange Ratings	ASME 150, 300, 600, 900, 1500, 2500

### KEY BENEFITS

- Compact design eliminates need for lower housing
- Protects process and instrumentation with materials to fit your application

### ATEX

Conformity according to RL 94/9/EC appendix X for mechanical equipment in potential hazardous areas:

Optional marking

⊕ 0044 CE II 2 GD c II TX

File no. 35101282 at notified body 0044, TÜV NORD CERT

The temperature class will be determined by the used measuring device.

## Type DF Flush Flanged Diaphragm Seal

### ORDERING CODE

Example: 

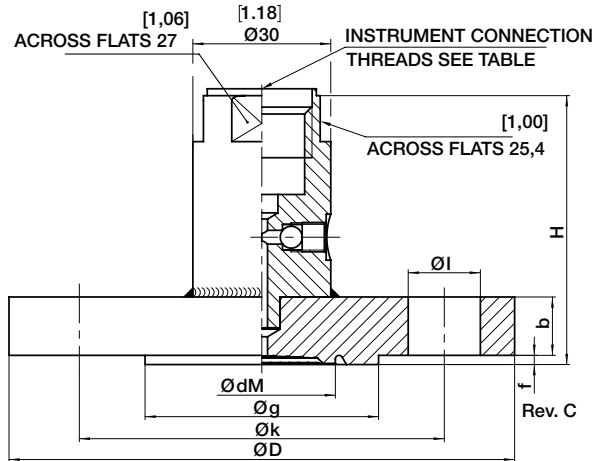
10	A	DF	S	S	04T	150	RF	XCK	MQ
----	---	----	---	---	-----	-----	----	-----	----

<b>Size</b>									
1"	10								
1.5"	15								
2"	20								
3"	30								
4"	40								
<b>Flange Specifications</b>									
ASME		A							
<b>Seal Type</b>									
Flush Diaphragm			DF						
<b>Diaphragm Material</b>									
316L				S					
Monel 400				P					
Tantalum				U					
Hastelloy C-276				H					
Halar-coated 316L				SH					
Teflon-coated 316L				ST					
Gold-plated 316L				W					
<b>Flange Material</b>									
316L					S				
<b>Instrument Connection</b>									
1/4 NPT female					02T				
1/2 NPT female					04T				
<b>Flange Class</b>									
150						150			
300						300			
600						600			
900						900			
1500						1500			
2500						2500			
<b>Flange Form*</b>									
Raised Face							RF		
Ring Joint							RJ		
<b>Fill Fluid</b>									
Silicone 50cST								CK	
Silicone 10cST								DJ	
Halocarbon								CF	
Syltherm								HA	
<b>Options</b>									
Cleaned for Oxygen Service									6B
Instrument welded to seal									DU
Wired tags									NH
3.1 Traceability									C3
NACE certificate									CD5
Positive material ID									MQ
Dual 1/2" flush ring									DB
ATEX Approval									AT

\*Contact Ashcroft for other flange forms

## Type DF Flush Flanged Diaphragm Seal

### GENERAL DIMENSIONS



SIZE	PRESSURE CLASS	ØD	b	Øg	ØdM	f	ØK	ØI	H	WGT. (lbs)
1"	150	4.33	0.50	2.00	1.26	0.08	3.13	0.63 x 4	2.29	2.20
	300	4.92	0.63				3.50	0.75 x 4	2.42	3.31
	400/600		0.69			1.00 x 4	2.68	4.41		
	900/1500	5.91	1.13				0.28	4.00	3.11	8.82
	2500	6.30	1.38				4.25	3.37	11.02	
1 1/2"	150	4.92	0.63	2.87	1.73	0.08	3.87	0.63 x 4	2.42	4.41
	300	6.10	0.75				4.50	0.87 x 4	2.54	6.61
	400/600		0.88			1.13 x 4	2.87	7.72		
	900/1500	7.09	1.25				0.28	4.87	3.24	13.23
	2500	8.07	1.75				5.75	1.25 x 4	3.74	23.15
2"	150	5.91	0.69	3.63	2.24	0.08	4.75	0.75 x 4	2.48	5.51
	300	6.50	0.81				5.00	0.75 x 8	2.62	7.72
	400/600		1.00			1.13 x 8	2.99	9.92		
	900/1500	8.46	1.50				0.28	6.50	3.49	23.15
	2500	9.25	2.00				6.75	3.99	35.27	
3"	150	7.48	0.88	5.00	3.46	0.08	6.00	0.75 x 4	2.67	12.13
	300	8.27	1.05				6.63	0.87 x 4	2.85	15.43
	400/600		1.25			1.00 x 8	3.25	19.84		
	900	9.45	1.50				0.28	7.50	3.49	29.76
	1500	10.43	1.88				8.00	1.25 x 8	3.88	42.99
	2500	12.01	2.63				9.00	1.37 x 8	4.61	77.16
4"	150	9.06	0.88	6.19	3.46	0.08	7.50	0.75 x 8	2.67	16.53
	300	10.04	1.19				7.87	0.87 x 8	2.98	26.46
	400		1.38			1.00 x 8	3.37	30.86		
	600	10.83	1.50				0.28	8.50	3.49	38.58
	900	11.42	1.75				9.25	1.25 x 8	3.74	60.63
	1500	12.20	2.13			9.50	1.37 x 8	4.11	66.14	
	2500	13.98	3.00			10.75	1.63 x 8	4.99	119.05	