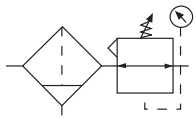


Precision Filter / Regulator PC6

= "Most Popular"



PC6-02-000

Precision Filter / Regulator

The PC6 models are general purpose regulators specifically designed for applications that require reliable performance and accurate pressure control.

Features

- **Stable Output** – Aspirator Design Minimizes “Droop” at Higher Flow Levels
- **Accuracy** – High Diaphragm-to-Valve-Area Ratio Combined with Unbalanced Valve Provides High Precision with Minimal Initial Pressure Droop
- **Quality Air** – 5 Micron Filtration for Superior Protection of Critical Downstream Equipment
- **Easy Maintenance** – May be Disassembled and Serviced without Removal from Air Line
- **Competitive** – Compact, Integral Filter / Regulator Can be Used Where Limited Space or Lower Cost is Required

Specifications

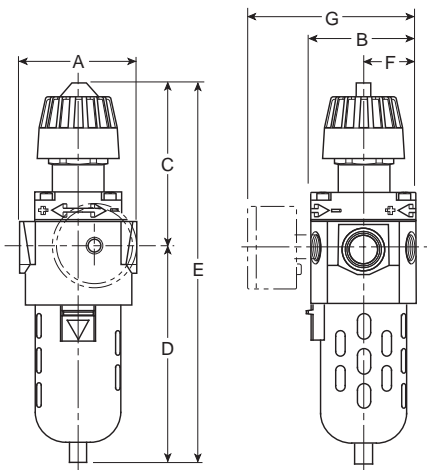
Flow Capacity*	PC6	19.0 SCFM (9.0 dm ³ /s)
Gauge Port (2)	NPT / BSPT-Rc	1/4
Maximum Supply Pressure	Plastic Bowl Metal Bowl	150 PSIG (10.3 bar) 200 PSIG (13.8 bar)
Port Size	NPT / BSPP-G	1/4, 3/8, 1/2
Operating Temperature	Plastic Bowl Metal Bowl	32° to 125°F (0° to 52°C) 32° to 150°F (0° to 65.5°C)
Weight		2.4 lb. (1.1 kg)

* Inlet pressure 100 PSIG (6.9 bar).
Secondary pressure PC6, 45 PSIG (3.1 bar).

“F” Series Filters, Type “A” 5 micron elements: All Wilkerson Type “A” 5 micron elements **meet or exceed ISO** Class 3 for maximum particle size and concentration of solid contaminants.

Materials of Construction

Body	Zinc	
Bonnet, Knob	PBT	
Bowls	Plastic Bowl Metal Bowl	Polycarbonate Zinc
Diaphragm	Nitrile / Zinc	
Filter Element	Polypropylene	
Panel Nut	Acetal	
Seals	Plastic Bowl	Nitrile
Springs	Steel	
Stem, Element Retainer and Deflector	Acetal	
Valve Assembly	Brass / Nitrile	



NOTE: 1.31" Dia. (33.3 mm) hole required for panel nut mounting.

Dimensions

Models	Inches (mm)	A	B	C	D	E	F	G
Standard Unit PC6-XX-000		3.00 (76)	2.64 (67)	3.95 (100)	5.43 (137.9)	9.38 (238)	1.34 (34)	4.18 (106)
Automatic Drain PC6-XX-F00		3.00 (76)	2.64 (67)	3.95 (100)	5.55 (140.9)	9.50 (241)	1.34 (34)	4.18 (106)
Automatic Drain PC6-XX-G00		3.00 (76)	2.64 (67)	3.95 (100)	6.15 (156)	10.10 (256.5)	1.34 (34)	4.18 (106)

⚠ WARNING

**Product rupture can cause serious injury.
Do not connect regulator to bottled gas.
Do not exceed maximum primary pressure rating.**

CAUTION:

REGULATOR PRESSURE ADJUSTMENT – The working range of knob adjustment is designed to permit outlet pressures within their full range. Pressure adjustment beyond this range is also possible because the knob is not a limiting device. This is a common characteristic of most industrial regulators, and limiting devices may be obtained only by special design.

For best performance, regulated pressure should always be set by increasing the pressure up to the desired setting.

= "Most Popular"

Replacement Bowl Kits

- Metal Bowl –
 - Automatic Drain PRP-96-006
 - Manual Drain PRP-95-070
- Metal Bowl / Sight Gauge, Brass Petcock Drain PRP-95-071
- Plastic Bowl, FlexTip Drain FRP-95-017
- Plastic Bowl / Bowl Guard –
 - Automatic Drain FRP-95-015
 - FlexTip Drain FRP-95-014

Replacement Element Kits

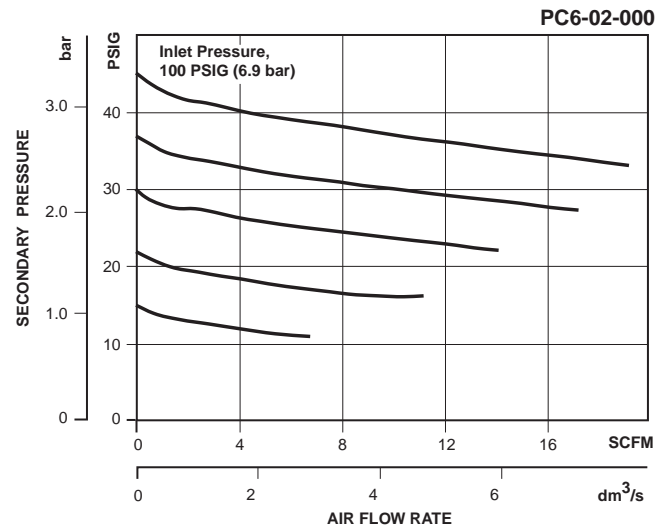
- Type "A", 5 Micron FRP-95-160

Replacement Kits

- Diaphragm Assembly –
 - Non-relieving, Nitrile PRP-95-055
 - Self-relieving, Nitrile PRP-95-025
- Spring, Regulating –
 - 0 to 15 PSIG (1 bar) RRP-95-233
 - 0 to 30 PSIG (2,1 bar) RRP-95-916
 - 0 to 50 PSIG (0 to 3,4 bar) RRP-95-222
 - 0 to 125 PSIG (0 to 8,5 bar) RRP-95-224

Accessories

- Automatic Mechanical Drain
 - 1/8 NPT, Fluorocarbon GRP-95-981
 - 1/8 NPT, Nitrile GRP-95-973
- Drain, Manual Override for
 - Auto Float Drain, 1/8 NPT GRP-96-000
- FlexTip Drain FRP-95-610
- Gauge, Pressure, 2" Dial Face, 1/4 NPT, CBM –
 - 0 to 30 PSIG (0 to 2,1 bar) K4520N14030W
 - 0 to 60 PSIG (0 to 4 bar) K4520N14060W
 - 0 to 120 PSIG (0 to 8,3 bar) K4520N14160W
 - 0 to 160 PSIG, 1-3/4" Digital Round, 1/4" NPT .. K4517N14160D
- Panel Nut, Plastic GPA-95-032
- Tamper Resistant Kit RPA-95-006
- Wall Mounting Bracket –
 - Gauge Port Adapter, 1/4 NPT RRP-95-590
 - L-Type w/Panel Mount Nut GPA-95-011



B
Filters, Regulators, Lubricators

Ordering Information

Model Type	Port Size	Standard Unit 0 to 50 PSIG (0 to 3.4 bar)	Automatic Mechanical Drain	Sight Gauge	High Pressure 0 to 125 PSIG (0 to 8.6 bar)	Low Pressure 0 to 30 PSIG (0 to 2.1 bar)	Metal Bowl	Fluorocarbon Seals
Relieving	1/4	PC6-02-000	PC6-02-F00	PC6-02-G00	PC6-02-H00	PC6-02-L00	PC6-02-M00	PC6-02-V00
	3/8	PC6-03-000	PC6-03-F00	PC6-03-G00	PC6-03-H00	PC6-03-L00	PC6-03-M00	PC6-03-V00
	1/2	PC6-04-000	PC6-04-F00	PC6-04-G00	PC6-04-H00	PC6-04-L00	PC6-04-M00	PC6-04-V00
Non-relieving	1/4	PC6-02-N00	PC6-02-FN0	PC6-02-GN0	PC6-02-HN0	PC6-02-LN0	PC6-02-MN0	PC6-02-VN0
	3/8	PC6-03-N00	PC6-03-FN0	PC6-03-GN0	PC6-03-HN0	PC6-03-LN0	PC6-03-MN0	PC6-03-VN0
	1/2	PC6-04-N00	PC6-04-FN0	PC6-04-GN0	PC6-04-HN0	PC6-04-LN0	PC6-04-MN0	PC6-04-VN0

Options - To order an option supplied with the unit model, add the appropriate coded suffix letter in the designated position of the model number.