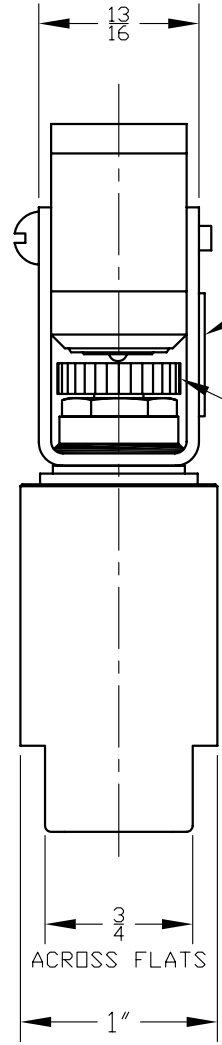
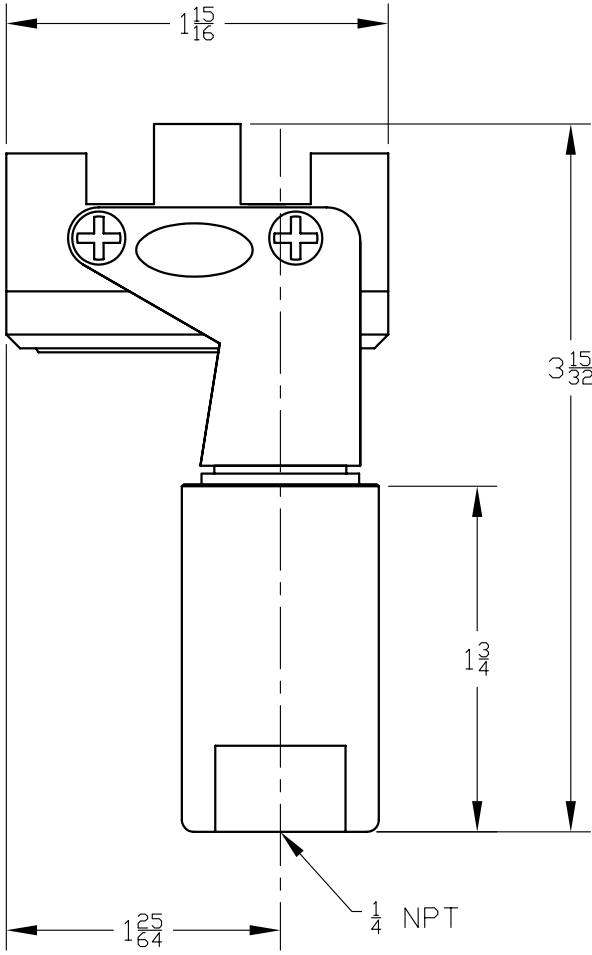


SPECIFICATIONS:

TYPE: J40 MODEL 218
 RANGE: 0 TO 30" Hg Vac.
 ELECTRICAL RATING: 15 A. 125/250 VAC.
 PROOF PRESSURE: 5 psi
 DEAD BAND: 1 TO 2.5" Hg.
 WETTED MATERIAL: Ph Bronze & BRASS.



LABEL

ADJUSTMENT: RIGHT-HAND THREAD
 TURN IN FOR LOWER VACUUM SETTING.


ACROSS FLATS

SYM	DESCRIPTION	DATE	DWN	APPD
D	REMOVED STOCK NUMBER FROM TITLE BLOCK. ECN#E2608	02-11-08	DWD	JM
C	PROOF PRESS. WAS 30' HG VAC ECN#E1452	11/2/05	AB	LK
B	REVISED RIGHT VIEW TO MATCH M DWG. ECN#C8989	11-9-00	S.R.	JJM
A	FIRST ISSUE WAS ON DRAWING NO. A-7403. ECN#C5729	9-4-96	P.W.	M.D.J.
REVISIONS				

ORIGINAL DATE 8-29-96
DRWN PETER WEILER
CHKD PETER WEILER
APPD M.D. JOHNSON
UNLESS OTHERWISE SPECIFIED DIMENSIONS ARE IN INCHES TOLERANCES ON FRACTIONS ±1/64 2 PLACE DEC 3 PLACE DEC ANGLES ±0.010 ±0.005 ±1/2° DO NOT SCALE THIS DRAWING

TITLE	J40-218
SCALE	FULL

DF001
REV. C



UNITED ELECTRIC
 CONTROLS COMPANY
 WATERTOWN * MASSACHUSETTS

DWG NO
 A-13374