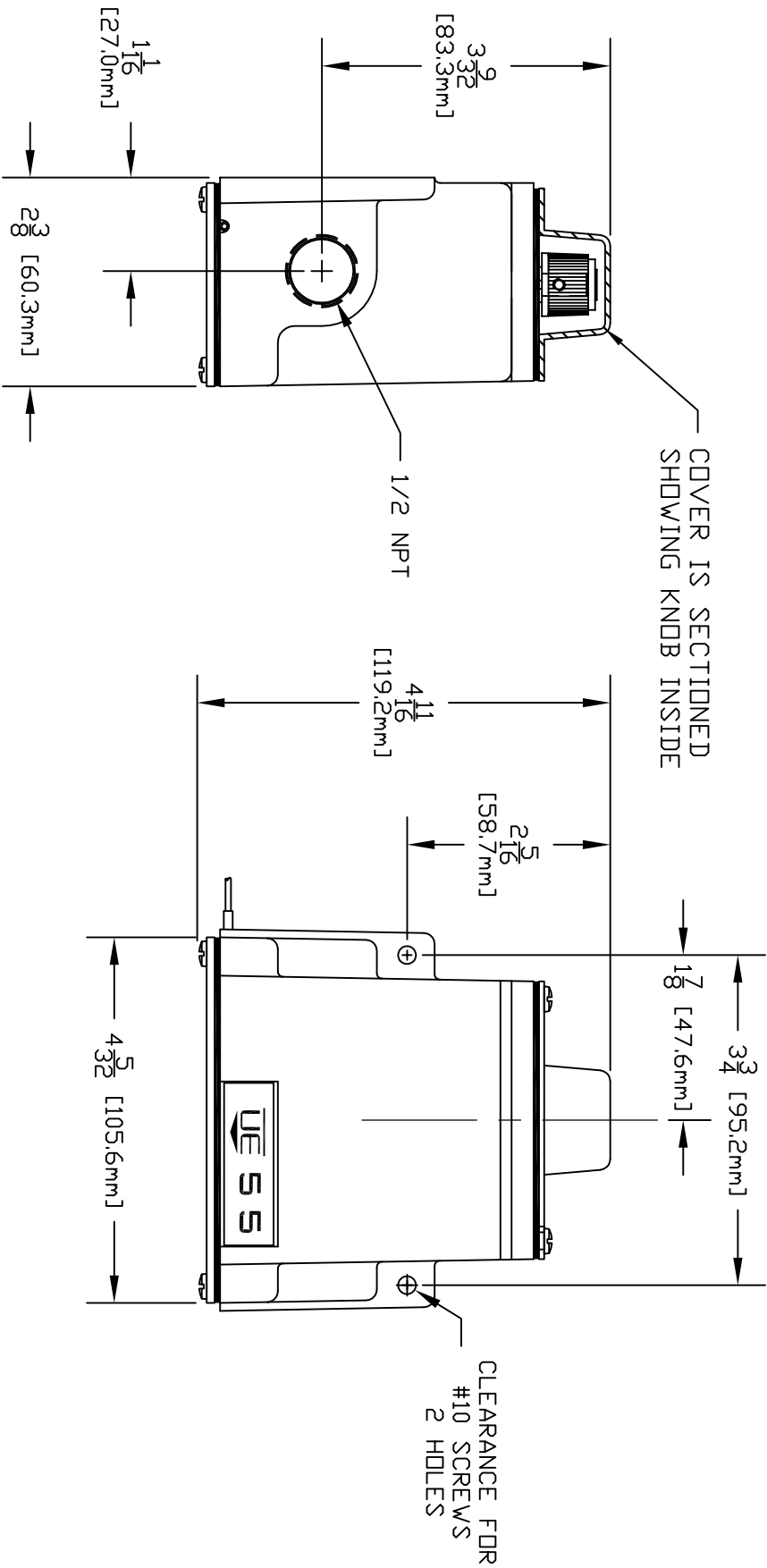
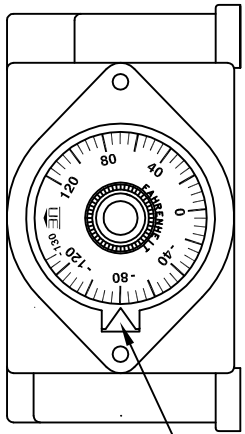


TOP VIEW WITH COVER REMOVED



U	ADDED TOP VIEW AND SECTIONED THE COVER TO SHOW KNDB IN SIDE VIEW.	1-27-12	RCI	WK
T	REDRAWN.	7-23-97	S.R.	A.M.
SYM	DESCRIPTION	DATE	DWN	APPD

ORIGINAL DATE	10-26-72
DRWN	P. WEILER
CHKD	A.J. MUSTO JR.
APPD	AJM

TITLE	E55 E20 TD E23
SCALE	0.5:1

DF001 REV. B	UNITED ELECTRIC CONTROLS COMPANY WATERTOWN * MASSACHUSETTS
DWG NO	A-11076

UNLESS OTHERWISE SPECIFIED DIMENSIONS ARE IN INCHES TOLERANCES ON FRACTIONS ±1/64 2 PLACE DEC 3 PLACE DEC ANGLES ±1/2° ±.005
DD NOT SCALE THIS DRAWING

REVISIONS
