

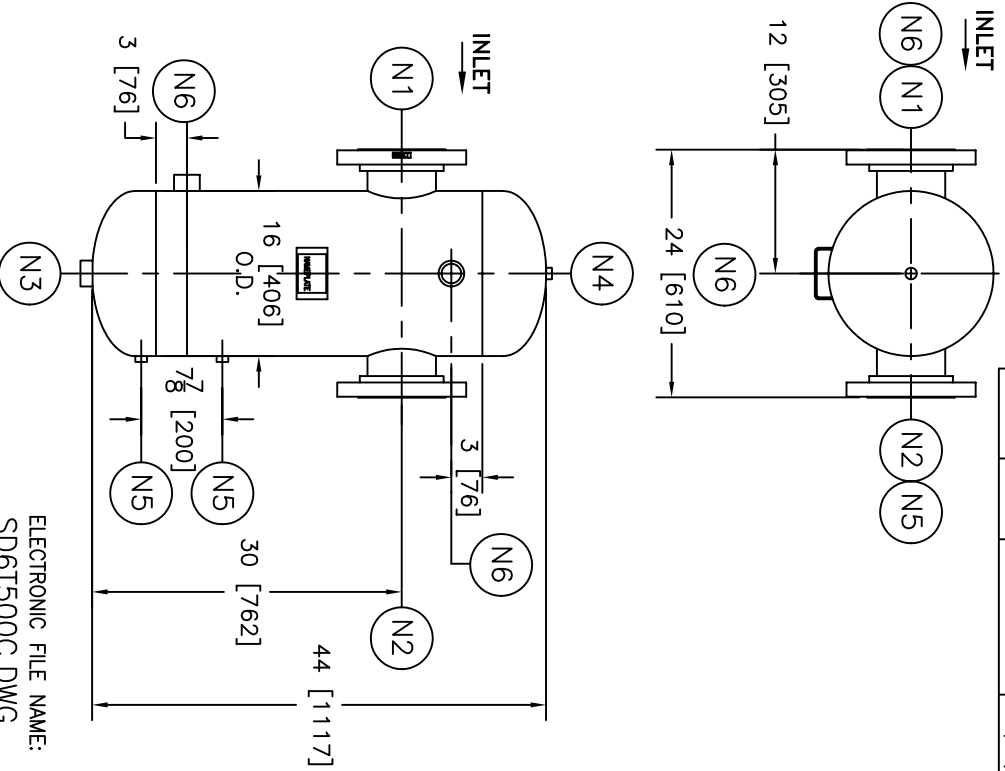
NOZZLE SCHEDULE		
ITEM	QTY.	NAME DESCRIPTION
N1	1	6" - 300# RESO. B16.5 W/ XH. PIPE
N2	1	6" - 300# RESO. B16.5 W/ XH. PIPE
N3	1	1-1/2" - NPT 3000# COUPLING
N4	1	1/2" - NPT 3000# COUPLING
N5	2	W.G. CONNS. 1/2" - NPT 3000# COUPLING
N6	2	INSPECTION 1-1/2" - NPT 3000# COUPLING

REV	DATE	CHANGE	ECR	BY	APP
A	09/17/04	NEW RELEASE	C604	LH	VA
B	05/23/05	ADDED PART. NO. 6T500CM	D173	LH	ANB
C	11/1/05	REVISED TITLE BLOCK	D507	FM	LH

NOTES:

1. UNITS ARE TO BE DESIGNED, FABRICATED, & "U" STAMPED (AS REQUIRED) IN ACCORDANCE WITH ASME B & PV CODE, SECTION VIII, DIVISION 1 IN COMPLIANCE TO CURRENT PUBLISHED ADDENDA.
2. ALL DIMENSIONS ARE IN INCHES [MM].
3. ALL BOLT HOLES ARE TO STRADDLE NATURAL CENTERLINES.
4. SHIPPING WEIGHT: 380 POUNDS.
5. DESIGN DATA:

- DESIGN PRESSURE- 500 PSIG
- DESIGN TEMPERATURE- 650°F
- MIN. DESIGN METAL TEMP.- -20°F AT 500 PSIG
- HYDROTEST PRESSURE- 650 PSIG
- CORROSION ALLOWANCE- 0 INCHES
- 6. MATERIAL: CARBON STEEL.



ELECTRONIC FILE NAME:  
SD6T500C.DWG

TOLERANCES UNLESS OTHERWISE SPECIFIED  
PER ENGINEERING STANDARD ES--

UNAUTHORIZED USE, MANUFACTURE OR  
REPRODUCTION IN WHOLE OR IN PART IS  
PROHIBITED. DRAWING, DESIGN AND  
OTHER DISCLOSURES PROPERTY OF  
EATON FILTRATION, LLC

CUSTOMER:  
REG. NO.:  
P.O. NO.:  
TAG NO.:  
PART NO.: 6T500C/U/M

**EATON**

**EATON FILTRATION, LLC**  
900 FARMOUNT AVENUE, ELIZABETH, NEW JERSEY 07207

NAME: 6" TYPE "T" GAS/ LIQUID  
SEPARATOR, 300# FLG, C. STEEL

DRAWN	LH	DATE	09/17/04	CHECKED	FM	DATE	09/17/04	
APP	VA	DATE	09/17/04	SCALE	NTS	ECR	C604	
SIZE	DWG	NO	A	SD6T500C				REV
							C	